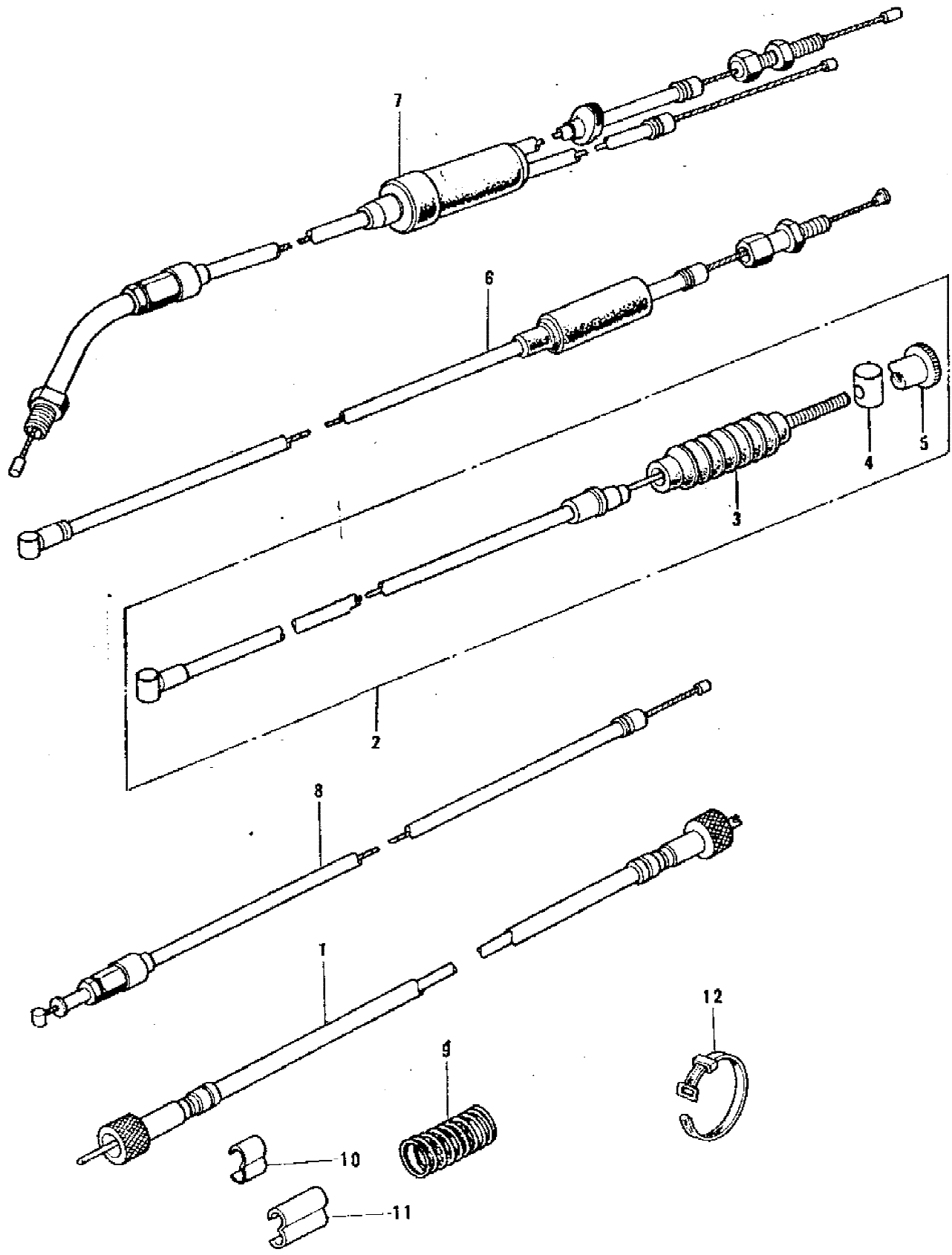
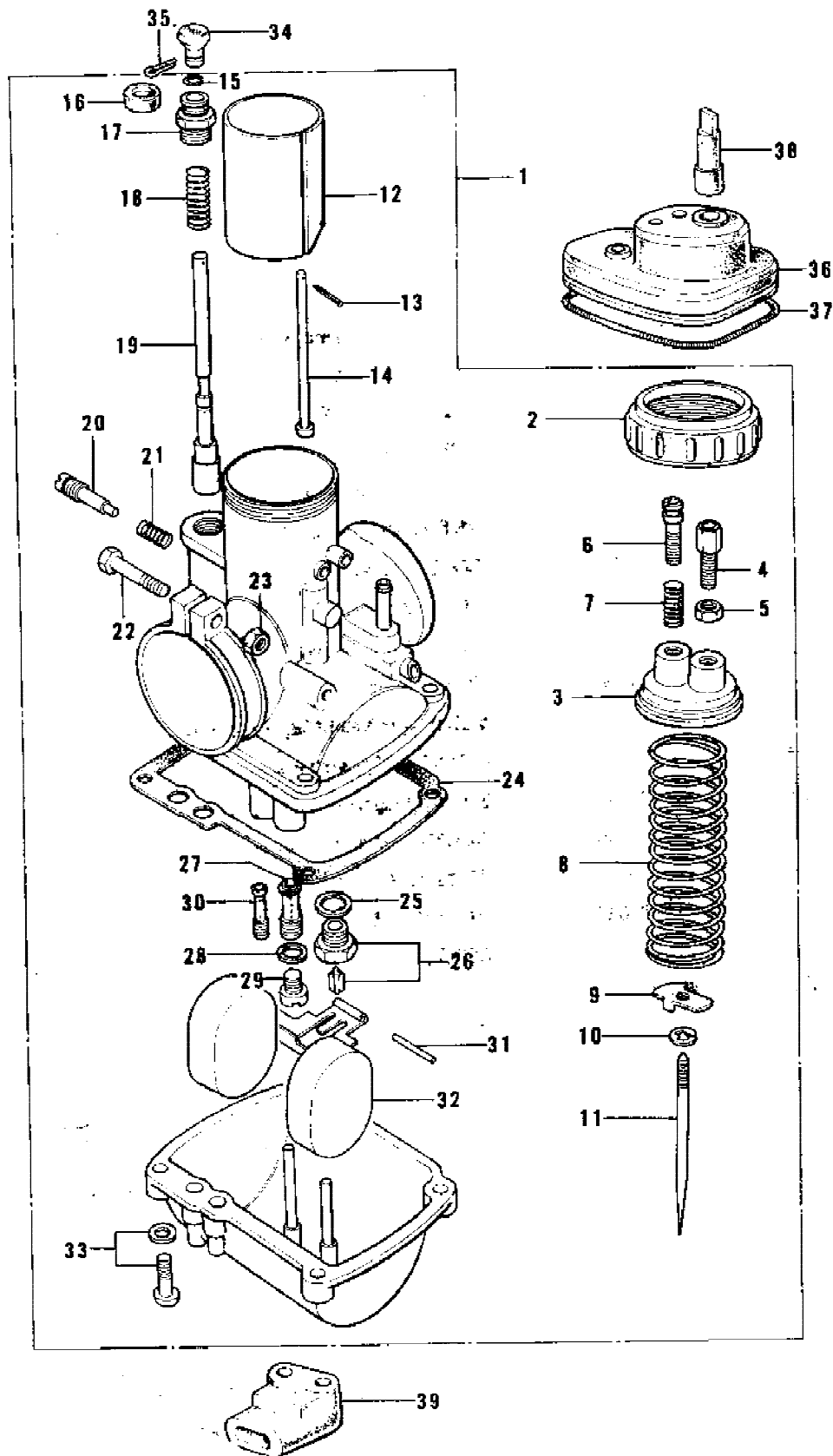


Ref #	Part Number	Qty	Description
1	18049-021	1	PIPE EXHAUST
2	18001-116	1	MUFFLER ASSY
3	18033-057	1	BAFFLE TUBE
4	220B0608	1	SCREW PAN HEAD 6X8
5	461F0600	1	WASHER SPRING 6MM
6	18043-008	1	CONNECTOR MUFFLER
7	18044-004-79	1	HOLDER-MFLR CONECT,CR
8	220B0625	2	SCREW PAN HEAD 6X25
9	11010-036	1	AIR CLEANER ASSY
10	112G0612	1	BOLT-UPSET,6X12
11	461F0600	1	WASHER SPRING 6MM
12	410B0600	1	WASHER PLAIN 6MM
13	11012-012	1	CAP A-AIR CLEANER
14	11011-009	1	BODY-AIR CLEANER
15	11013-027	1	ELEMENT,AIR,CLNR
16	11012-013	1	CAP AIR CLEANER B
17	92037-018	1	CLAMP AIR CLEANER
18	220B0625	1	SCREW PAN HEAD 6X25

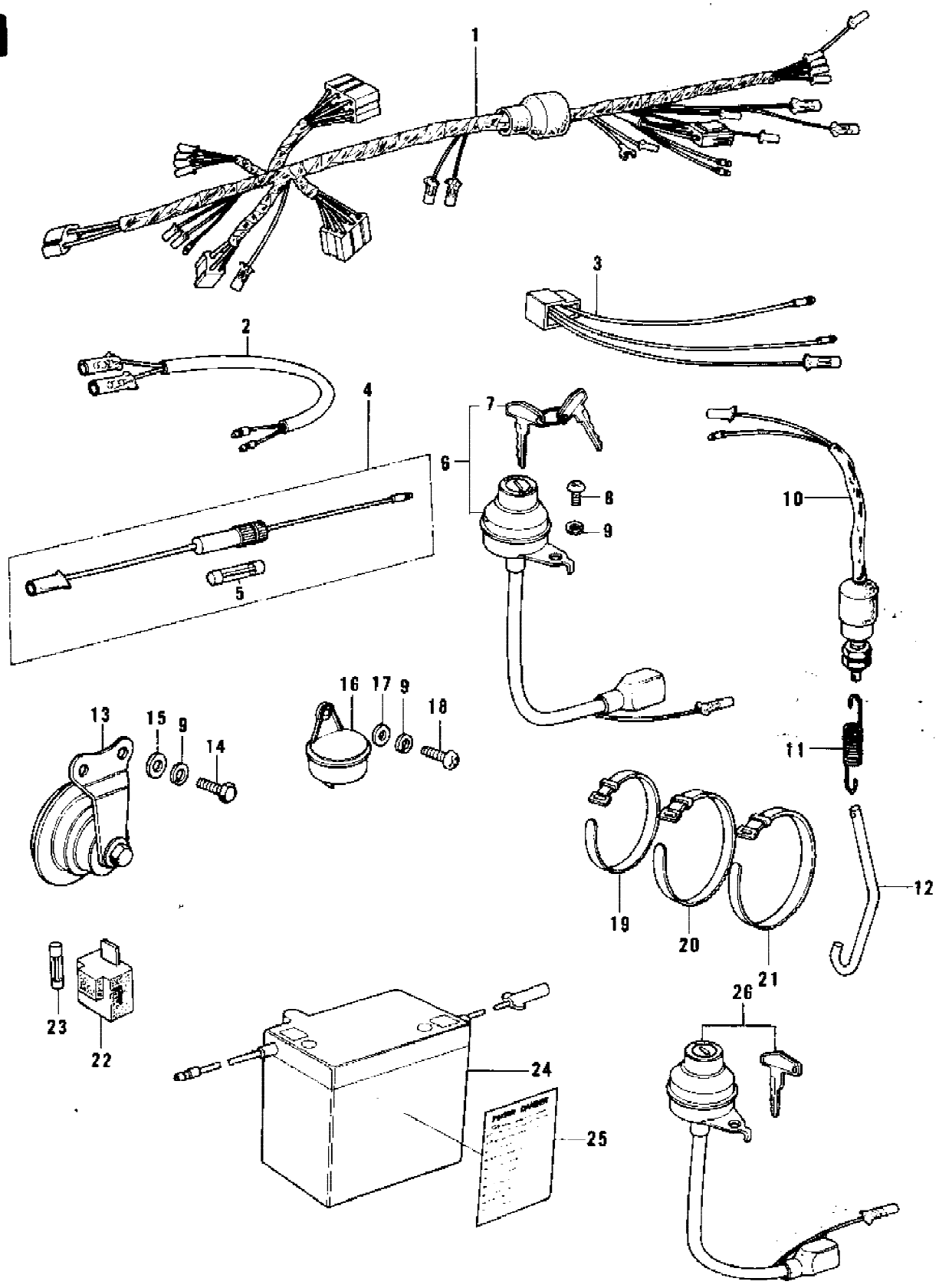


Ref #	Part Number	Qty	Description
1	54001-014	1	CABLE,SPEEDOMETER
2	54005-033	1	CABLE, FRONT BRAKE
3	54009-008	1	DUST COVER-BRKE CABLE
4	92043-082	1	JOINT-BRAKE ROD
5	92015-052	1	NUT-BRAKE ROD ADJUST
6	54011-075	1	CABLE,CLUTCH
7	54012-115	1	CABLE,CONTROL
8	54017-067	1	CABLE,STARTER
9	54025-004	1	SPRING,COIL
10	92037-069	1	CLAMP-CABLE
11	92037-069	2	CLAMP-CABLE
12	92072-030	1	BAND,SHORT



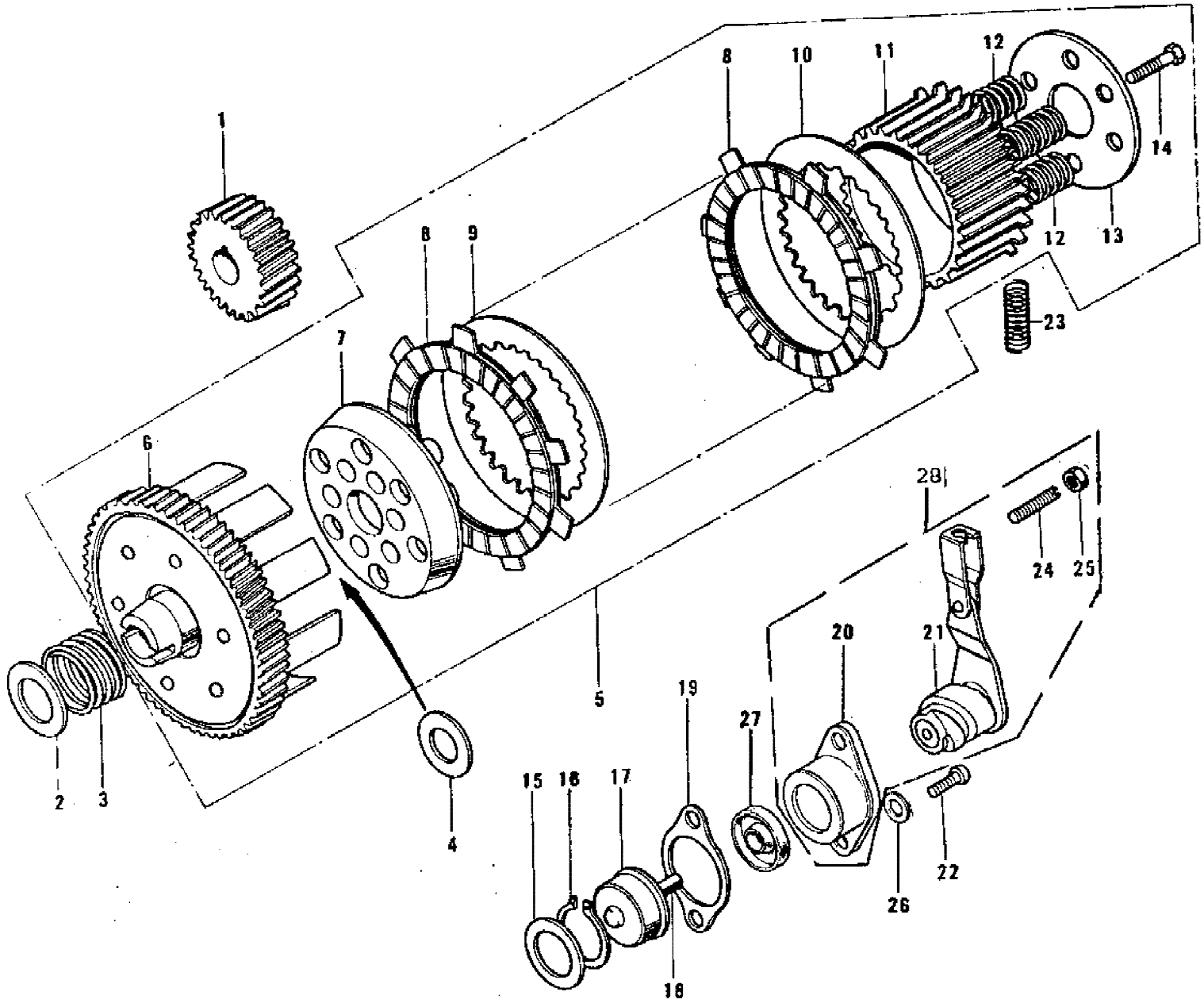
Ref #	Part Number	Qty	Description
1	16001-230	1	CARBURETOR ASSY,
2	16004-010	1	CAP MIXING CHAMBER
3	16005-005	1	TOP MIXING CHAMBER
4	16002-002	1	CABLE ADJUSTER
4	16002-017	1	ADJUSTER,CABLE KH100-B8
5	16003-004	1	NUT CABLE ADJUST LOCK
6	16021-002	1	SCREW,THROTTLE STOP
7	16022-005	1	SPRING THR STOP SCREW
8	16006-013	1	SPRING THROTTLE VALVE
9	16007-020	1	SPRING SEAT,THRTL TL
10	16008-010	1	CIRCLIP
11	16009-059	1	JET NEEDLE 4EJ7
12	16025-057	1	VALVE, THROTTLE CA, 2.0
13	550D1210	1	PIN COTTER 1.2X10
14	16024-012	1	ROD,THROTTLE VLV STP
15	92037-1077	1	CIRCLIP
16	16036-012	1	CAP,STARTER PLUNGER
17	16012-021	1	CAP,STARTER PLUNGER
18	16013-010	1	SPRING,STARTER PLUNGR
19	16016-012	1	PLUNGER,STARTER
20	16014-002	1	SCREW PILOT AIR ADJST
21	16022-007	1	SPRING-THR STOP SCREW
22	16010-004	1	SCREW CLAMP
23	311B0600	1	NUT 6MM
23	311B0600	1	NUT 6MM KH100-B8
24	16019-021	1	GASKET,FLOAT CHAMBER
25	16029-002	1	WASHER VALVE SEAT
26	16030-001	1	FLOAT VALVE ASSY
26	16030-009	1	FLOAT VALVE ASSY KH100-B8
27	16017-068	1	NEEDLE JET 0-2
28	16034-001	1	WASHER MAIN JET
29	92063-1032	1	MAIN JET,#77.5R STD
29	92063-108	1	MAIN JET NO 72.5R OPTION
29	92063-109	1	MAIN JET NO 75R OPTION
29	92063-1030	1	MAIN JET, #A80 OPTION
29	92063-124	1	MAIN JET NO 82.5R OPTION
30	92064-020	1	PILOT JET #17.5 ISO
31	16032-003	1	FLOAT PIN
32	16031-015	1	FLOAT
33	16033-012	4	SCREW-FLOAT CHAMBER
34	92077-022	1	KNOB,CARBURETOR
35	550D1615	1	PIN COTTER 1.6X15
36	14038-035	1	CAP,CARBURETOR
37	92081-047	1	SPRING COIL
38	16147-001	1	PLUG,CARBURETOR CAP
39	16136-007	1	GROMMET,OVER FLOW

FRONT

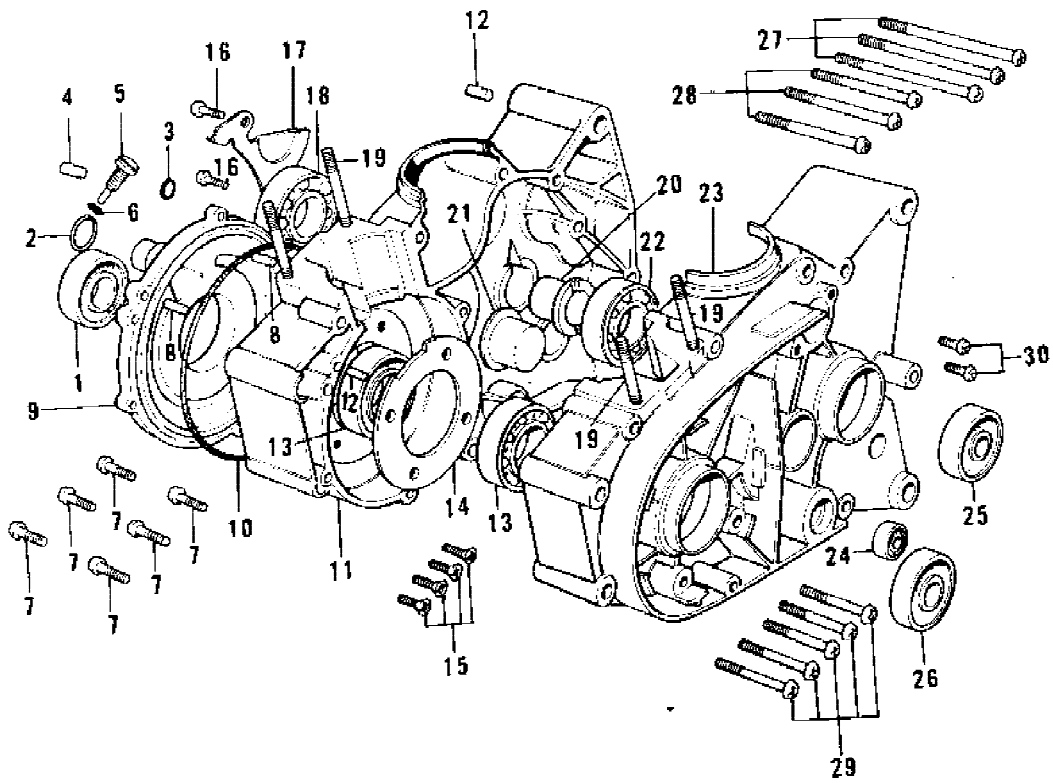


Ref #	Part Number	Qty	Description
1	26001-133	1	WIRING HARNESS,MAIN
2	26002-030	1	WIRING HARNESS-REAR
3	26011-072	1	WIRE, RECTIFIER LEAD
4	26004-025	1	FUSE ASSY
5	26006-007	1	FUSE 15A
6	27005-084	1	SWITCH,IGNITION
7	27008-034-21	1	KEY SET NO.321
7	27008-034-43	1	KEY SET NO.143
8	220B0612	1	SCREW PAN HEAD 6X12
9	461F0600	4	WASHER SPRING 6MM
10	27010-015	1	SWITCH-BRAKE LAMP
11	27011-006	1	SPRING BRAKE LAMP SW
12	27012-005	1	SPRING BRAKE LAMP SW
13	27003-072	1	HORN
14	112G0612	2	BOLT-UPSET,6X12
15	411B0600	2	WASHER PLAIN 6MM
16	27002-015	1	RELAY-TURN SIGNAL
17	92022-125	1	WASHER 6.5X20X1.6T
18	220B0616	1	SCREW PAN HEAD 6X16
19	92072-030	5	BAND,SHORT L=123M/M
20	92072-032	3	BAND,LONG L=218M/M
21	92072-056	1	BAND,WIRING HARNESS L=186M/M
22	26016-004	1	HOLDER-SPARE FUSE
23	26006-007	2	FUSE 15A
24	K26012-020	1	YUA BAT 6N4-2A-5
24	K26012-020	1	YUA BAT 6N4-2A-5 KH100-B8
25	56040-1036	1	LABEL-WARNING,BATTERY
26	27005-085	1	SWITCH ASSY,IGNITION USE FOR CANADIAN MKT
27	27008-1016	1	KEY,BLANK
27	27008-1017	1	KEY,BLANK
27	27008-1018	1	KEY,BLANK
27	27008-1019	1	KEY,BLANK

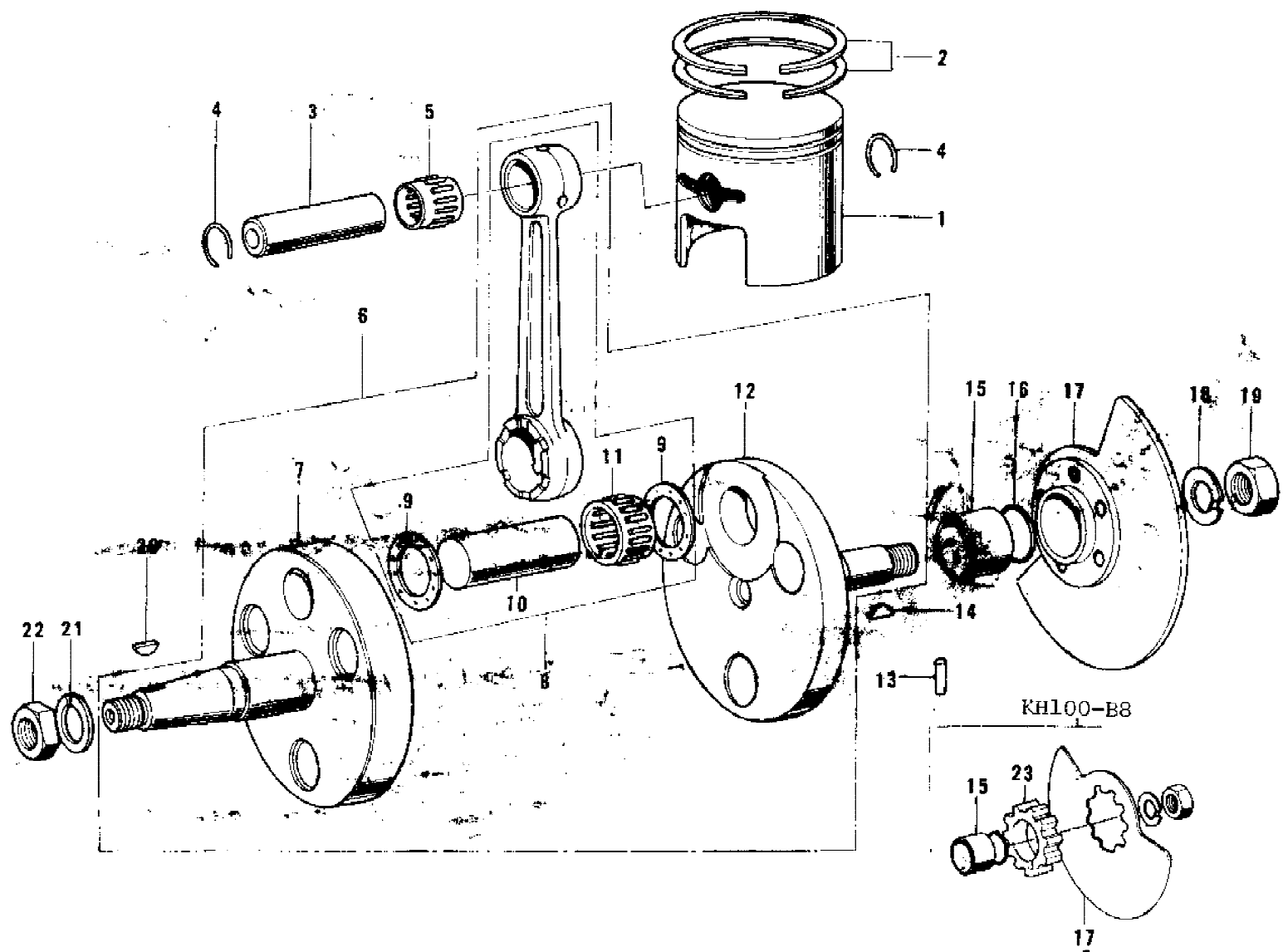




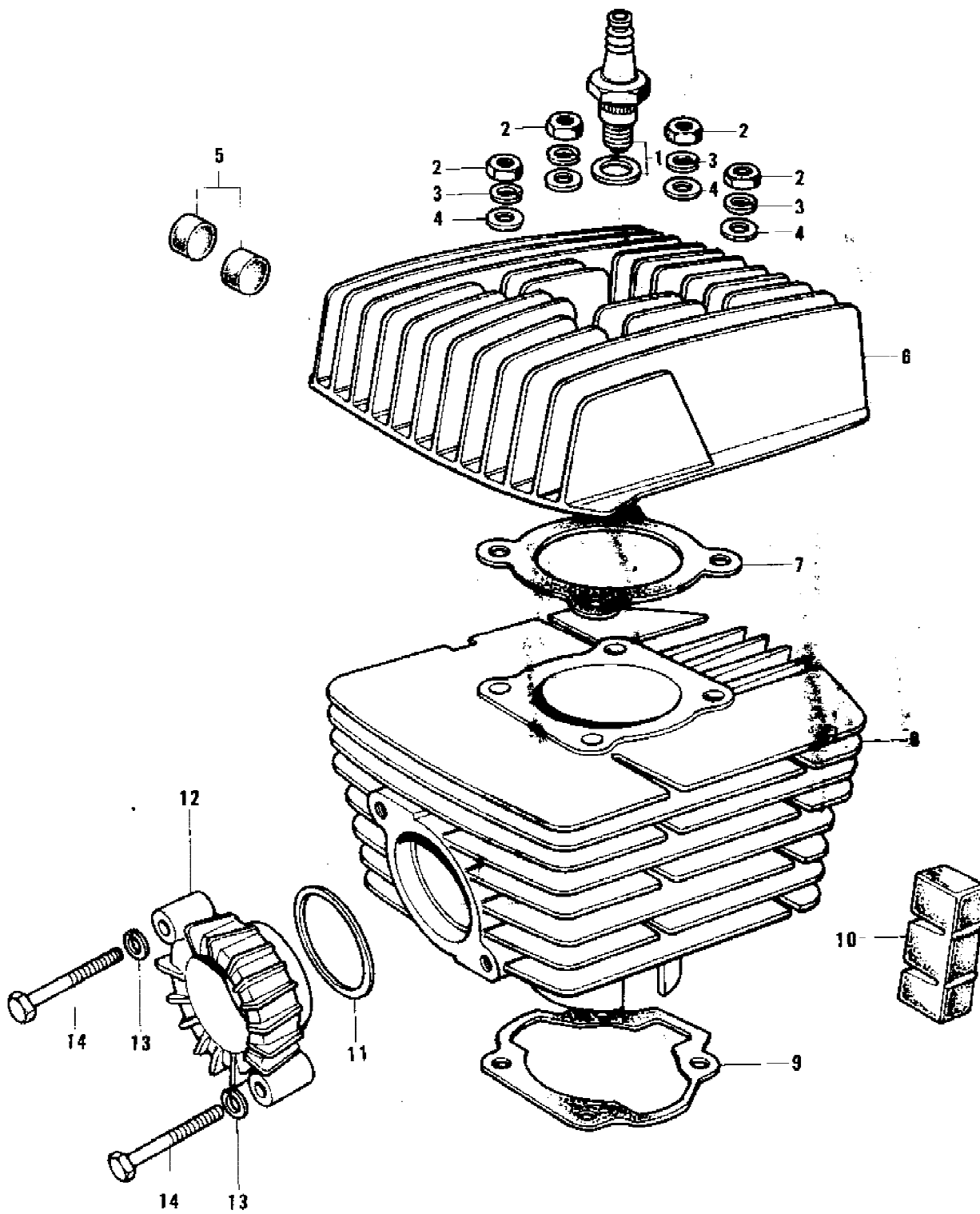
Ref #	Part Number	Qty	Description
1	13121-032	1	PINION,PRIMARY
1	13121-032	1	PINION,PRIMARY KH100-B8
2	92022-057	1	WASHER PLAIN O.D.=36
3	92081-015	1	SPRING CLUTCH DAMPER
4	92022-054	1	WASHER THRUST CLUTCH O.D.=27
5	13081-028	1	CLUTCH-ASSY
6	13095-022	1	HOUSING CLUTCH
7	13086-1002	1	WHEEL,CLUTCH
8	13088-1103	4	PLATE-FRICTION
9	13089-1009	3	PLATE-CLUTCH,STEEL
10	13090-004	1	PLATE CLUTCH OUTER
11	13087-1011	1	HUB,CLUTCH
12	92081-012	6	SPRING CLUTCH
13	13091-1115	1	HOLDER,CLUTCH SPRING
14	112G0516	6	BOLT-UPSET
15	92022-053	1	WASHER THRUST O.D.=21
16	480J1600	1	CIRCLIP 16MM
17	13113-003	1	PUSHER CLUTCH SPRING
18	92042-043	1	PIN,DOWEL
19	11060-1197	1	GASKET,CLUTCH RELEASE
20	13231-1008	1	RELEASE-ASSY-CLUTCH
21	13231-1008	1	RELEASE-ASSY-CLUTCH
22	220B0616	2	SCREW PAN HEAD 6X16
23	92081-096	1	SPRING-CLUTCH RELEASE
24	291H0616	1	SCREW,SLOTTED,6X16
25	312B0600	1	NUT 6MM
26	410B0600	2	WASHER PLAIN 6MM
27	92050-071	1	OIL SEAL
28	13231-1008	1	RELEASE-ASSY-CLUTCH



Ref #	Part Number	Qty	Description
1	92049-1250	1	SEAL-OIL
2	670B3026	1	"0" RING,26MM
3	92055-029	1	"0" RING,8MM
4	92042-017	1	PIN DOWEL 8X16
5	92062-004	1	NOZZLE OIL INJECTION
6	92055-011	1	"0" RING,5MM
7	220B0620	6	SCREW PAN HEAD 6X20
8	610A0512	2	PIN DOWEL 5X12
9	14019-032	1	COVER ROTARY DISC VLV
9	14019-056	1	COVER,ROTRY DISC VALV KH100-B8
10	92055-010	1	"0" RING,100MM
11	14002-1072	1	CRANKCASE,L.H.
12	551A0816	3	PIN DOWEL 8X16
13	601B6204	2	BEARING BALL #6204
14	14014-017	1	HOLDER CRANKSHAFT BRG
15	221B0616	4	SCREW CNTSNK HD 6X16
16	220B0612	2	SCREW PAN HEAD 6X12
17	14014-008	1	HOLDER BEARING MSSON
18	601B6005	1	BEARING BALL #6005
19	172G08115	4	STUD 8X115
20	92028-069	1	BUSH DRIVE SHAFT L=14 M/M
21	92028-025	1	BUSH OUTPUT SHAFT L=23.5 M/M
22	601B6004	1	BEARING BALL #6004
23	14003-063	1	CRANKCASE,R.H
24	92049-004	1	OIL SEAL SB12205
25	92050-013	1	OIL SEAL SC25376
26	92049-1240	1	SEAL-OIL
27	220B0665	3	SCREW PAN HEAD 6X65
28	220B0660	3	SCREW PAN HEAD 6X60
29	220B0640	5	SCREW PAN HEAD 6X40
30	220B0625	2	SCREW PAN HEAD 6X25

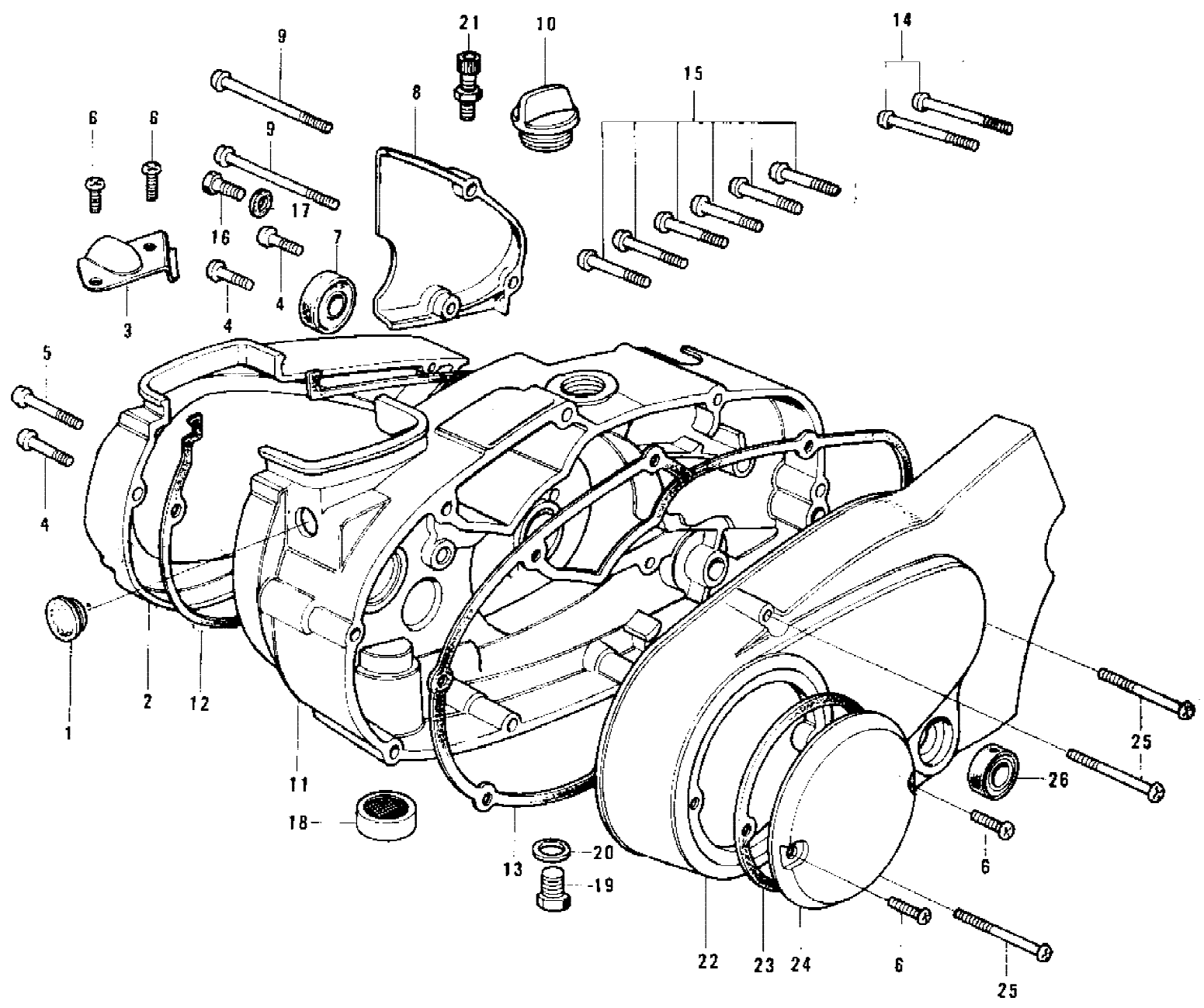


Ref #	Part Number	Qty	Description
1	13001-057	1	PISTON,STD
1	13029-059	1	PISTON,0.020 O.S
1	13027-057	1	PISTON,0.040 O-S
2	13008-043	1	RING SET,STD
2	13025-047	1	RING NET,0.020 O.S
2	13024-050	1	RING NET,0.040 O.S
3	13002-003	1	PIN-PISTON
4	92036-003	2	CIRCLIP PISTON PIN
5	13033-030	1	BEARING,SMALL END KTV141817
6	13036-043	1	CRANK&CONROD ASSY
6	13036-043	1	CRANK&CONROD ASSY KH100-B8
7	13037-053	1	CRANKSHAFT,L.H
7	13037-1136	1	CRANKSHAFT,LH KH100-B8
8	13044-5015	1	CONNECTING ROD SET
9	92025-047	2	WASHER-SIDE
10	13035-025	1	CRANK PIN
11	13034-034	1	BEARING,BIG END KT192612
12	13038-049	1	CRANK SHAFT,R.H
12	13037-1135	1	CRANKSHAFT,RH KH100-B8
13	610A0410	1	PIN DOWEL 4X10
14	92038-003	1	WOODRUFF KEY PRY PINI
15	92027-022	1	COLLAR CRANKSHAFT
15	92027-285	1	COLLAR,CRANKSHAFT KH100-B8
16	670B2016	1	"O" RING,16MM
17	12001-004	1	VALVE ROTARY DISC
17	12002-030	1	VALVE,ROTARY DISC KH100-B8
18	92024-003	1	WASHER LOCK 12MM
19	92015-006	1	NUT 12MM
20	510A3200	1	WOODRUFF KEY
21	461F1000	1	WASHER SPRING 10MM
22	314B1000	1	NUT,10MM
23	92027-1245	1	COLLAR,ROTARY VALVE KH100-B8

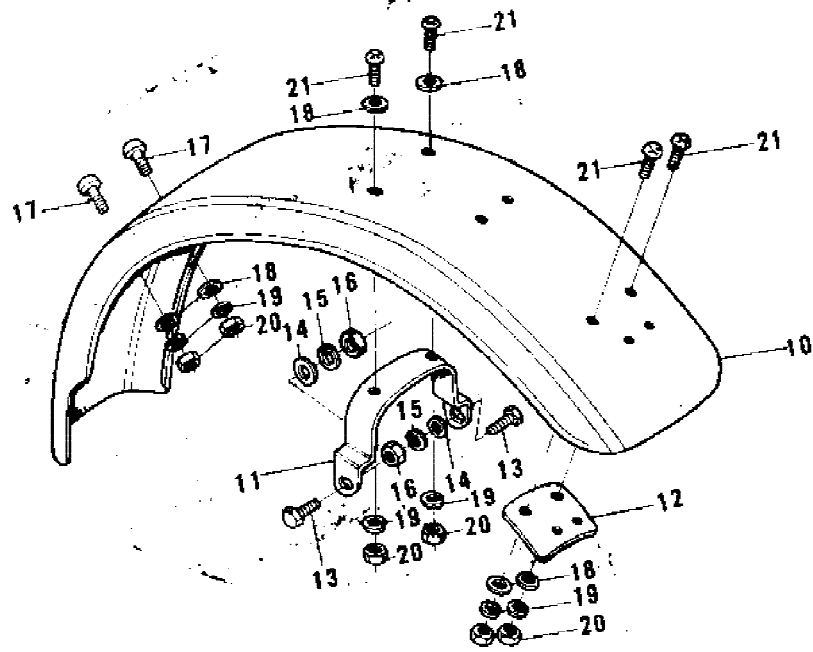
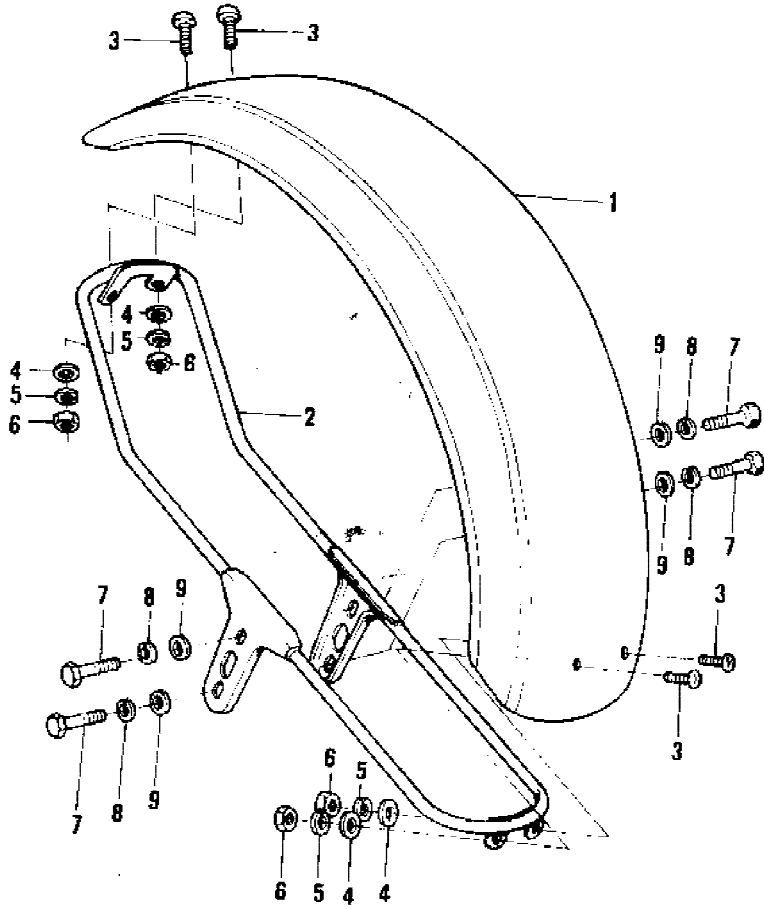


Ref #	Part Number	Qty	Description
1	92070-010	1	SPARK PLUGS B8HC
1	B8HS	1	SPARK PLUG B8HS KH100-B8
2	311B0800	4	NUT,8MM
3	461F0800	4	WASHER SPRING 8MM
4	410B0800	4	WASHER PLAIN 8MM
5	92075-074	8	DAMPER RUBBER
6	11001-075	1	CYLINDER HEAD
7	11004-033	1	GASKET CYLINDER HEAD
8	11005-1027	1	CYLINDER,BLACK
9	11060-1200	1	GASKET,CYLINDER BASE
10	92075-170	2	DAMPER RUBBER,CYLIND
11	11009-1992	1	GASKET,EXHAUST PIPE
12	18069-004	1	CLAMP EXHAUST PIPE
13	461F0600	2	WASHER SPRING 6MM
14	110G0650	2	BOLT,HEX HEAD,6X50

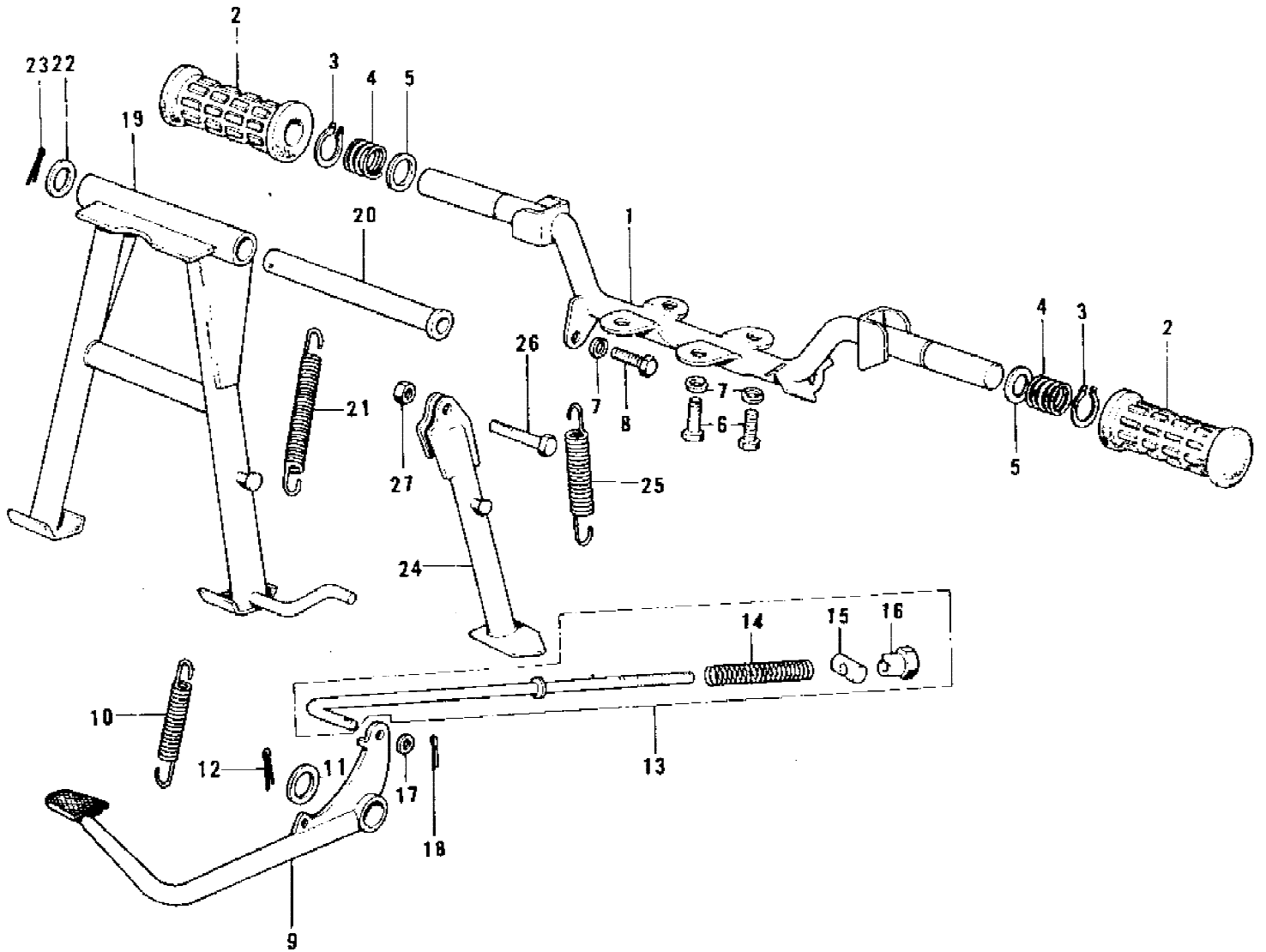




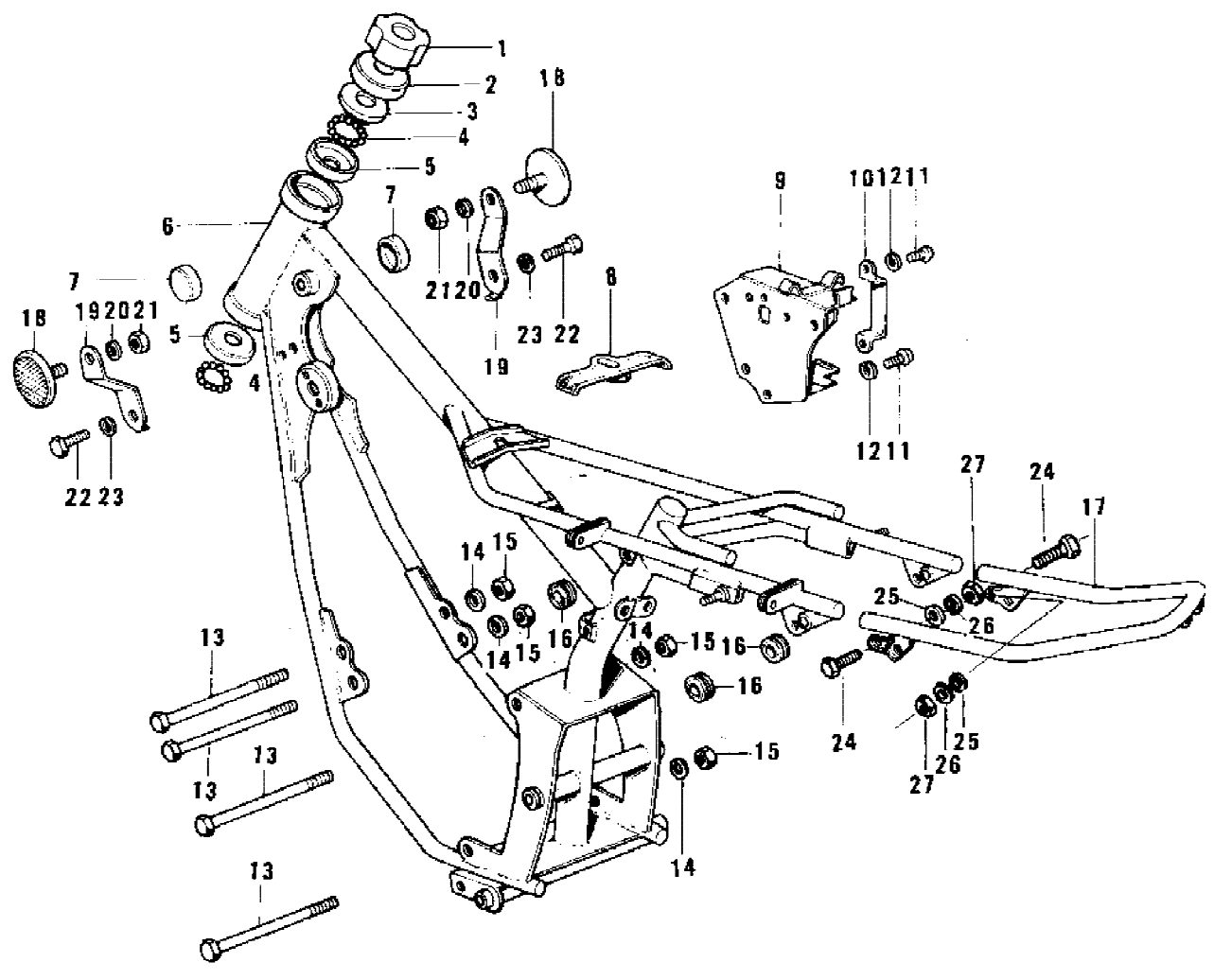
Ref #	Part Number	Qty	Description
1	14039-001	1	CAP CARB MOUNT HOLE
2	14030-1005	1	COVER,CARB BARREL BUFF
3	14076-005	1	COVER,CLUTCH CABLE
3	14025-1137	1	COVER,CLUTCH CABLE KH100-B8
4	220B0620	3	SCREW PAN HEAD 6X20
5	220B0635	1	SCREW PAN HEAD 6X35
6	220B0612	4	SCREW PAN HEAD 6X12
7	653B142507	1	OIL SEAL TB14257
8	14030-050-80	1	COVER,OIL PUMP,BUFF BUFF
9	220B0675	2	SCREW PAN HEAD 6X75
10	16115-018	1	FILLER,OIL
11	14032-1017	1	COVER,R.H,ENG,BARREL BUFF
12	11060-1201	1	GASKET,CARBURETOR COV
13	11060-1198	1	GASKET,CLUTCH COVER
14	220B0645	2	SCREW PAN HEAD 6X45
15	220B0630	6	SCREW PAN HEAD 6X30
16	92001-121	1	BOLT,HEX HEAD,6X14
17	92022-077	1	WASHER OIL PUMP BANJO
18	16116-006	1	DRAIN,FUEL
19	92067-001	1	PLUG OIL DRAIN
20	92065-058	1	GASKET CHECK VALVE
21	16002-012	1	ADJUSTER,CABLE
22	14031-1034	1	COVER,GENERATOR BUFF
23	14050-002	1	GASKET BREAKER COVER
24	14027-007-79	1	COVER-BRK POINT,CR CR-PLATED
25	220B0640	3	SCREW PAN HEAD 6X40
26	92049-1249	1	SEAL-OIL



Ref #	Part Number	Qty	Description
1	35004-1010	1	FENDER-FR
2	35011-005	1	STAY FRONT FENDER
3	220E0610	4	SCREW PAN HEAD 6X10
4	411B0600	4	WASHER, PLAIN , 6M/M
5	461F0600	4	WASHER SPRING 6MM
6	312B0600	4	NUT 6MM
7	114G0812	4	BOLT SMALL
8	461F0800	4	WASHER SPRING 8MM
9	410B0800	4	WASHER PLAIN 8MM
10	35023-1004	1	FENDER-RR
11	35025-002	1	BRACKET REAR FENDER
12	35013-012	1	PLATE,REAR FENDER
13	110N0842	2	BOLT,HEX HEAD,8X42
14	411B0800	2	WASHER PLAIN 8MM
15	461F0800	2	WASHER SPRING 8MM
16	311B0800	2	NUT,8MM
17	220B0612	2	SCREW PAN HEAD 6X12
18	411B0600	6	WASHER PLAIN 6MM
19	461F0600	6	WASHER SPRING 6MM
20	311B0600	6	NUT 6MM
21	220B0614	4	SCREW PAN HEAD 6X14

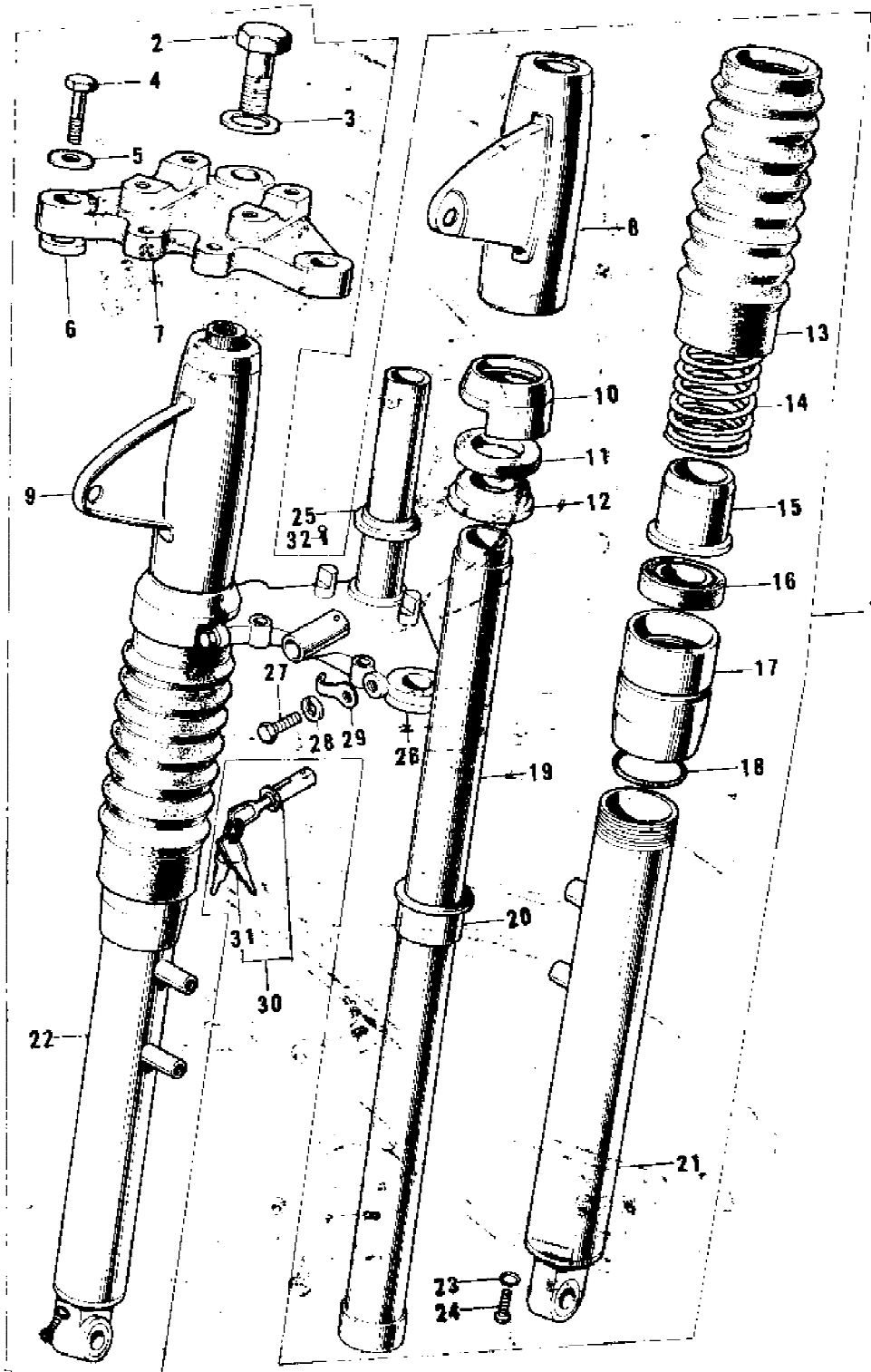


Ref #	Part Number	Qty	Description
1	34002-048	1	BAR,FOOTREST
2	92076-006	2	RUBBER FOOTREST
3	480J1600	2	CIRCLIP 16MM
4	34006-002	2	SPRING FOOTREST PEG
5	92022-049	2	WASHER FOLDING PEG
6	115G0816	4	BOLT-SMALL-UPSET,8X16
6	116B0816	AL	BOLT HEX HEAD 8X16
7	461F0800	5	WASHER SPRING 8MM
8	115G0820	1	BOLT,8X20
8	115G0820	AL	BOLT,8X20
9	43001-014	1	PEDAL BRAKE
10	43005-005	1	SPRING BRAKE PEDAL
11	92022-085	1	WASHER BRAKE PEDAL
12	550D3030	1	PIN COTTER 3.0X30
13	43010-5003	1	BRAKE ROD ASSY
14	43012-001	1	SPRING,BRAKE ROD
15	92043-039	1	PIN BRAKE
16	92015-042	1	NUT-BRAKE ROD ADJUST
17	410B0600	1	WASHER PLAIN 6MM
18	550D2015	1	PIN COTTER 2.0X15
19	34011-1045	1	STAND-MAIN
20	34019-006	1	SHAFT MAIN STAND
21	34023-005	1	SPRING MAIN STAND
22	92022-085	1	WASHER BRAKE PEDAL
23	550D3030	1	PIN COTTER 3.0X30
24	34024-053	1	STAND-SIDE
24	34024-053	1	STAND-SIDE KH100-B8
25	34025-001	1	SPRING,SIDE STAND
25	34025-005	1	SPRING,SIDE STAND KH100-B8
26	113G1025	1	BOLT,HEX HEAD,10X25
27	315B1000	1	NUT 10MM

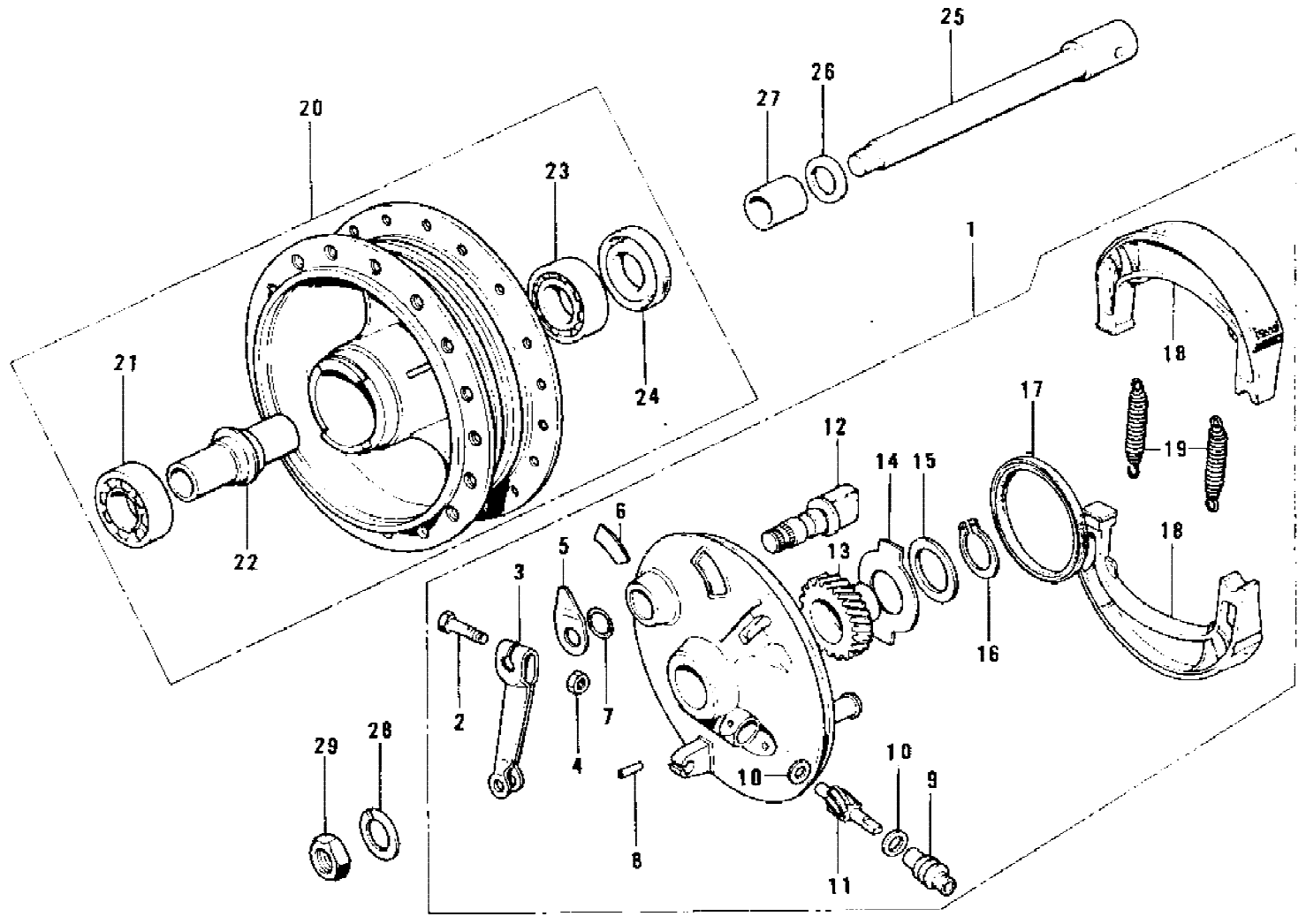


Ref #	Part Number	Qty	Description
1	92090-006	1	NUT STEERING STEM LCK
2	46098-004	1	CAP STEERING STEM
3	92047-014	1	CONE,STRG STM BRG,UP
4	600A0600	46	BALL STEEL 3/16'
5	92048-009	2	RACE,STRG STM BEARING
6	32002-134	1	FRAME
7	92075-101	2	DAMPER RUBBER-FL TANK
8	92075-226	1	DAMPER RUBBER,FL TNK
9	32097-040	1	CASE BATTERY
10	32100-002	1	BAND BATTERY
11	220B0612	4	SCREW PAN HEAD 6X12
12	461F0600	4	WASHER SPRING 6MM
13	92001-1603	4	BOLT,FLANGED,10X115
14	461F1000	4	WASHER SPRING 10MM
15	314B1000	4	NUT,10MM
16	92071-056	6	GROMMET
17	35032-027	1	STAY,REAR FENDER
18	28012-011	2	REFLECTOR-REFLEX
19	28013-007	2	BRACKET,REFLEX REFLCT
20	461F0500	2	WASHER SPRING 5MM
21	311B0500	2	NUT,5MM
22	112G0612	2	BOLT-UPSET,6X12
22	112G0612	AL	BOLT-UPSET,6X12
23	461F0600	2	WASHER SPRING 6MM
24	92150-1488	2	BOLT
25	411B0800	2	WASHER PLAIN 8MM
26	461F0800	2	WASHER SPRING 8MM
27	311B0800	2	NUT,8MM

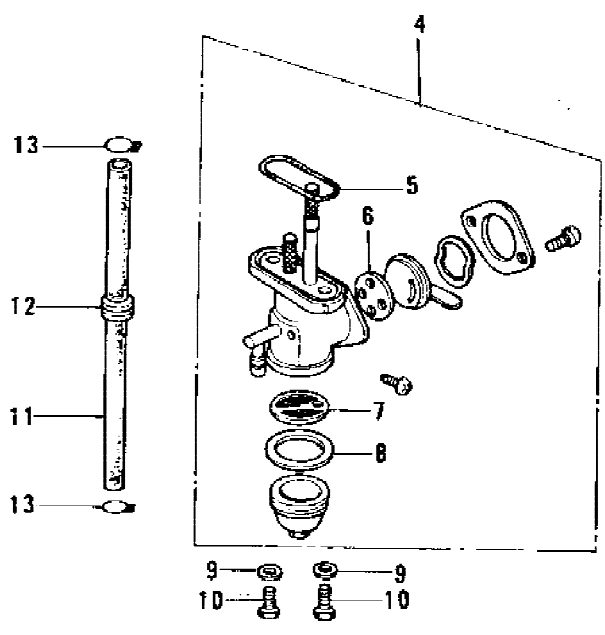
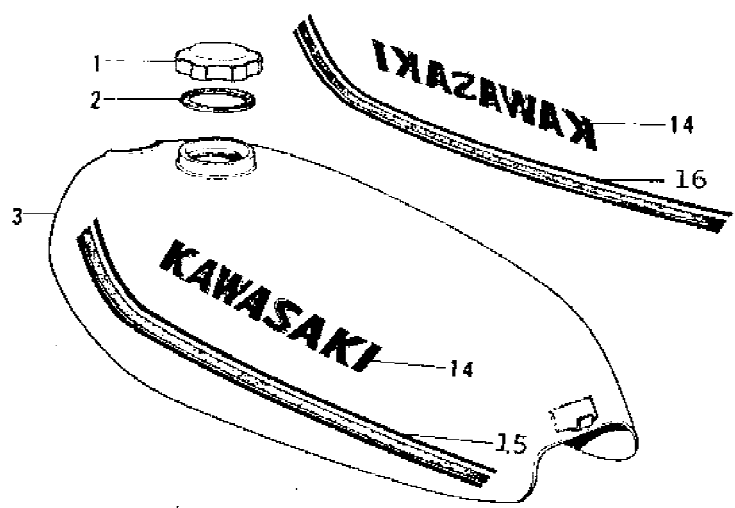




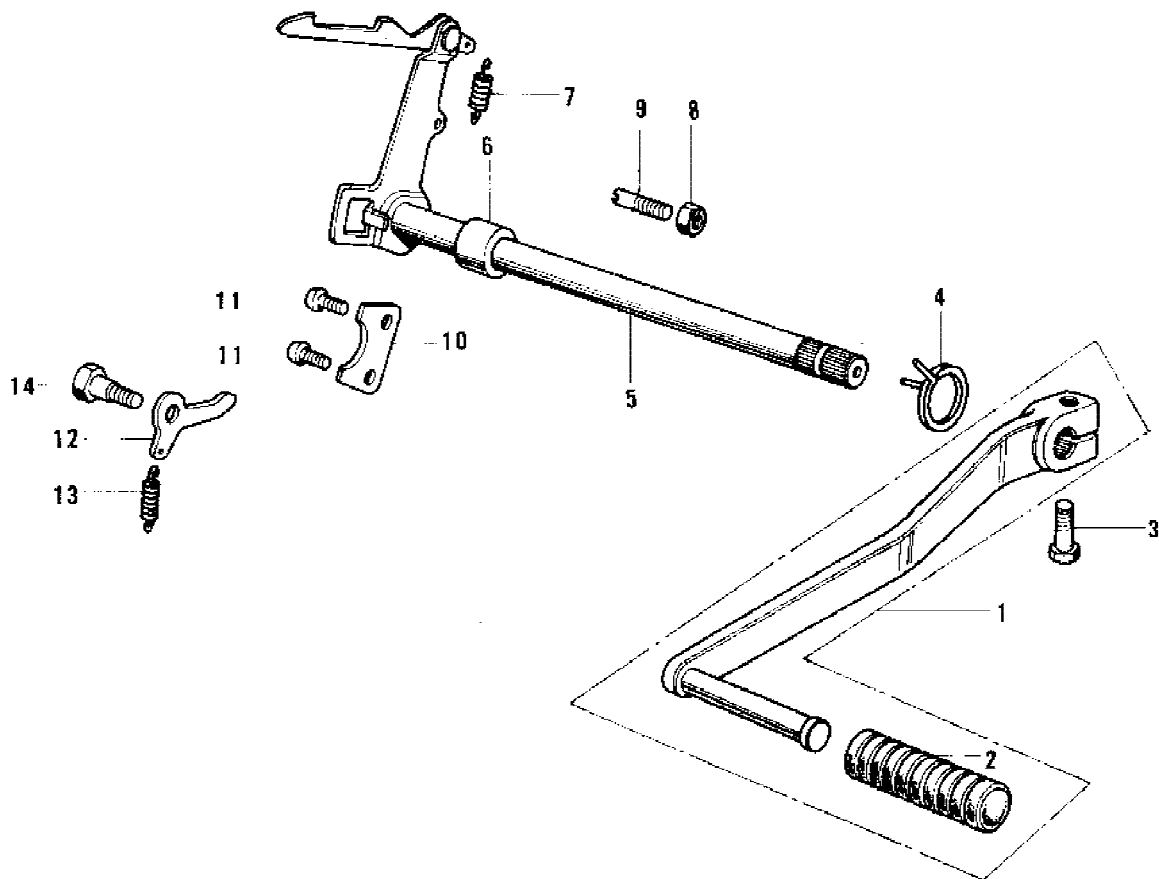
Ref #	Part Number	Qty	Description
1	44001-178-21	1	FORK-FRONT,F.BLACK FLAT BLACK
2	44041-007	1	BOLT STRNG STEM HEAD
3	44043-032	1	WASHER FORK COVER
3	44043-016	1	WASHER STRNG STEM HD KH100-B8
4	44041-020	2	BOLT FORK TOP
5	44043-017	2	WASHER FORK TOP
6	44046-002	2	GASKET INNER TUBE UPP
7	44039-013	1	HEAD STEERING STEM
8	44033-077-21	1	COVER,L.H FORK FLAT BLACK
9	44034-077-21	1	COVER,R.H FORK FLAT BLACK
10	44030-004	2	RING FORK COVER
11	44045-014	2	GASKET FORK COVER
12	44029-011	2	GUIDE FORK SPRING
13	44027-004	2	COVER FORK DUST
14	44026-020	2	SPRING FORK
15	44010-015	2	DUST SHIELD FORK
16	44009-021	2	OIL SEAL,FORK
17	44007-008	2	NUT FORK OUTER TUBE
18	44046-005	2	'O' RING OUTER TUBE
19	44013-010	2	TUBE FORK INNER
20	44015-003	2	GUIDE FORK INNER TUBE
21	44005-029-15	1	TUBE,LH,FORK OUTER METALLIC SILVER
22	44006-028-15	1	TUBE,RH,FORK OUTER METALLIC SILVER
23	44045-002	2	GASKET FORK DRAIN PLG
24	220B0408	2	SCREW PAN HEAD 4X8
25	92047-004	1	CONE LOWER BEARING
26	44037-020	1	STEM STEERING
27	44041-010	2	BOLT PINCH
28	461F1000	2	WASHER SPRING 10MM
29	92037-022	1	CLAMP CABLE
30	27016-5025	1	LOCK ASSY,STEERING
31	27008-034-21	1	KEY SET NO.321 REF. GRID F5,#27 FOR KEY BLANK
31	27008-034-22	1	KEY SET NO.322
31	27008-034-23	1	KEY SET NO.323
31	27008-034-24	1	KEY SET NO.324
31	27008-034-25	1	KEY SET, #325
31	27008-034-26	1	KEY SET, #326
31	27008-034-27	1	KEY SET, #327
31	27008-034-28	1	KEY SET, #328
31	27008-034-29	1	KEY SET, #329
31	27008-034-30	1	KEY SET, #330
31	27008-034-35	1	KEY SET NO.235
31	27008-034-36	1	KEY SET NO.236
31	27008-034-37	1	KEY SET NO.237
31	27008-034-38	1	KEY SET NO.238
31	27008-034-39	1	KEY SET NO.239
31	27008-034-00	1	KEY SET, #240
31	27008-034-40	1	KEY SET NO.140
31	27008-034-41	1	KEY SET NO.141
31	27008-034-42	1	KEY SET NO.142
31	27008-034-43	1	KEY SET NO.143
32	92099-001	1	SCREW RIVET



Ref #	Part Number	Qty	Description
1	41035-083-80	1	PANEL-ASY,FR BRK BUFF FINIS
2	112G0630	1	BOLT-UPSET
2	112G0630	AL	BOLT-UPSET
3	41053-005	1	LEVER, FRONT BRAKE CAM
4	41072-007	1	NUT,6MM
5	41085-008	1	INDICATOR,BK SHOE
6	41084-002	1	LABEL,FR BRK SHOE
7	92055-004	1	"O" RING,11MM
8	41082-001	1	PIN,SPRING
9	41062-005	1	BUSH,SPEEDMETER CABLE
10	41063-001	2	WASHER THRST SPD PINI
11	41060-004	1	PINION SPEEDOMETER
12	41050-018	1	CAM SHAFT-FRONT BRAKE
13	41059-023	1	GEAR,SPEEDOMETER
14	41064-010	1	RECEIVER,SPEED GEAR
15	41065-002	1	WASHER SPEED GR THRST
16	480J1500	1	CIRCLIP 15MM
17	92050-002	1	OIL SEAL BRAKE PANEL
18	41048-1085	2	SHOE-BRAKE
19	92081-1766	2	SPRING,BRAKE SHOE
20	41034-1040	1	DRUM-ASSY,FR BRK
21	601B6300Z	1	BEARING BALL #6300Z
22	41039-002	1	SPACER FRONT HUB
23	601B6200	1	BEARING BALL #6200
24	92050-003	1	OIL SEAL FRONT DRUM
25	41068-039	1	AXLE-FRONT
26	41042-002	1	DUST SHIELD FRNT DRUM
27	41069-002	1	COLLAR FRONT HUB R.H
28	461F1000	1	WASHER SPRING 10MM
29	42045-005	1	NUT 10MM

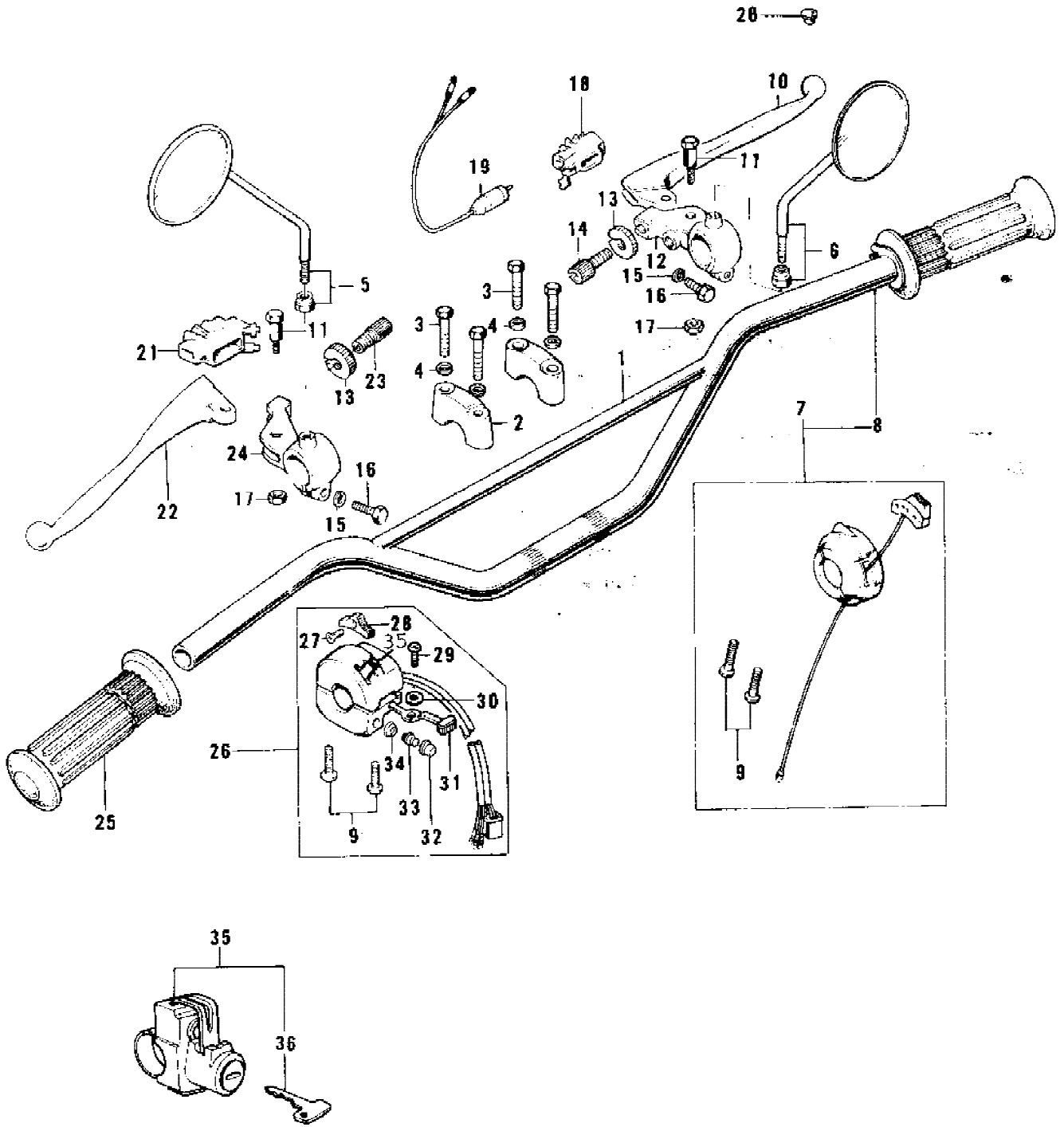


Ref #	Part Number	Qty	Description
1	51048-1013	1	CAP,FUEL TANK
2	51059-007	1	GASKET-FUEL TANK CAP
3	51001-094-3S	1	TANK-FUEL,C.R.BLUE
3	51001-094-4V	1	TANK-FUEL,T.GREEN KH100-B8
4	51023-1001	1	TAP ASSY,FUEL
4	51023-1020	1	TAP ASSY,FUEL KH100-B8
5	51039-003	1	"O" RING
6	92065-094	1	GASKET-FUEL COCK LEV
7	51038-008	1	STRAINER,FUEL
8	51037-011	1	GASKET FUEL COCK CUP
9	92022-183	2	WASHER-PLAIN
10	92001-114	2	BOLT-HEX HEAD,6X16
11	92059-100	1	PIPE,FUEL,
12	92071-038	1	GROMMET PIPE
13	92037-010	2	CLAMP FUEL PIPE
14	56014-059-SP	2	DECAL,FUEL TANK
14	56014-068-SP	2	*** N.L.A.*** (Canada) KH100-B8
15	56027-320-SP	1	DECAL,FUEL TANK
15	56029-082-SP	1	*** N.L.A.*** (Canada) KH100-B8
16	56027-321-SP	1	DECAL,FUEL TANK
16	56029-083-SP	1	*** N.L.A.*** (Canada) KH-100-B8



Ref #	Part Number	Qty	Description
1	13242-004	1	PEDAL SET GEAR CHANGE
2	13157-004	1	RUBBER CHANGE PEDAL
3	112G0620	1	BOLT-UPSET,6X20
3	112G0620	AL	BOLT-UPSET,6X20
4	92081-1129	1	SPRING,TENTION
4	92081-1129	1	SPRING,TENTION KH100-B8
5	13161-1014	1	LEVER ASSY,GEAR CHNG
6	92027-121	1	COLLAR
7	92144-1720	1	SPRING,CHANGE LEVER
8	312B0800	1	NUT 8MM
9	92001-1401	1	BOLT,RETURN SPRING
10	13169-002	1	PLATE CHNG DRUM PSTN
11	220B0614	2	SCREW PAN HEAD 6X14
12	13168-005	1	LEVER GEAR CHNG DRUM
13	92083-012	1	SPRING,CHNG DRUM LEV
13	92083-012	1	SPRING,CHNG DRUM LEV KH100-B8
14	92150-1450	1	BOLT,CHANGE DRUM LEVE

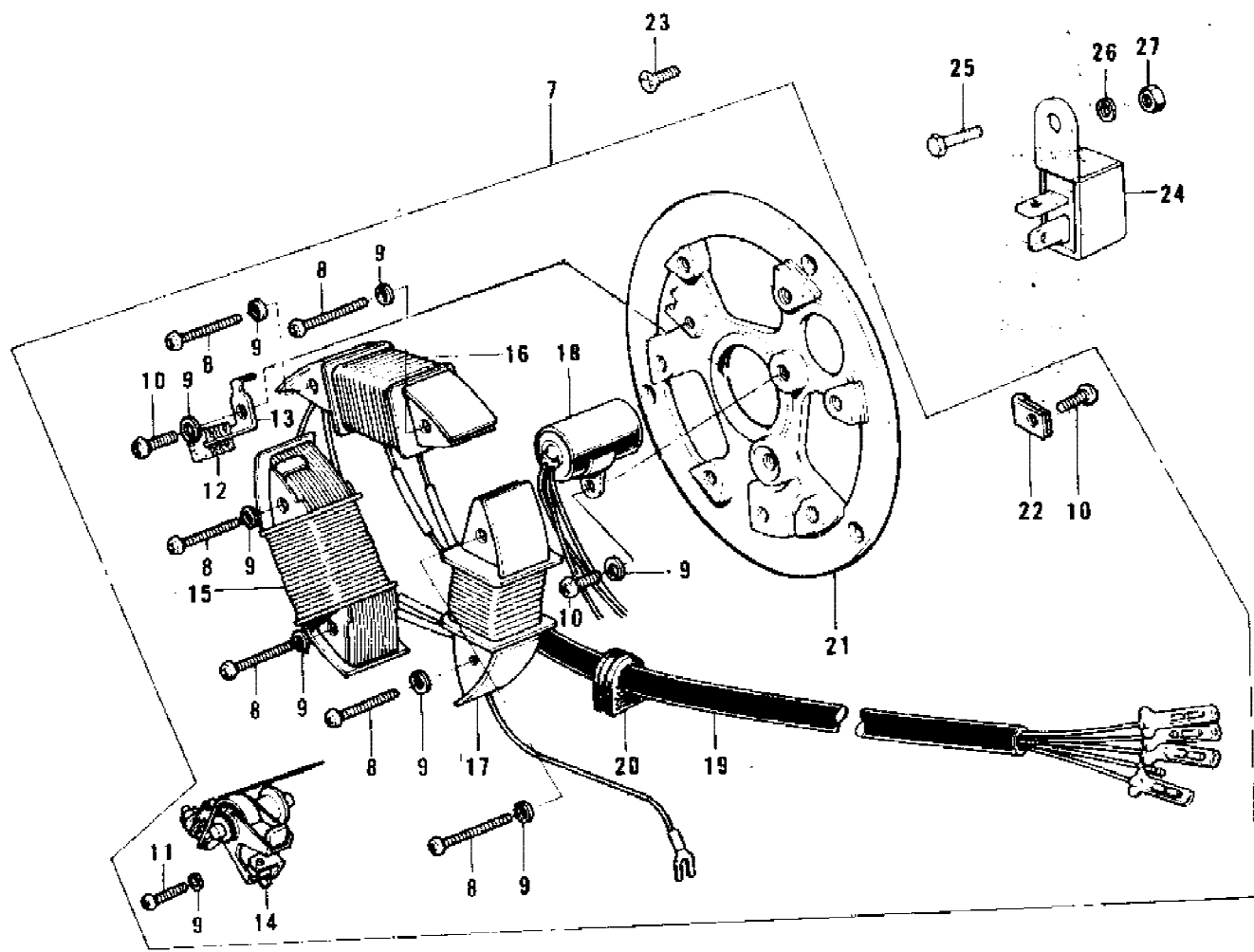
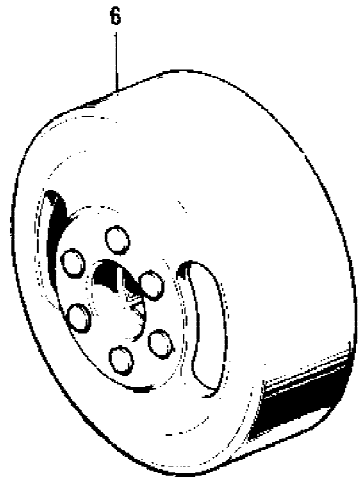
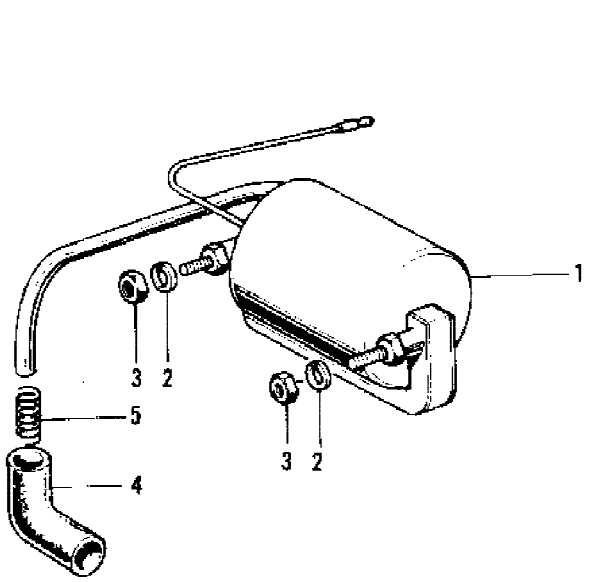




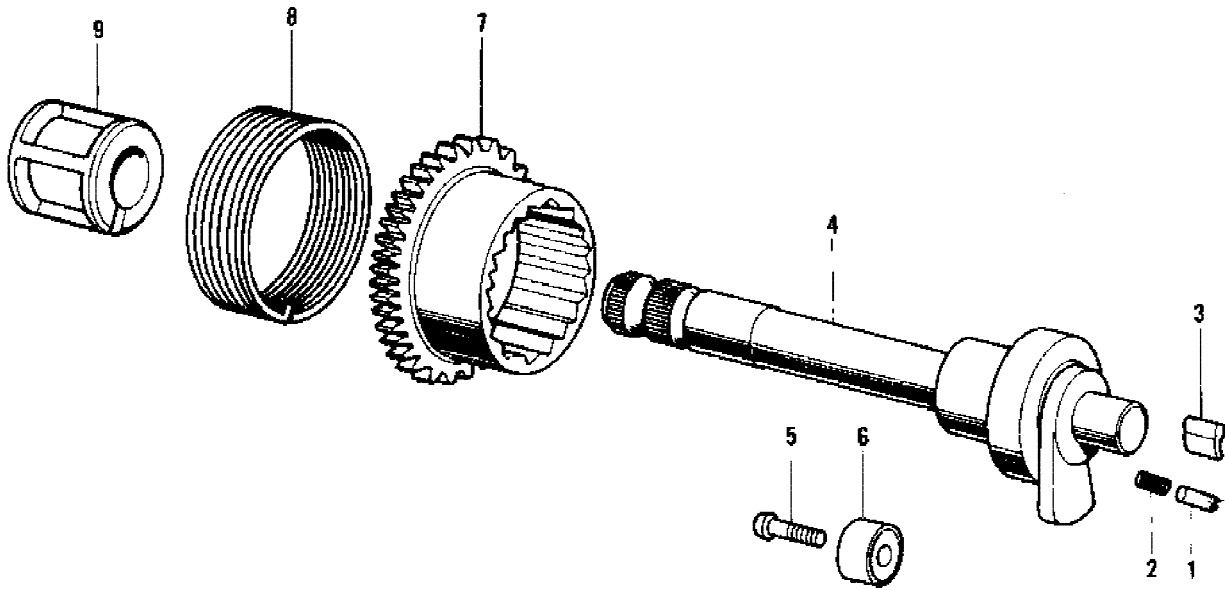
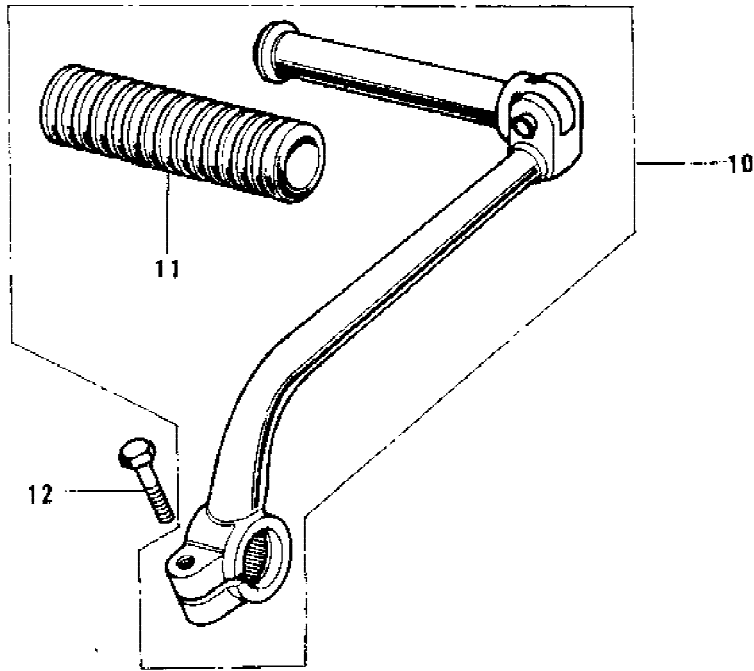
Ref #	Part Number	Qty	Description
1	46003-035	1	HANDLEBAR
2	46012-004	2	HOLDER UPPER HANDLBAR
3	92001-1405	4	BOLT 8X38
4	461F0800	4	WASHER SPRING 8MM
5	56003-009	1	REAR VIEW MIRROR,L.H
6	56002-020	1	REAR VIEW MIRROR,R.H OPTION
7	46018-047	1	CASE ASSY,R.H
8	46019-039	1	GRIP ASSY,THROTTLE
9	220B0525	4	SCREW-PAN-CROS,5X25
10	46058-004	1	LEVER FRONT BRAKE
11	92007-046	2	BOLT,HEX HEAD,5X22
12	46060-009-21	1	HOLDER-FR BRK LEV,BLK BLACK
13	46056-005	2	NUT-LOCK
14	46055-010	1	SCREW,CABLE ADJUST D=7
14	46055-003	1	SCREW CABLE ADJUST KH100-B8
15	410B0600	2	WASHER PLAIN 6MM
16	110N0625	2	BOLT HEX HEAD 6X25
17	92019-014	2	NUT-LOCK,5MM
18	49006-1017	1	BOOTS,LEVER HOLDER
19	27021-004	1	SWITCH-FR. BRAKE LAMP
20	92102-009	1	CAP-RR VIEW MIRROR NOT REQUIRED FOR 56003-011
21	49006-1017	1	BOOTS,LEVER HOLDER
22	46092-015	1	LEVER-CLUTCH
23	46055-003	1	SCREW CABLE ADJUST D=80
24	46094-011-21	1	HOLDER-CLUTCH LEV,BLK BLACK
25	46075-029	1	RUBBER,L.H GRIP
26	46091-040	1	CASE ASSY,L.H
	99990-531	1	L.H GRIP SWITCH KIT Includes items 27 and 28
27	221B0308A	1	SCREW CNTSNK HD 3X8
28	46044-009	1	KNOB-LH SWITCH
29	220B0305A	1	SCREW PAN HEAD 3X5
29	220B0305A	1	SCREW PAN HEAD 3X5 KH100-B8
30	92095-010	1	WASHER
31	46044-010	1	KNOB-SWITCH
32	27010-1009	1	SWITCH ASSY,HORN BUTN
33	27010-1009	1	SWITCH ASSY,HORN BUTN
34	27010-1009	1	SWITCH ASSY,HORN BUTN
35	27039-002	1	LOCK ASSY,HELMET
36	27008-034-21	1	KEY SET NO.321
36	27008-034-22	1	KEY SET NO.322
36	27008-034-23	1	KEY SET NO.323
36	27008-034-24	1	KEY SET NO.324
36	27008-034-25	1	KEY SET, #325
36	27008-034-26	1	KEY SET, #326
36	27008-034-27	1	KEY SET, #327
36	27008-034-28	1	KEY SET, #328
36	27008-034-29	1	KEY SET, #329
36	27008-034-30	1	KEY SET, #330
36	27008-034-35	1	KEY SET NO.235
36	27008-034-36	1	KEY SET NO.236
36	27008-034-37	1	KEY SET NO.237
36	27008-034-38	1	KEY SET NO.238
36	27008-034-39	1	KEY SET NO.239
36	27008-034-00	1	KEY SET, #240
36	27008-034-40	1	KEY SET NO.140

---

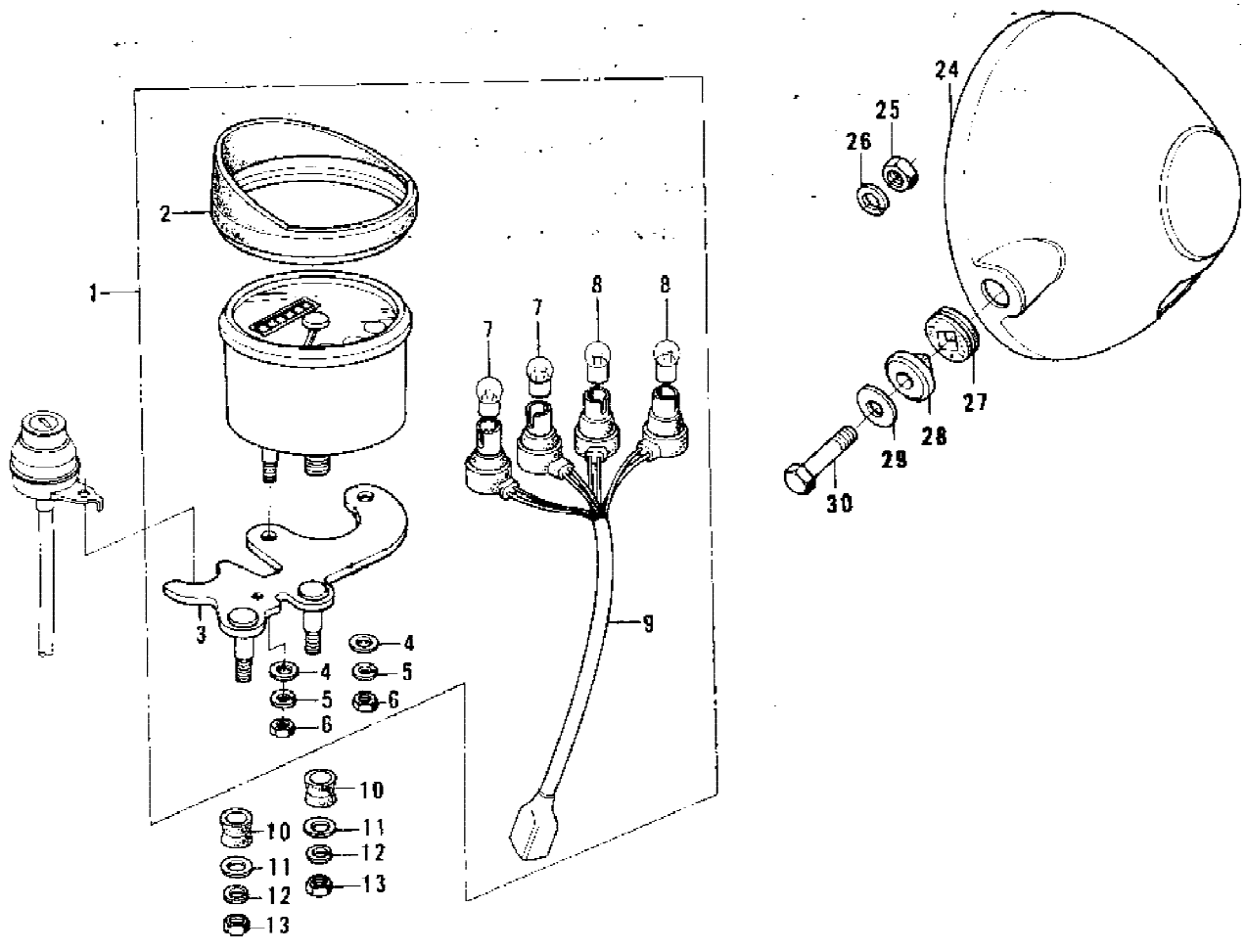
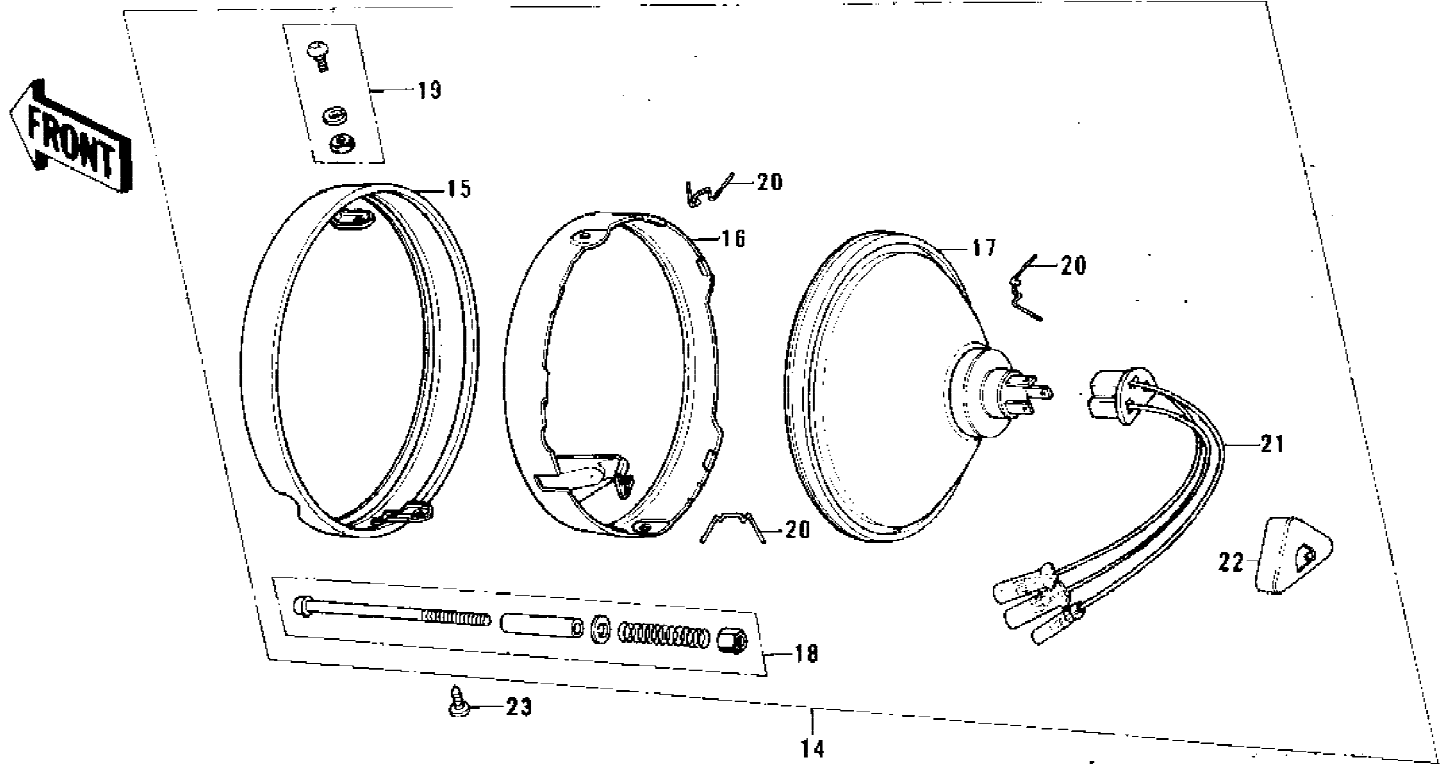
Ref #	Part Number	Qty	Description
36	27008-034-41	1	KEY SET NO.141
36	27008-034-42	1	KEY SET NO.142
36	27008-034-43	1	KEY SET NO.143



Ref #	Part Number	Qty	Description
1	21121-1048	1	COIL IGNITION
2	461F0600	2	WASHER SPRING 6MM
3	311B0600	2	NUT 6MM
4	21130-009	1	CAP SPARK PLUG
5	92101-001	1	SPRING-SPARK PLUG CAP
6	21050-016	1	FLYWHEEL
7	21003-025	1	STATOR ASSY
8	220E0430	6	SCREW PAN HEAD 4X30
9	461F0400	9	WASHER SPRING 4MM
10	220B0406	3	SCREW PAN HEAD 4X6
11	220B0412	1	SCREW-PAN-CRSOSS,4X12
12	21019-005	1	FELT OIL
13	21038-002	1	HOLDER,OIL FELT
14	21008-006	1	BREAKER ASSY CONTACT
15	21047-1007	1	COIL,LIGHTING USE 21047-1007
15	21047-1007	1	COIL,LIGHTING
16	21047-019	1	COIL A LIGHTING
17	21049-1004	1	COIL,EXCITING USE 21049-1004
17	21049-1004	1	COIL,EXCITING
18	21013-006	1	CONDENSER
19	21029-028	1	WIRING HARNESS,MAGNT
20	21017-002	1	GROMMET WIRING HARN
21	21048-1002	1	PLATE-COIL,MAGNETO
22	21037-002	2	CLAMP WIRING HARNESS
23	221B0614	1	SCREW CNTSNK HD 6X14
24	21061-015	1	RECTIFIER
25	110B0510	1	BOLT HEX HEAD 5X10
26	461F0500	1	WASHER SPRING 5MM
27	311B0500	1	NUT,5MM

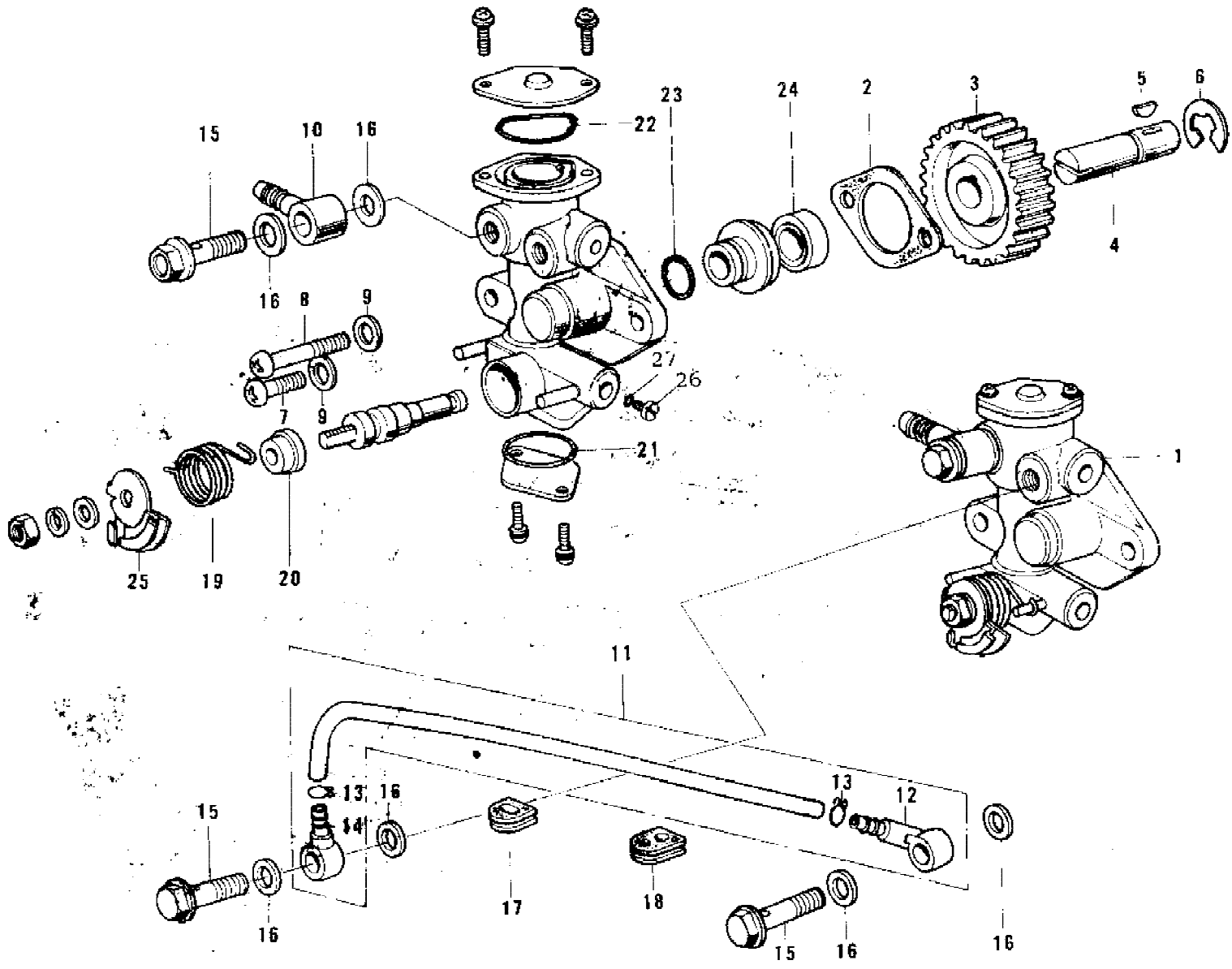


Ref #	Part Number	Qty	Description
1	92043-013	1	P/N,KICKSTARTER PAWL
2	92081-014	1	SPRING KICK PAWL
3	13069-005	1	PAWL KICKSTARTER
4	13066-1022	1	SHAFT-KICK
5	221B0620	1	SCREW CNTSNK HD 6X20
6	13072-003	1	STOPPER KICKSTARTER
7	13068-007	1	GEAR KICKSTARTER 35T
8	92083-004	1	SPRING KICKSTARTER
9	13070-003	1	GUIDE KICK SPRING
10	13064-1044	1	LEVER-ASSY-KICK PEDAL
11	13063-002	1	RUBBER KICK PEDAL
12	115G0825	1	BOLT-SMALL-UPSET 8X25

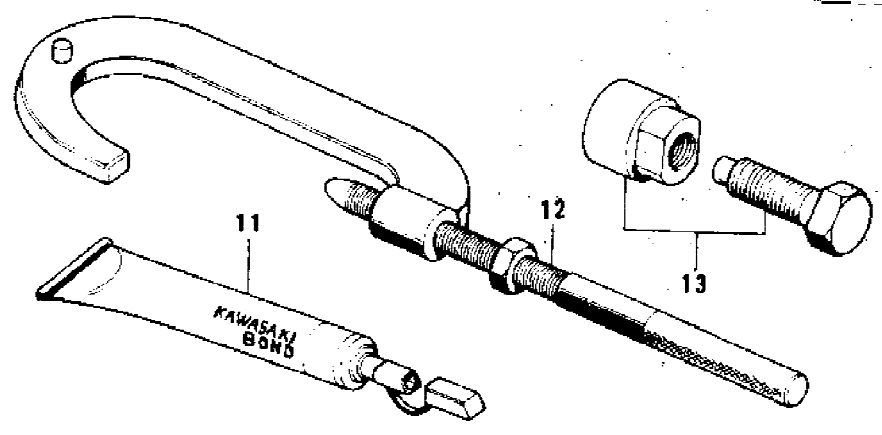
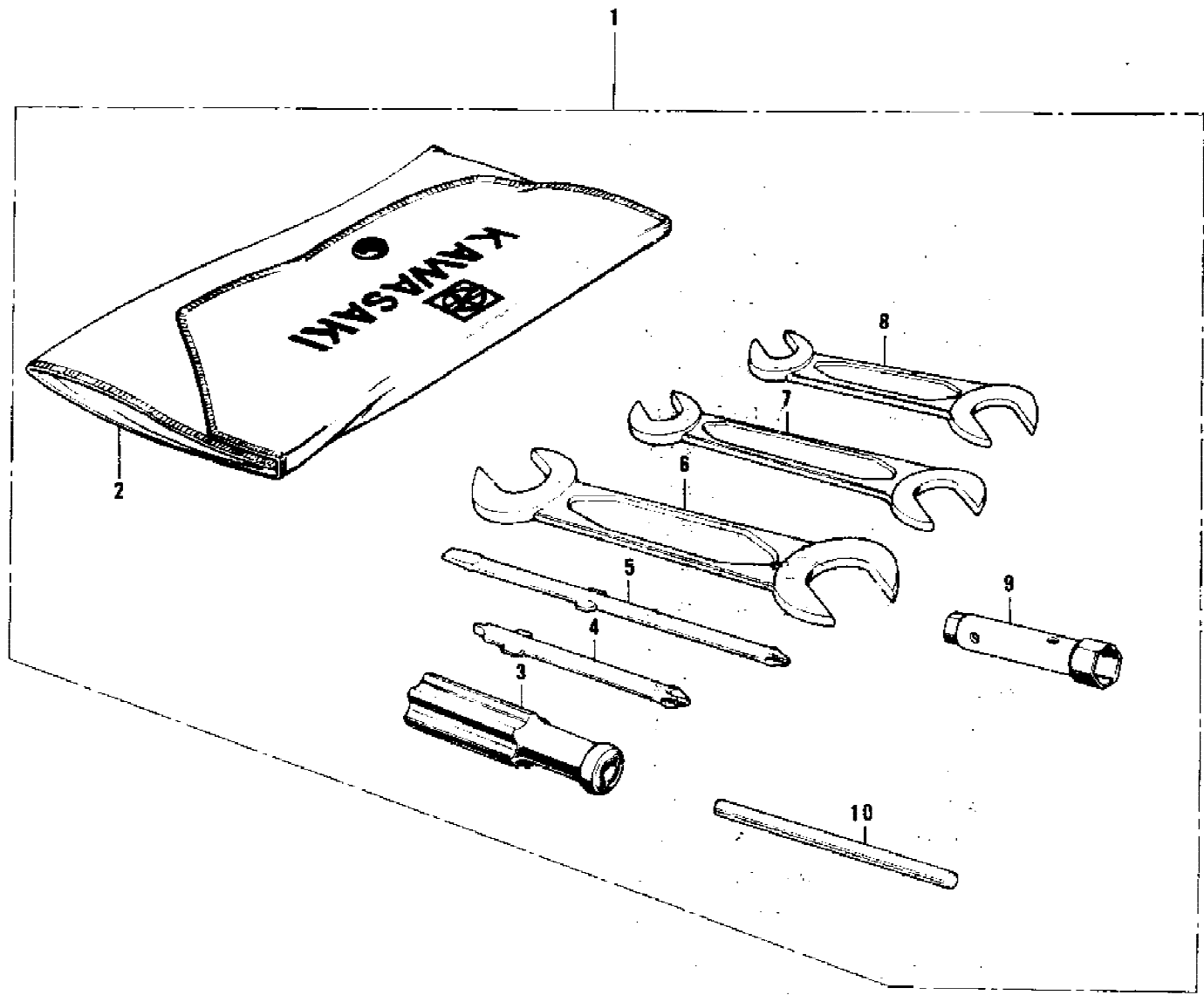




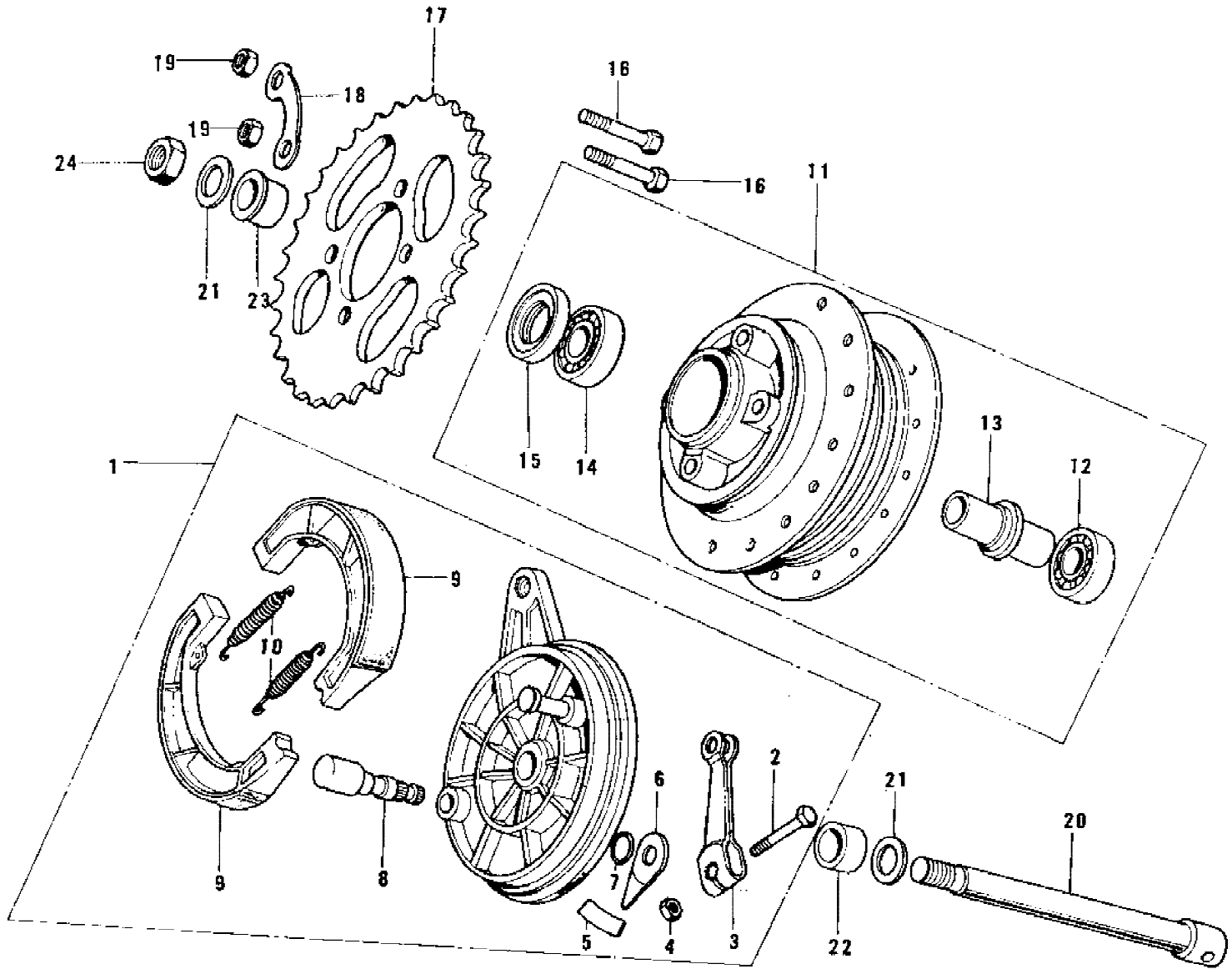
Ref #	Part Number	Qty	Description
1	25001-093	1	SPEEDOMETER ASSY,MPH
1	25001-105	1	SPEEDOMETER ASSY,KPH (Canada) CANADIAN MARKET
2	25012-003	1	COVER-SPEEDOMETER
3	25008-042	1	BRACKET,SPEEDOMETER
4	410B0500	2	WASHER PLAIN 5MM
5	461F0500	2	WASHER SPRING 5MM
6	311B0500	2	NUT,5MM
7	92069-024	2	BULB 6V 1.5W
8	92069-053	2	BULB-6V 3W
9	25011-050	1	SOCKET,SPEEDOMETER
10	92075-024	2	DAMPER RUBB SPEEDMETR
11	92022-125	2	WASHER PLAIN 6MM
12	461F0600	2	WASHER SPRING 6MM
13	311B0600	2	NUT 6MM
14	23003-024	1	LAMP UNIT,HEAD
15	23006-042	1	RIM,HEAD LAMP
16	23072-002	1	RETAINER,SEALED BEAM
17	23007-055	1	SEALED BEAM UNIT
18	23016-006	1	LAMP ASSY-PILOT
19	23013-007	1	SCREW SET,LENS UNIT
20	23009-015	3	CLAMP,HEAD LAMP LENS
21	23008-044	1	SOCKET ASSY,HD LIGHT
22	23081-001	1	COVER,HD LAMP SOCKET
23	23019-025	1	SCREW,PAN HEAD,5X14
24	23005-049-21	1	BODY,HEAD LAMP,BLACK FLAT BLACK
25	314B1000	2	NUT,10MM
26	461F1000	2	WASHER SPRING 10MM
27	23066-011	2	DAMPER RUBBER
28	23052-005	2	COLLAR
29	411D1000	2	WASHER-PLAIN,10MM
30	92007-041	2	BOLT,HEX HEAD,10X30



Ref #	Part Number	Qty	Description
1	16082-067	1	PUMP ASSY, OIL
1	16082-067	1	PUMP ASSY, OIL KH100-B8
2	11060-1160	1	GASKET,OIL PUMP
3	16085-004	1	GEAR OIL PUMP
4	16086-001	1	SHAFT OIL PUMP
5	510A3100	1	WOODRUFF KEY
6	482K9000	1	CIRCLIP 9MM
7	220B0514	1	SCREW-PAN-CROS
8	220B0528	1	SCREW PAN CROSS,5X28
9	92022-037	2	WASHER OIL PUMP
10	92061-009	1	CONNECTOR BANJO
11	16134-021	1	PIPE,OIL
12	16128-009	1	VALVE,CHECK
13	92036-022	2	CLAMP,OIL PIPE
14	92061-018	1	CONNECTOR,OIL PIPE
15	92069-013	3	BULB 6V 3W
16	92022-077	6	WASHER OIL PUMP BANJO
17	21017-002	1	GROMMET WIRING HARN
18	92071-067	1	GROMMET,OIL PIPE
19	16093-006	1	SPRING,OIL PUMP LEVER
20	92049-1294	1	SEAL-OIL,CAMSHAFT,"X"
21	16090-003	1	"O" RING,LOWER CAP
21	16090-004	1	"O" RING,LOWER CAP KH100-B8
22	16088-002	1	"O" RING,UPPER CAP
23	16090-002	1	"O" RING,OIL PUMP SHT
24	16091-001	1	OIL SEAL OIL PUMP SHT
25	16096-012	1	LEVER,OIL PUMP CABLE
26	92009-1010	1	BOLT,AIR VENT (FOR 16082-067)
27	92022-1006	1	WASHER (FOR 16082-067)

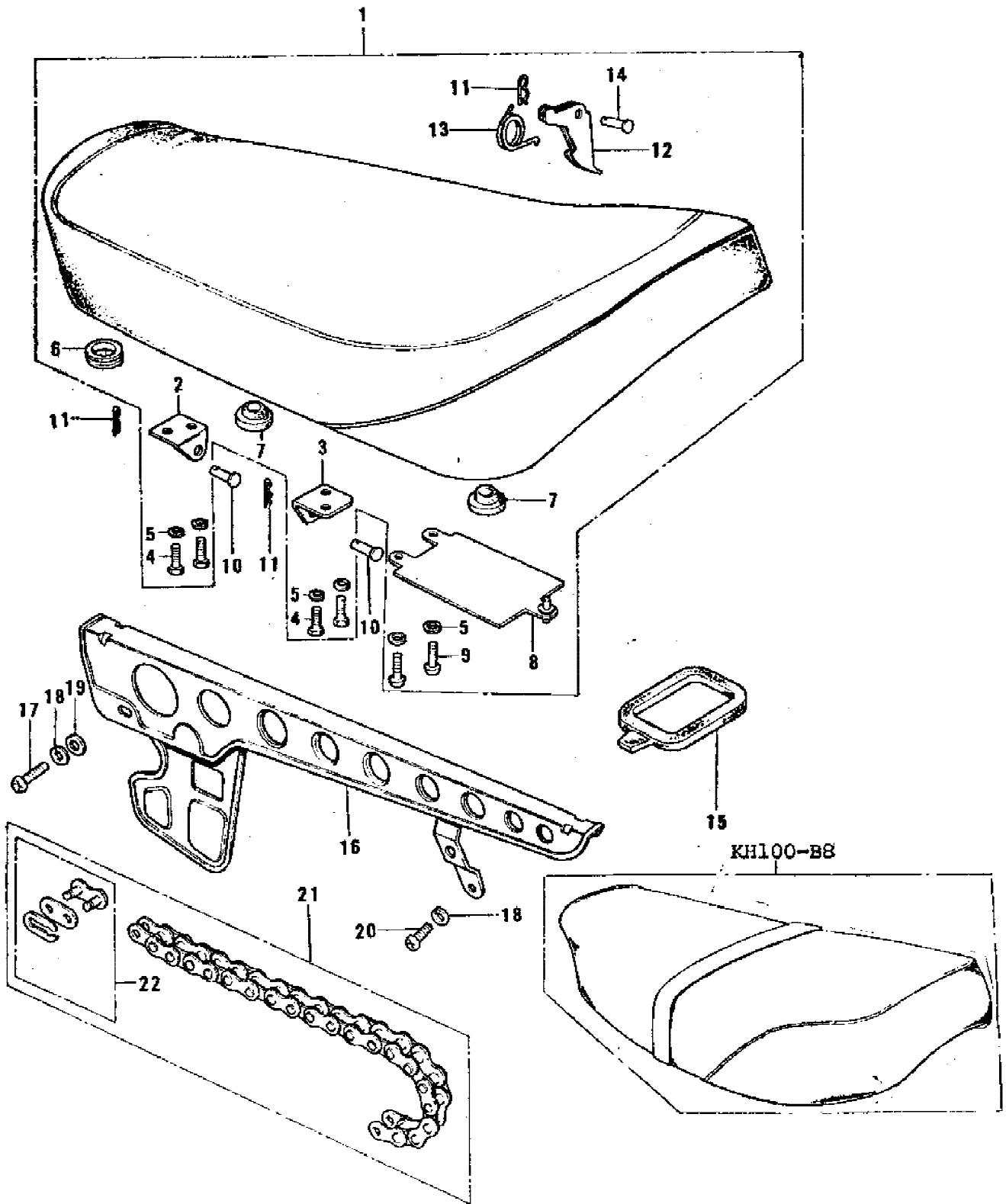


Ref #	Part Number	Qty	Description
1	56007-035	1	*** N.L.A.*** (Canada)
2	56008-008	1	BAG,TOOL
3	92106-002	1	92106-1001 (Canada)
4	92107-005	1	SCREW DRIVER #3 PHLIP
5	92107-1052	1	TOOL-DRIVER
6	92110-1153	1	TOOL-WRENCH,OPEN END,
7	92126-002	1	WRENCH,OPEN END,12X13
8	92126-001	1	WRENCH,OPEN,8X10
9	92110-012	1	WRENCH,BOX,17X21
10	92111-005	1	BAR,SPARK PLUG WRENCH
10	92111-007	1	92111-005 (Canada) KH100-B8
11	92104-002	10	LIQUID GASKET OPT
12	56019-040	1	57001-1243 (Canada) OPT
12	57001-307	1	57001-1243 (Canada) KH100-B8 OPTION
13	56019-033	1	57001-252 (Canada) OPT



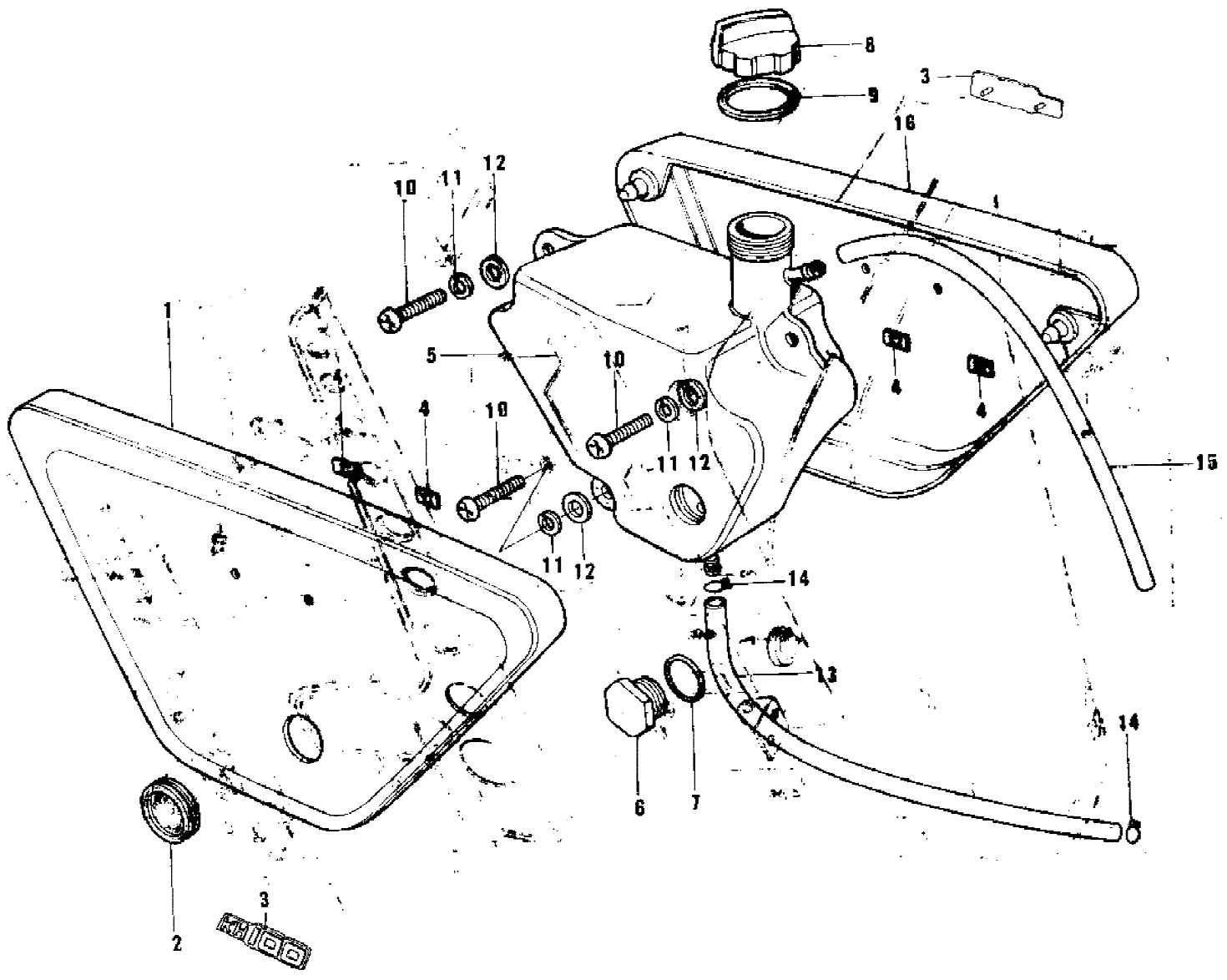
Ref #	Part Number	Qty	Description
1	42006-067-80	1	PANEL-ASY,RR BRK,BUFF
2	112G0630	1	BOLT-UPSET
2	112G0630	AL	BOLT-UPSET
3	41053-002	1	LEVER,FRONT BRAKE CAM
4	41072-007	1	NUT,6MM
5	41084-002	1	LABEL,FR BRK SHOE
6	41085-003	1	INDICATOR,BKSHOE
7	92055-004	1	"O" RING,11MM
8	41050-012	1	CAM SHAFT,FRONT BRAKE
9	41048-1085	2	SHOE-BRAKE
10	92081-1766	2	SPRING,BRAKE SHOE
11	42005-006	1	DRUM ASSY REAR BRAKE
12	601B6301Z	1	BEARING BALL #6301Z
13	42010-003	1	SPACER RR HUB BEARING
14	601B6301	1	BEARING BALL #6301
15	92052-001	1	OIL SEAL RR BRK DRUM
16	92001-021	4	BOLT REAR SPROCKET
17	42041-020	1	REAR SPROCKET 37T STD
17	42041-051	1	REAR SPROCKET 42T OPTION
18	92088-003	2	WASHER RR SPRCKT LOCK
19	311B0800	4	NUT,8MM
20	41068-1091	1	AXLE,12X206
21	411B1200	2	WASHER PLAIN 12MM
22	42032-006	1	COLLAR REAR HUB R.H
23	42032-005	1	COLLAR REAR HUB L.H
24	314B1200	1	NUT-HEX-FINE

FRONT



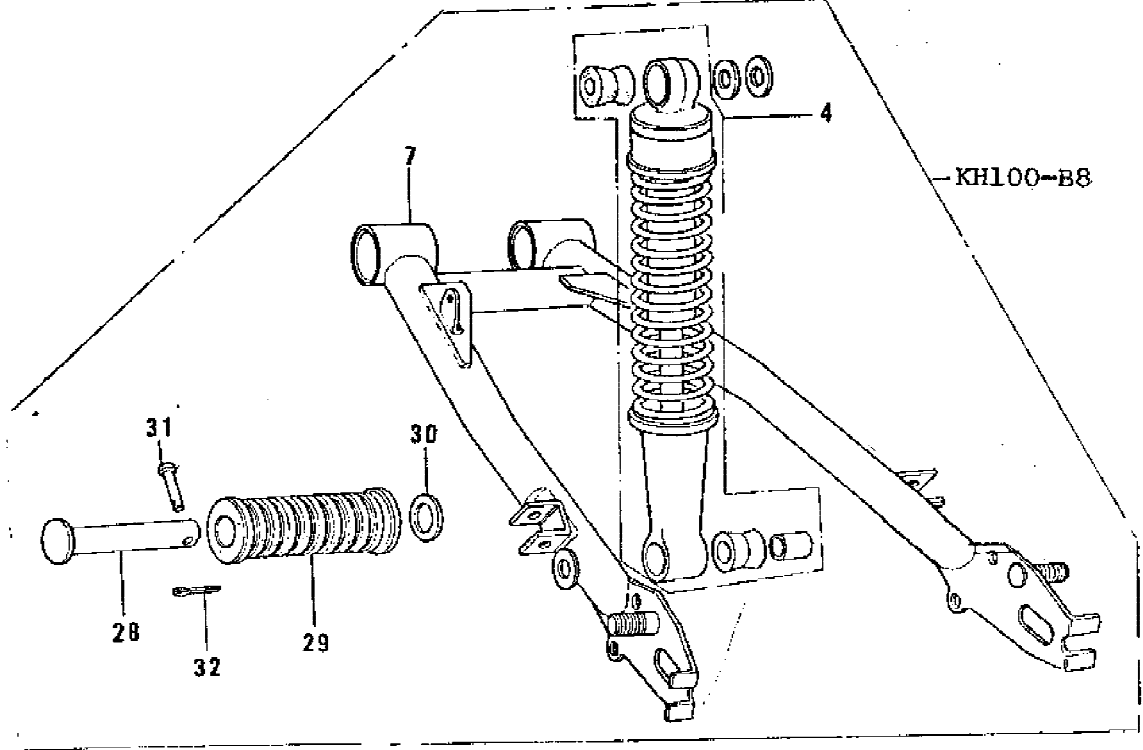
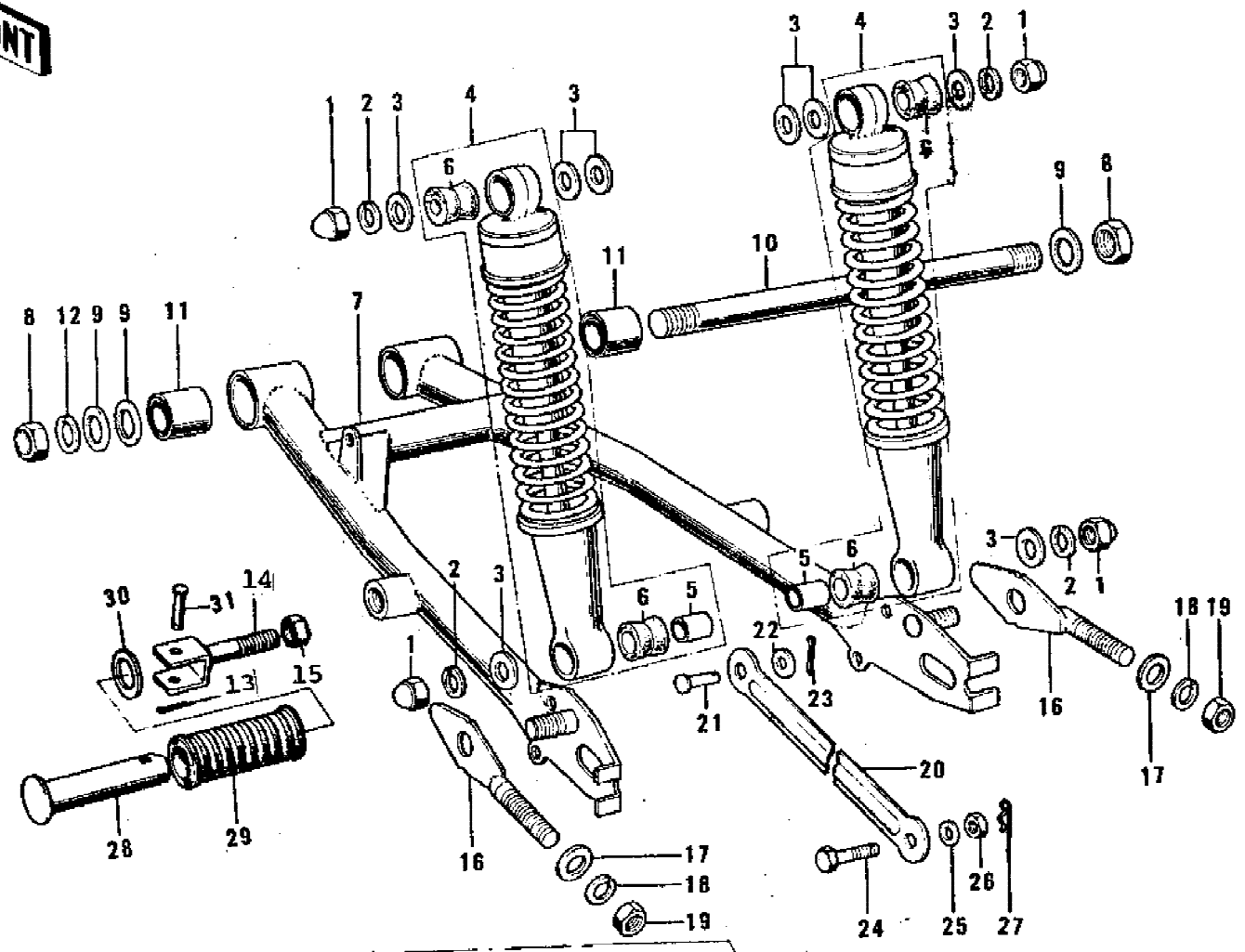


Ref #	Part Number	Qty	Description
1	53001-099	1	SEAT-ASSY,DUAL
1	53001-099	1	SEAT-ASSY,DUAL KH100-B8
2	53009-024	1	HINGE,FRONT
3	53009-023	1	HINGE,REAR
4	112B0614	4	BOLT-UPSET 6X14
4	112B0614	AL	BOLT-UPSET 6X14
5	461F0600	6	WASHER SPRING 6MM
6	92071-056	1	GROMMET
7	92075-023	4	DAMPER RUBB DUAL SEAT
8	32099-011	1	CASE
9	220B0408	2	SCREW PAN HEAD 4X8
10	92043-092	2	PIN-BRAKE CABLE FIT L=14M/M
11	92041-003	3	COTTER PIN
12	53008-017	1	HOOK-SEAT
13	53012-011	1	SPRING,HOOK
14	92043-106	1	PIN,DUAL SEAT PIVOT L=24M/M
15	92072-039	1	BAND-CHAIN OILER TANK
16	36014-052	1	CASE-CHAIN
16	36014-071	1	CASE-CHAIN KH100-B8
17	220B0508	1	SCREW PAN HEAD 5X8
18	461F0500	2	WASHER SPRING 5MM
19	410B0500	1	WASHER PLAIN 5MM
20	220B0512	1	SCREW PAN HEAD 5X12
21	695W43104	1	*** N.L.A.*** (Canada)
21	92057-026	1	DR CHAIN 428X104 KH100-B8
22	92058-1014	1	JOINT-CHAIN



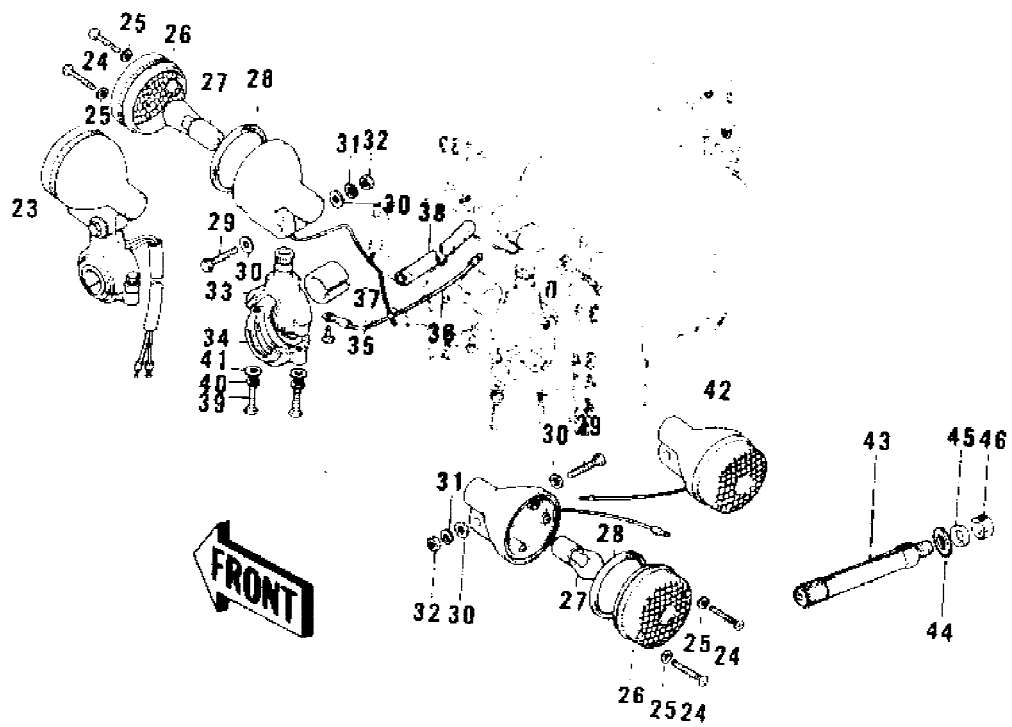
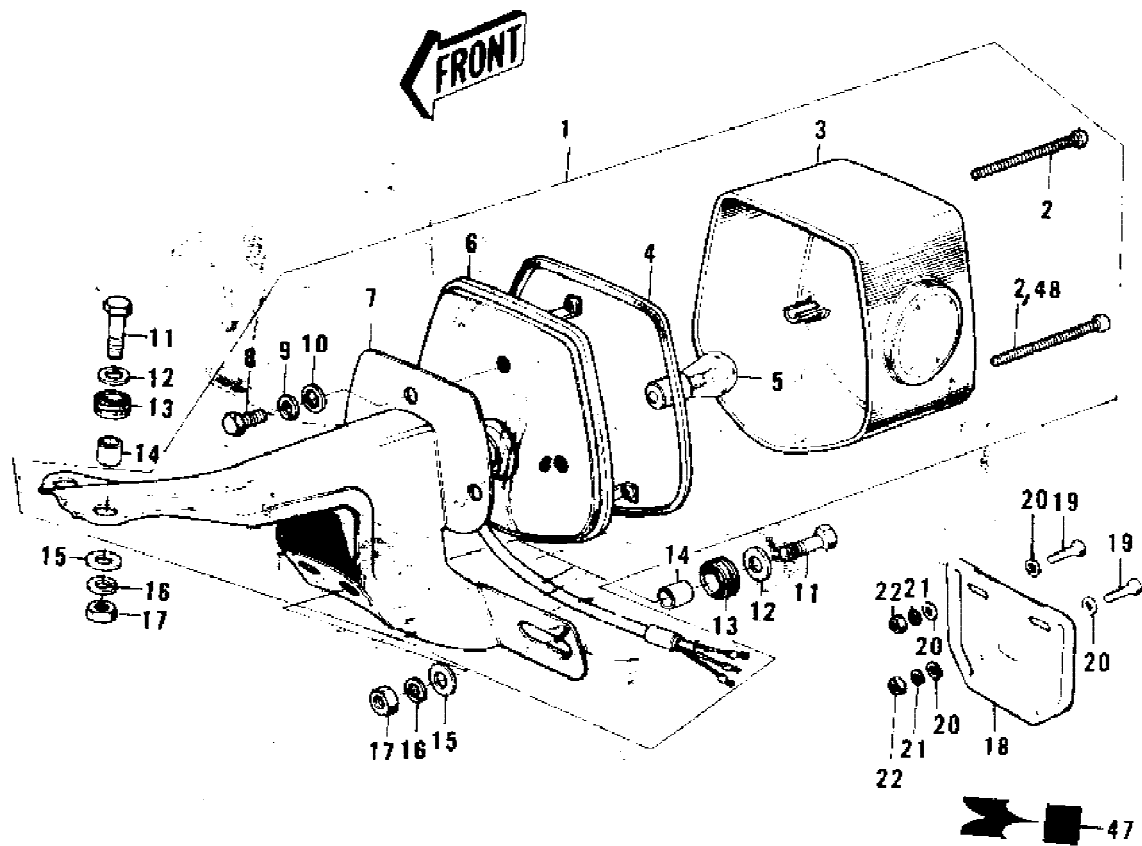
Ref #	Part Number	Qty	Description
1	36001-045-3S	1	COVER,L.H SIDE,C.R.BL
1	36001-045-4V	1	COVER,L.H SIDE,T.GREN KH100-B8
2	92071-065	1	GROMMET-R.H SIDE COV
3	56018-210	2	EMBLEM,SIDE COVER KH100-B8
4	92018-005	4	NUT,LOCK,3MM
5	52001-042	1	TANK,OIL
6	52015-002	1	GUAGE-OIL LEVEL
7	92055-051	1	"O" RING,20MM
8	52003-019	1	CAP-OIL TANK
9	92065-085	1	GASKET-OIL TANK CAP
10	220B0618	3	SCREW PAN HEAD 6X18
11	461F0600	3	WASHER SPRING 6MM
12	410B0600	3	WASHER PLAIN 6MM
12	92022-125	3	WASHER 6.5X20X1.6T KH100-B8
13	92059-072	1	PIPE-OIL
14	92037-010	2	CLAMP FUEL PIPE
15	700Q051000	1	TUBE-PVC,5X1000
16	36007-038-3S	1	COVER,RH SIDE,C.R.BLU
16	36007-038-4V	1	COVER,RH SIDE,T.GREEN KH100-B8

FRONT

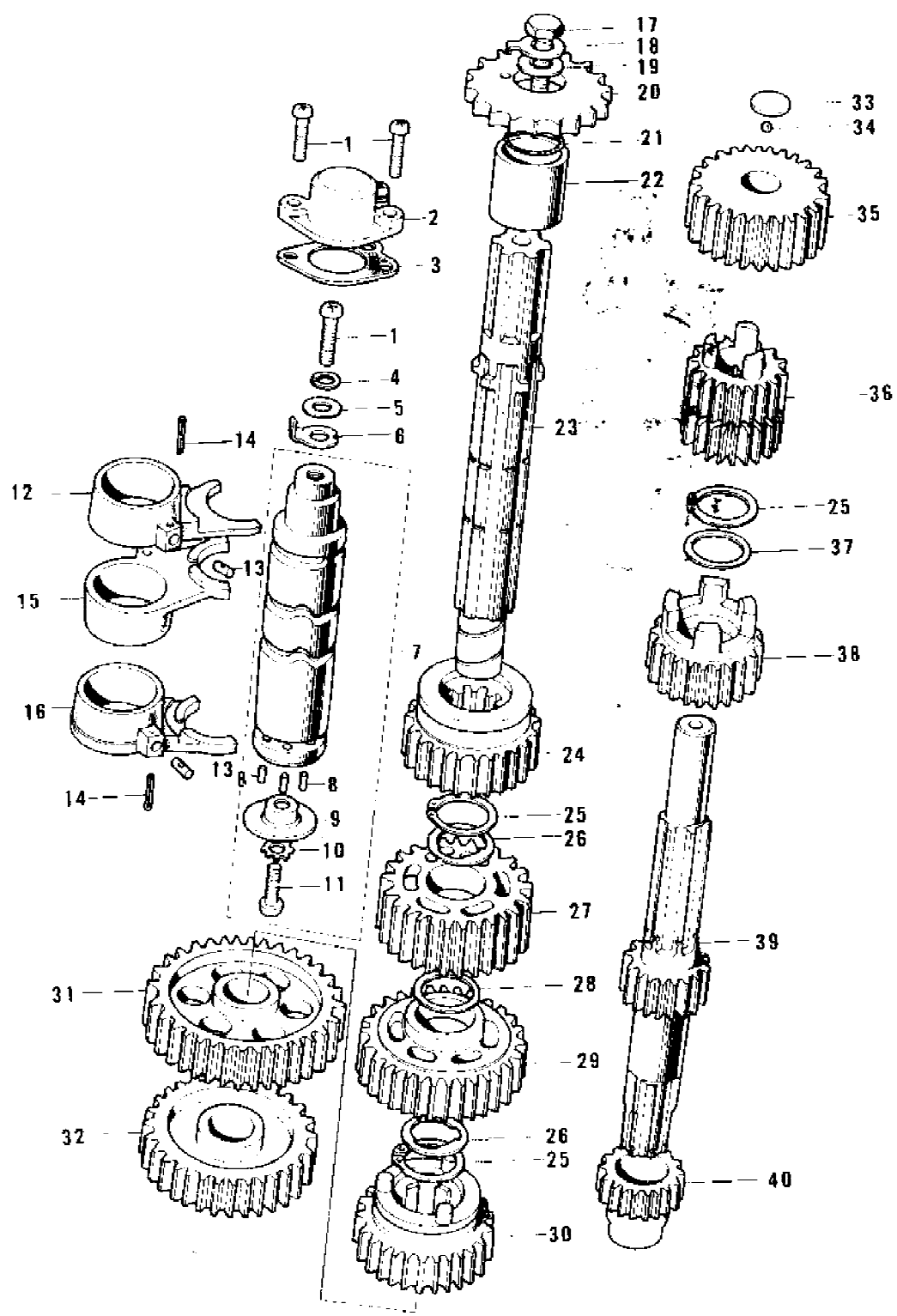


-KH100-B8

Ref #	Part Number	Qty	Description
1	92020-014	4	NUT 12MM
2	461F1200	4	WASHER SPRING 12MM
3	411B1200	8	WASHER PLAIN 12MM
4	45014-038	2	SHOCK ABSBR RR
4	45014-124	1	SHOCK ABSBR RR KH100-B8
5	45016-007	2	BUSHING,SHOCK ABSORB
6	45017-014	4	BUSHING,SHOK ABN RUB
7	33001-023	1	ARM,SWING
7	33001-093	1	ARM,SWING KH100-B8
8	314B1000	2	NUT,10MM
9	410B1000	3	WASHER PLAIN 10MM
10	33032-009	1	SHAFT SWING ARM PIVOT
11	92092-006	2	BUSH SWING ARM SHAFT
12	461F1000	1	WASHER SPRING 10MM
13	550D2015	2	PIN COTTER 2.0X15
14	33028-011	2	BRACKET,REAR FOOTREST
15	315B1200	2	NUT-HEX-FINE,12MM
16	33040-008	2	ADJUSTER CHAIN
17	410B0600	2	WASHER PLAIN 6MM
18	461F0600	2	WASHER SPRING 6MM
19	311B0600	2	NUT 6MM
20	43007-007	1	TORQUE LINK REAR BRK
21	43009-001	1	PIN REAR TORQUE LINK
22	410B1000	1	WASHER PLAIN 10MM
23	550D2520	1	PIN COTTER 2.5X20
24	92003-003	1	BOLT HEX HEAD 10X25
25	461F1000	1	WASHER SPRING 10MM
26	314B1000	1	NUT,10MM
27	554A0800	1	PIN,SNAP
28	34028-009	2	BAR-RR FOOTREST (OPT)
29	92076-024	2	RUBBER,REAR FOOTREST
30	92022-199	2	WASHER-PLAIN (OPT)
31	92043-1464	2	PIN
32			UNKNOWN

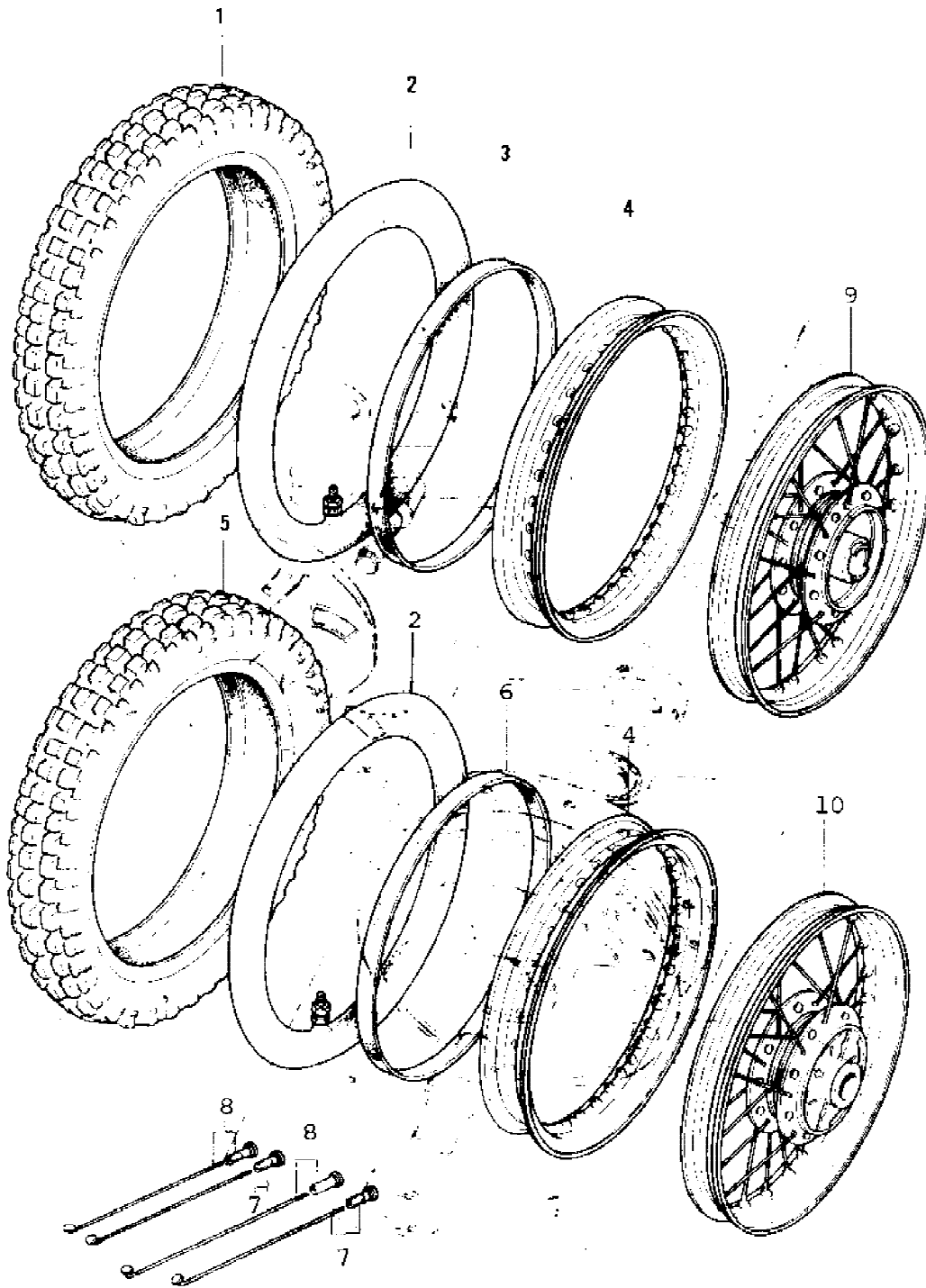


Ref #	Part Number	Qty	Description
1	23024-049-10	1	LAMP ASSY, TAIL, BLACK BLACK
2	220R0455	3	SCREW (1 REQ KH100-B8)
3	23026-028	1	LENS, TAIL LAMP
4	23028-019	1	GASKET, TAIL LAMP LENS
5	92069-074	1	BULB, 60-32/3CP
6	23027-1018	1	BODY COMP TAIL LAMP
7	23036-030-10	1	BKT, LICENSE PLT, BLAC BLACK
8	112B0614	3	BOLT-UPSET 6X14
8	112B0614	AL	BOLT-UPSET 6X14
9	461F0600	3	WASHER SPRING 6MM
10	411B0600	3	WASHER PLAIN 6MM (N/R KH100-B8)
11	112B0622	4	BOLT 6X22
11	112B0622	AL	BOLT 6X22
12	92022-125	4	WASHER 6.5X20X1.6T
13	92075-076	4	DAMPER RUBBER
14	92027-129	4	COLLAR, 6.8X10X8.5
15	411B0600	4	WASHER PLAIN 6MM
16	461F0600	4	WASHER SPRING 6MM
17	311B0600	4	NUT 6MM
18	11034-1117	1	BRACKET, LICENSE PLATE
19	112G0620	2	BOLT-UPSET, 6X20
20	411B0600	4	WASHER PLAIN 6MM
21	461F0600	2	WASHER SPRING 6MM
22	311B0600	2	NUT 6MM
23	23037-005	2	LAMP ASY-FR TURN SIG
24	220E0420A	8	SCREW-PAN HEAD, 4X20
25	23058-002	8	WASHER-PLAIN, 4MM
26	23048-1001	4	LENS, TURN SIGNAL LAMP
27	92069-056	4	BULB, 6V 21CP
28	23050-003	4	GASKET-SIG LAMP LENS
29	112G0630	4	BOLT-UPSET
30	411D0600	8	WASHER-PLAIN, 6MM
31	461F0600	4	WASHER SPRING 6MM
32	311B0600	4	NUT 6MM
33	23051-1004	2	BRACKET, FRNT TURN SIG
34	23051-1013	2	BRACKET, SIGNAL LAMP
35	220B0305A	2	SCREW PAN HEAD 3X5
36	26011-061	2	WIRE-TURN SIGNAL LEAD
37	23066-003	2	DAMPER RUBBER
38	26009-004	2	COVER-WIRING HARNESS
39	110N0516	4	BOLT
40	461F0500	4	WASHER SPRING 5MM
41	410D0500	4	WASHER-PLAIN, 5MM
42	23040-038	2	LAMP ASSY, TURN SIGNAL
43	23051-047	2	BRACKET, TURN SIGNAL
44	411B1200	2	WASHER PLAIN 12MM
45	461F1200	2	WASHER SPRING 12MM
46	311B1200	2	NUT, 12MM
47	56018-176	1	EMBLEM, LICNSE PLT BKT
48	220E0450	2	SCREW PAN HEAD 4X50 KH100-B8





Ref #	Part Number	Qty	Description
1	220B0616	3	SCREW PAN HEAD 6X16
2	13151-1002	1	SWITCH,NEUTRAL
3	13146-002	1	GASKET NEUTRAL SWITCH
4	461F0600	1	WASHER SPRING 6MM
5	410B0600	1	WASHER PLAIN 6MM
6	21007-1003	1	ROTOR,NEUTRAL INDICTR
7	13239-005	1	DRUM ASSY-GEAR CHANGE
8	92042-014	6	PIN GEAR CHANGE DRUM
9	13142-008	1	PLATE CHANGE DRUM PIN
10	464H0600	1	WASHER LOCK 6MM
11	220B0612	1	SCREW PAN HEAD 6X12
11	220B0614	1	SCREW PAN HEAD 6X14 KH100-B8
12	13140-009	1	FORK SELECTOR 3RD
13	92043-005	3	PIN SELECT FORK GUIDE
14	550D3020	3	PIN COTTER 3.0X20
15	13140-017	1	FORK SELECTOR 4TH-TOP
16	13140-010	1	FORK SELECTOR LOW-2ND
17	115G0816	1	BOLT-SMALL-UPSET,8X16
18	92030-012	1	WASHER,LOCK,8MM
19	92022-266	1	WASHER,ENGINE SPRCKT
20	13144-1058	1	SPROCKET-OUTPUT,14T S.T.D.
20	13144-1058	1	SPROCKET-OUTPUT,14T STD
20	13144-053	1	ENGINE SPROCKET,13T OPTION
20	13144-054	1	ENGINE SPROCKET,1ST OPTION
21	92055-022	1	"O" RING
22	92027-179	1	COLLAR,ENG NPROCKET
23	13128-021	1	SHAFT OUTPUT
24	13137-012	1	TOP GEAR OUTPUT SHAFT 23T
25	92033-014	3	CIRCLIP
26	92024-030	2	WASHER-LOCK
27	13133-005	1	3RD GEAR OUTPUT SHAFT 26T
28	92022-146	1	WASHER THRUST 1=1.6 M/M
29	13131-008	1	2ND GEAR OUTPUT SHAFT 30T
30	13129-1708	1	GEAR-TRANSMISSION SPU 24T
31	13129-010	1	LOW GEAR OUTPUT SHAFT 35T
32	13073-004	1	IDLE GEAR 30T
33	92022-115	1	WASHER THRUST
34	600A0700	1	BALL STEEL 7/32'
35	13129-1927	1	GEAR,INPUT TOP,24T 24T
36	13129-1052	1	2ND&3RD GEAR,DRIVE 2ND 17T
37	92022-118	1	WASHER THRUST T=1.2 M/M
38	13129-1053	1	4TH GEAR,DRIVE 22T
39	13127-032	1	SHAFT,DRIVE 12T
39	13127-032	1	SHAFT,DRIVE KH100-B8
40	13075-004	1	PINION KICKSTARTER 16T



Ref #	Part Number	Qty	Description
1	41014-027	1	*** N.L.A.*** (Canada) Y-93C
2	41022-032	2	TUBE 250/275-18
3	41023-1006	1	BAND,RIM,4.00/5.10-18
4	41025-011	2	RIM 1.60AX18W
4	41023-1006	1	BAND,RIM,4.00/5.10-18 KH100-B8
5	41014-028	1	*** N.L.A.*** (Canada) Y-93D
6	41023-001	1	BAND RIM
7	41027-055	36	SPOKE-ASY,FR INNER 185.5M/MX99
7	41027-056	1	SPOKE-ASY,RR INNER KH100-B8
8	41028-055	36	SPOKE-ASY,FR OUTER 185M/MX89.5
9	41074-002	1	WHEEL ASSY,FRONT
10	42048-001	1	WHEEL ASSY REAR