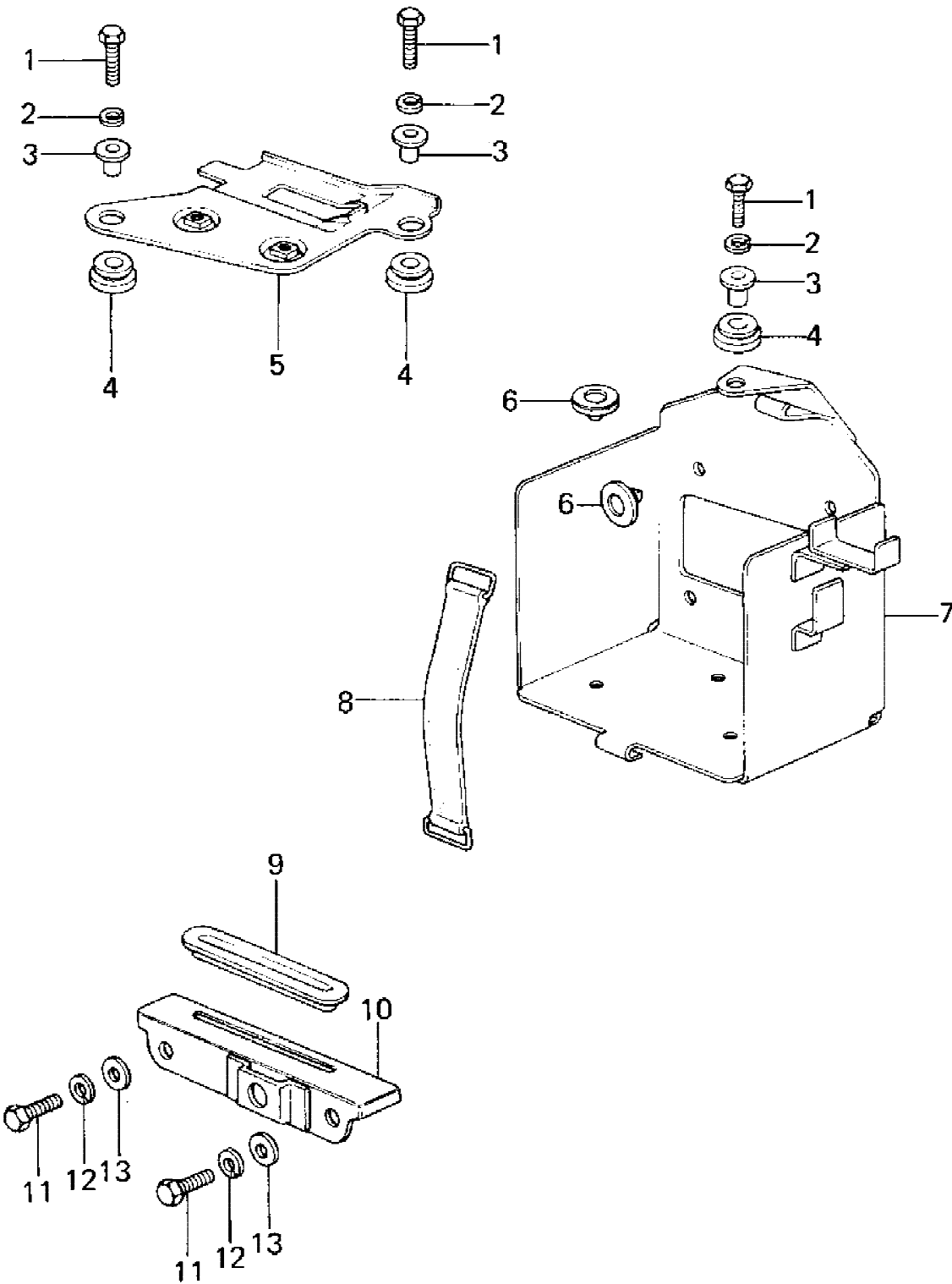
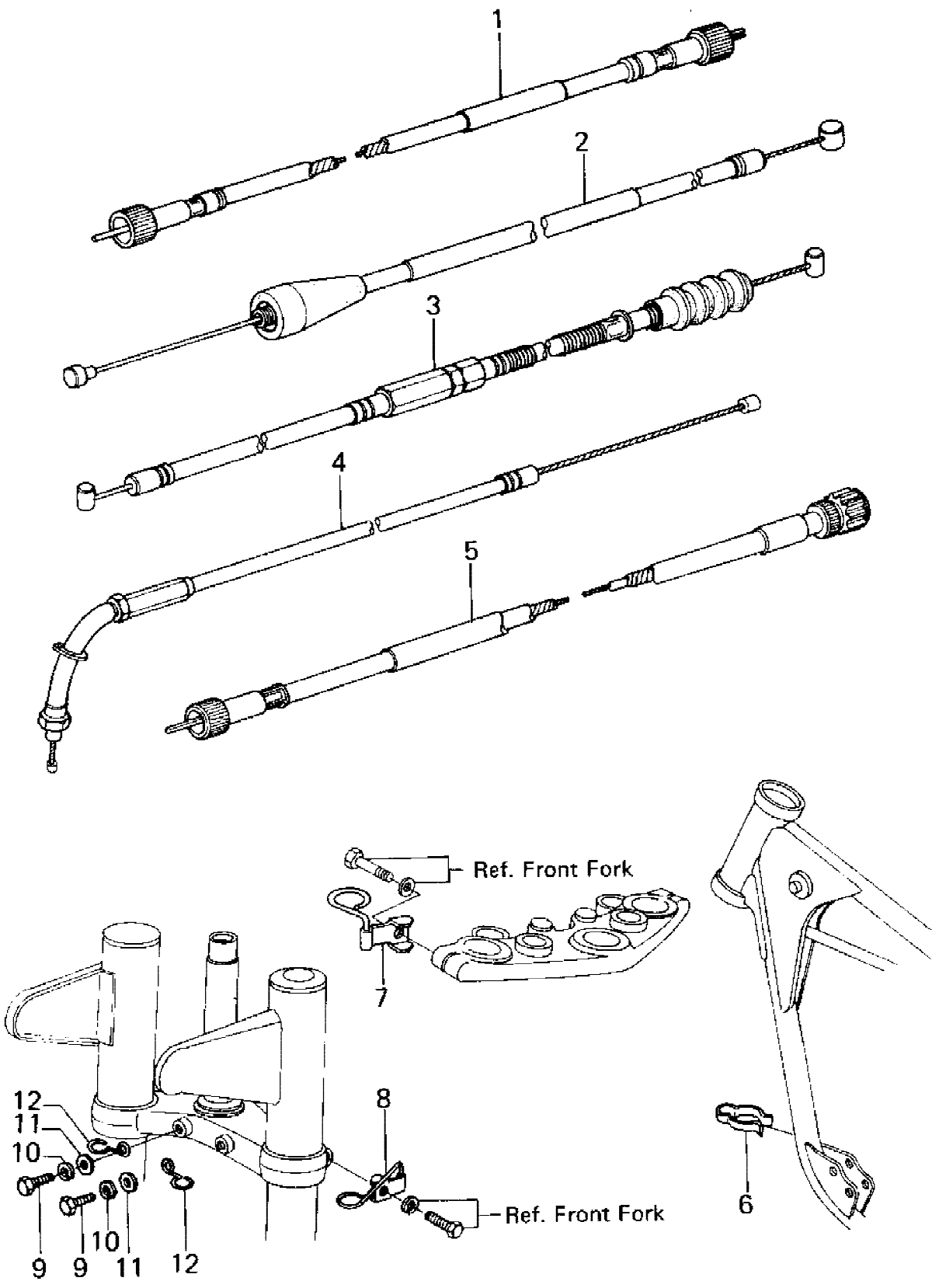


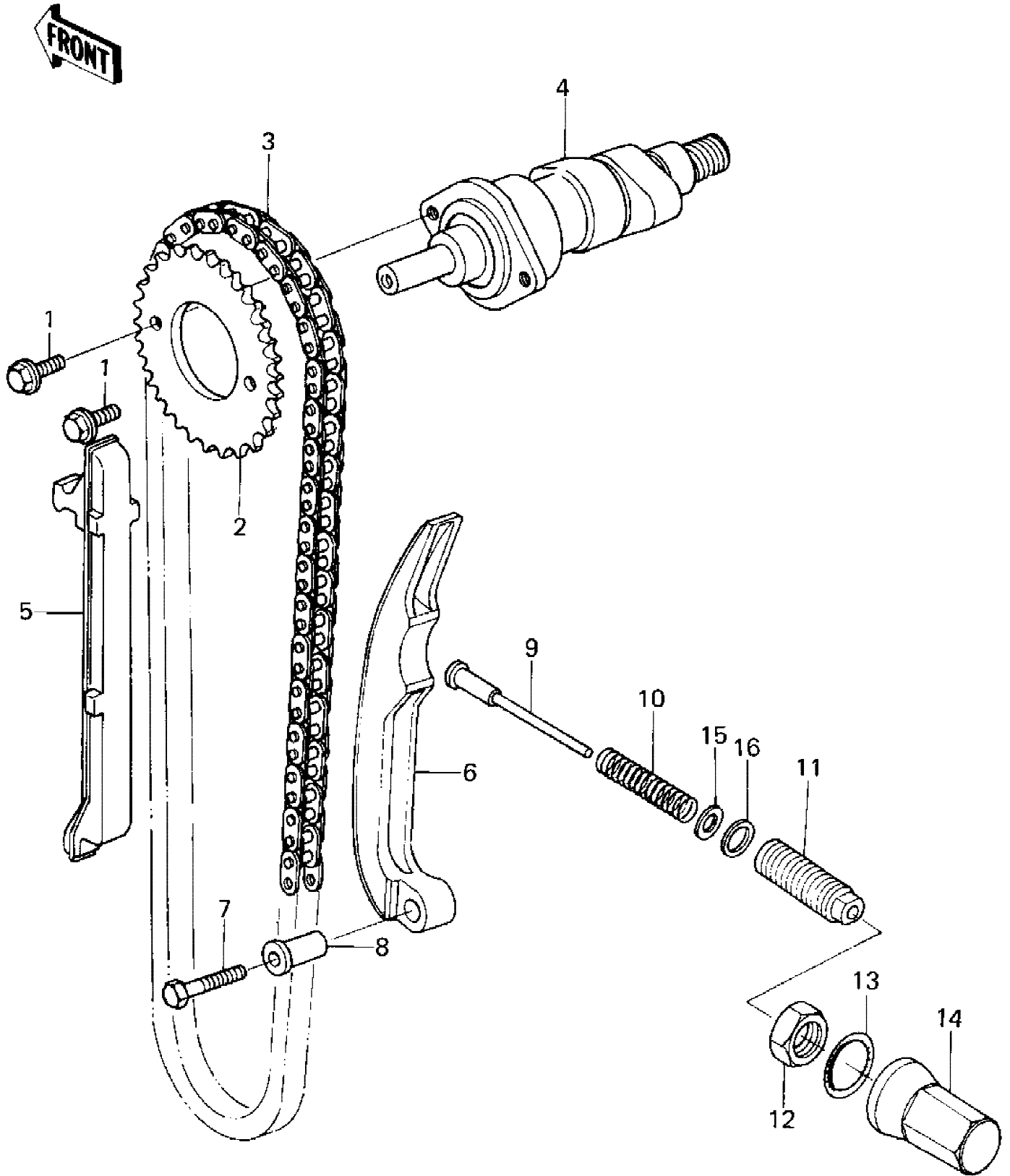
Ref #	Part Number	Qty	Description
1	11009-1866	1	GASKET,EXHAUST PIPE H
2	92027-278	2	INSERT,EXHAUST PIPE
3	18069-1006	1	HOLDER,EXHAUST PIPE
4	92017-014	2	NUT,LOCK 6MM
5	18001-1197	1	MUFFLER ASSY KZ200-A1
5	18001-1197	1	MUFFLER ASSY KZ200-A2
5-1	18001-5006	1	MUFFLER ASSY KZ200-A1A/A2
6	410B1000	1	WASHER PLAIN 10MM
7	113G1014	1	BOLT,HEX HEAD,10X14
8	18024-037	1	BRACKET,MUFFLER
9	461F0800	2	WASHER SPRING 8MM
10	115G0820	2	BOLT,8X20
11	92075-015	1	DAMPER RUBB MAIN STAD
12	11010-1024	1	AIR CLEANER ASSY KZ200-A1
12	11010-1024	1	AIR CLEANER ASSY KZ200-A1A/A2
13	92016-062	1	NUT,AIR CLEANER CAP
14	11012-1281	1	CAP,AIR FILTER
15	11013-059	1	ELEMENT,AIR CLNR
16	220B0610	2	SCREW PAN HEAD 6X10
17	92037-178	2	CLAMP,CARBURETOR HLDR
18	220B0525	2	SCREW-PAN-CROS,5X25
19	11015-065	1	PIPE,INLET
20	92059-138	1	TUBE,BREATHER
21	92037-213	2	CLAMP,BREATHER TUBE
22	92062-1002	1	BREATHER VALVE NOT USE FOR P/NO. 11010-1024
23	110R0610	1	BOLT (6X10) KZ200-A1A~



Ref #	Part Number	Qty	Description
1	112B0622	3	BOLT 6X22
2	461F0600	3	WASHER SPRING 6MM
3	92027-194	3	COLLAR
4	92075-277	3	DAMPER RUBBER
5	32129-015	1	BRACKET,BASE
6	92075-078	4	DAMPER RUBBER
7	32097-046	1	CASE,BATTERY
8	92072-006	1	BAND BATTERY
9	92075-280	1	DAMPER RUBBER
10	32129-014	1	BRACKET,BASE
11	115G0816	2	BOLT-SMALL-UPSET,8X16
12	461F0800	2	WASHER SPRING 8MM
13	411B0800	2	WASHER PLAIN 8MM

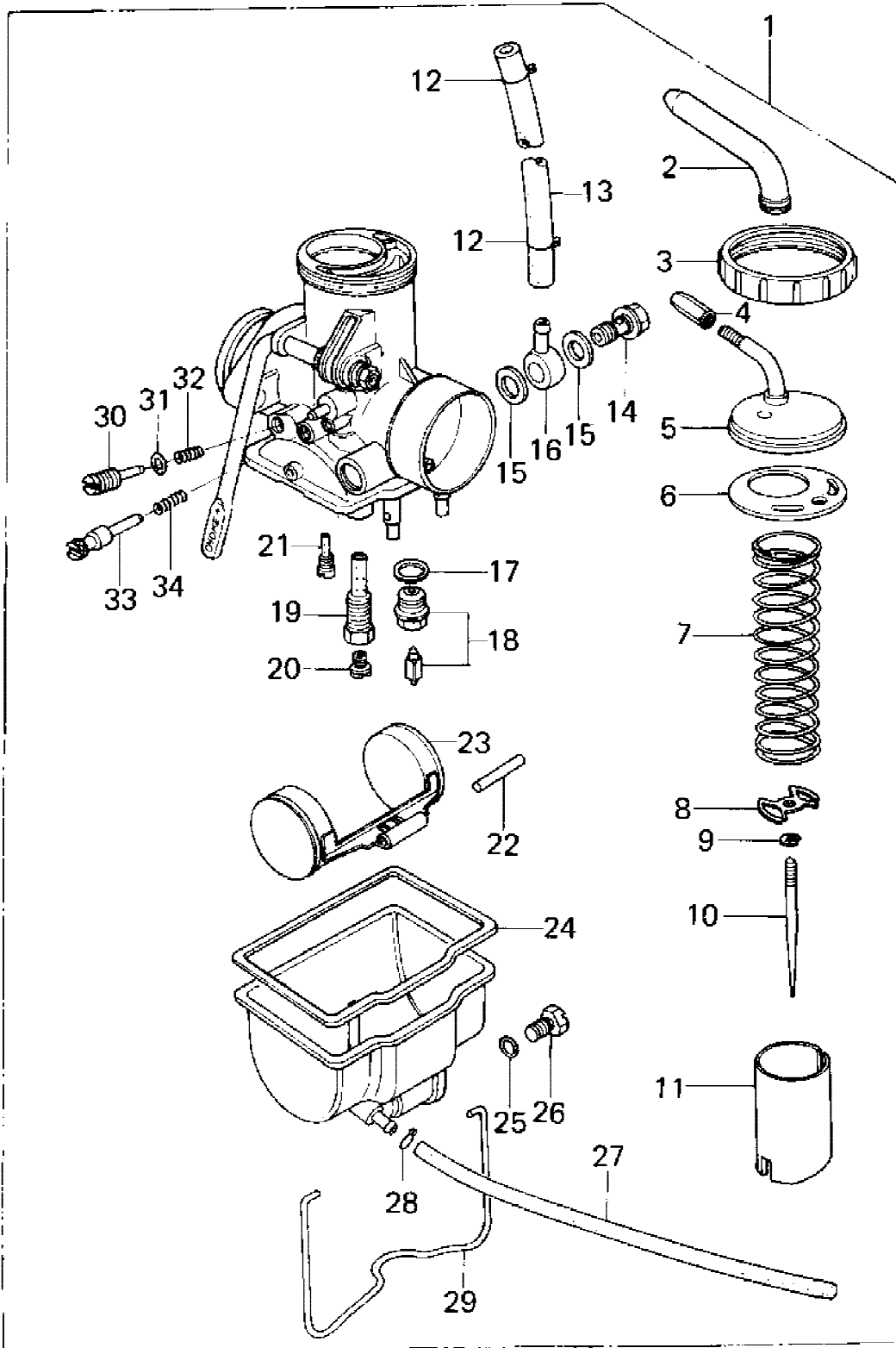


Ref #	Part Number	Qty	Description
1	54001-058	1	CABLE,SPEEDOMETER
2	54005-089	1	CABLE,FRONT BRAKE
3	54011-090	1	CABLE,CLUTCH
4	54012-144	1	CABLE,THROTTLE
5	54018-024	1	CABLE,TACHOMETER
6	92037-093	1	CLAMP,CABLE
7	92037-205	1	CLAMP,CABLE
8	92037-206	1	CLAMP,CABLE
9	112G0612	2	BOLT-UPSET,6X12
10	461F0600	2	WASHER SPRING 6MM
11	411B0600	2	WASHER PLAIN 6MM
12	92037-092	2	CLAMP,CABLE

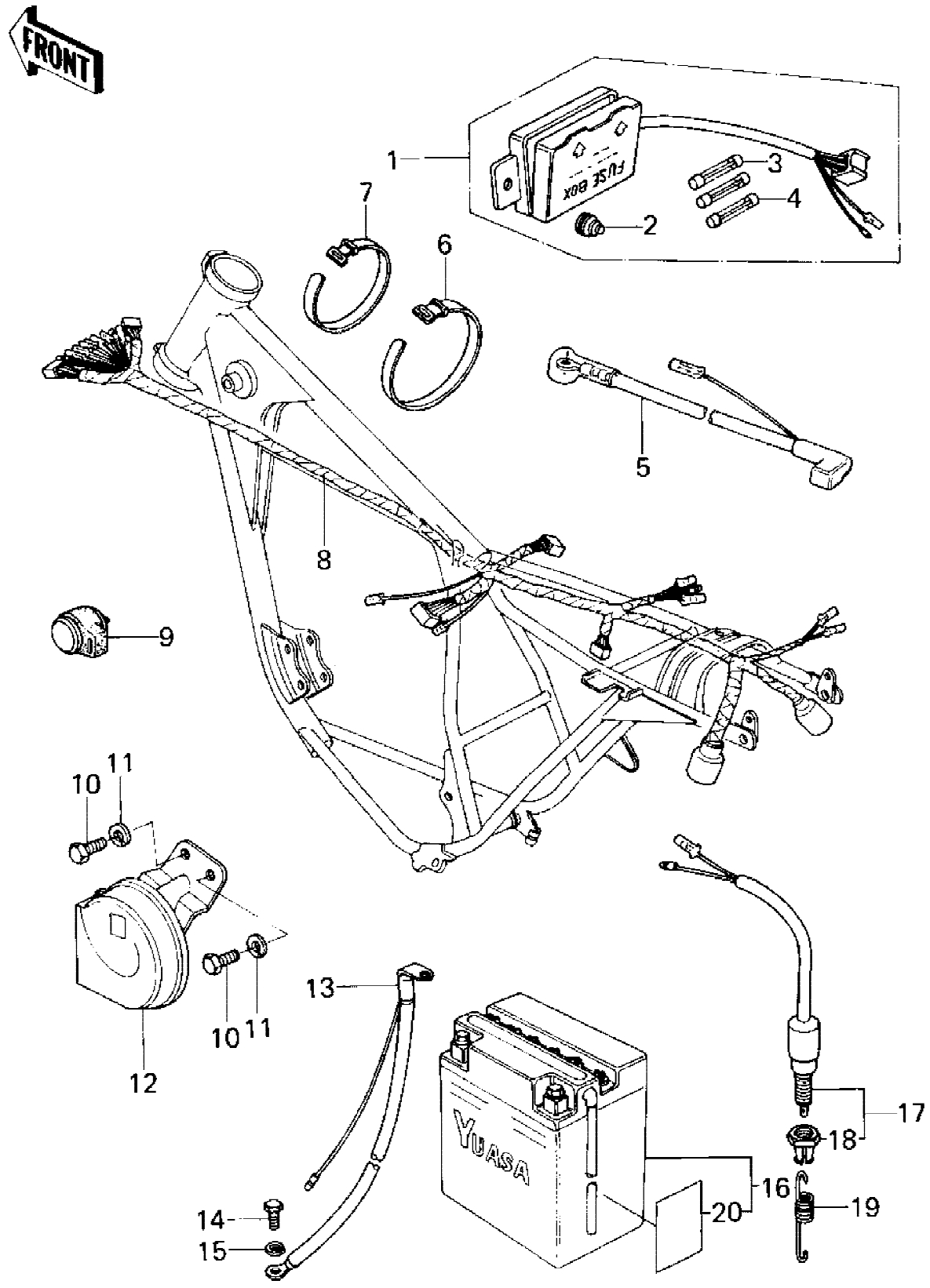


Ref #	Part Number	Qty	Description
1	92003-208	2	BOLT, SPROCKET FITTING
2	12046-1007	1	SPROCKET, CAM SHAFT KZ200-A1
2	12046-1007	1	SPROCKET, CAM SHAFT KZ200-A1A/A2
3	21070-013	1	CHAIN, CAM
4	12044-1040	1	SHAFT, CAM
5	12053-023	1	SLIPER, CAM CHAIN
6	12053-024	1	SLIPER, CAM CHAIN
7	112G0630	1	BOLT-UPSET
8	92027-155	1	COLLAR
9	13116-1003	1	ROD, PUSH
10	92081-131	1	SPRING, CHAIN TENSINR
11	92001-1271	1	GUIDE, PUSH ROD
12	92016-054	1	NUT, LOCK
13	92055-018	1	"O" RING, 22MM
14	12064-005	1	CAP, CAM CHAIN TENSION
15	92022-1029	1	WASHER, PLAIN STEEL
16	92022-1030	1	WASHER, PLAIN NYLON

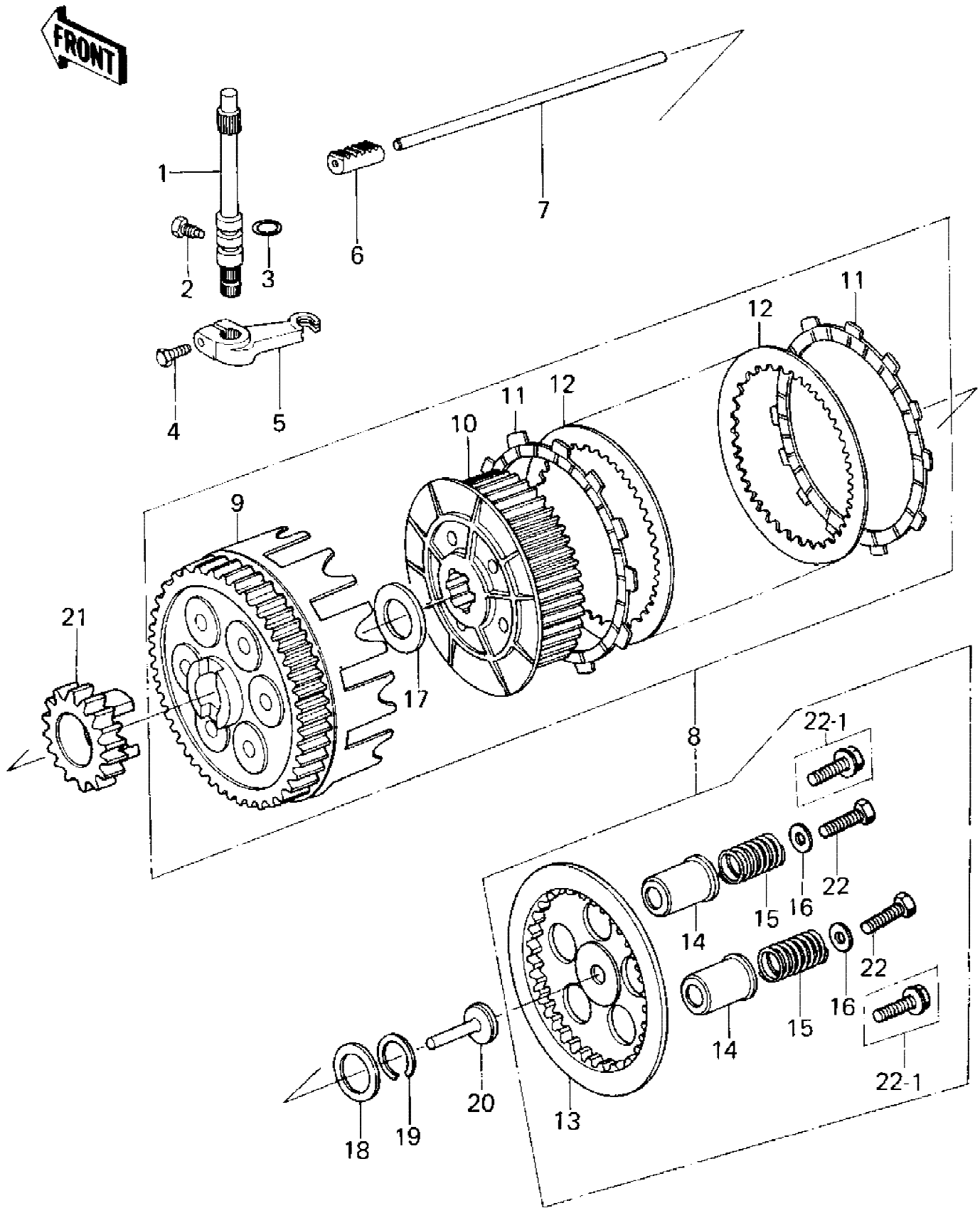




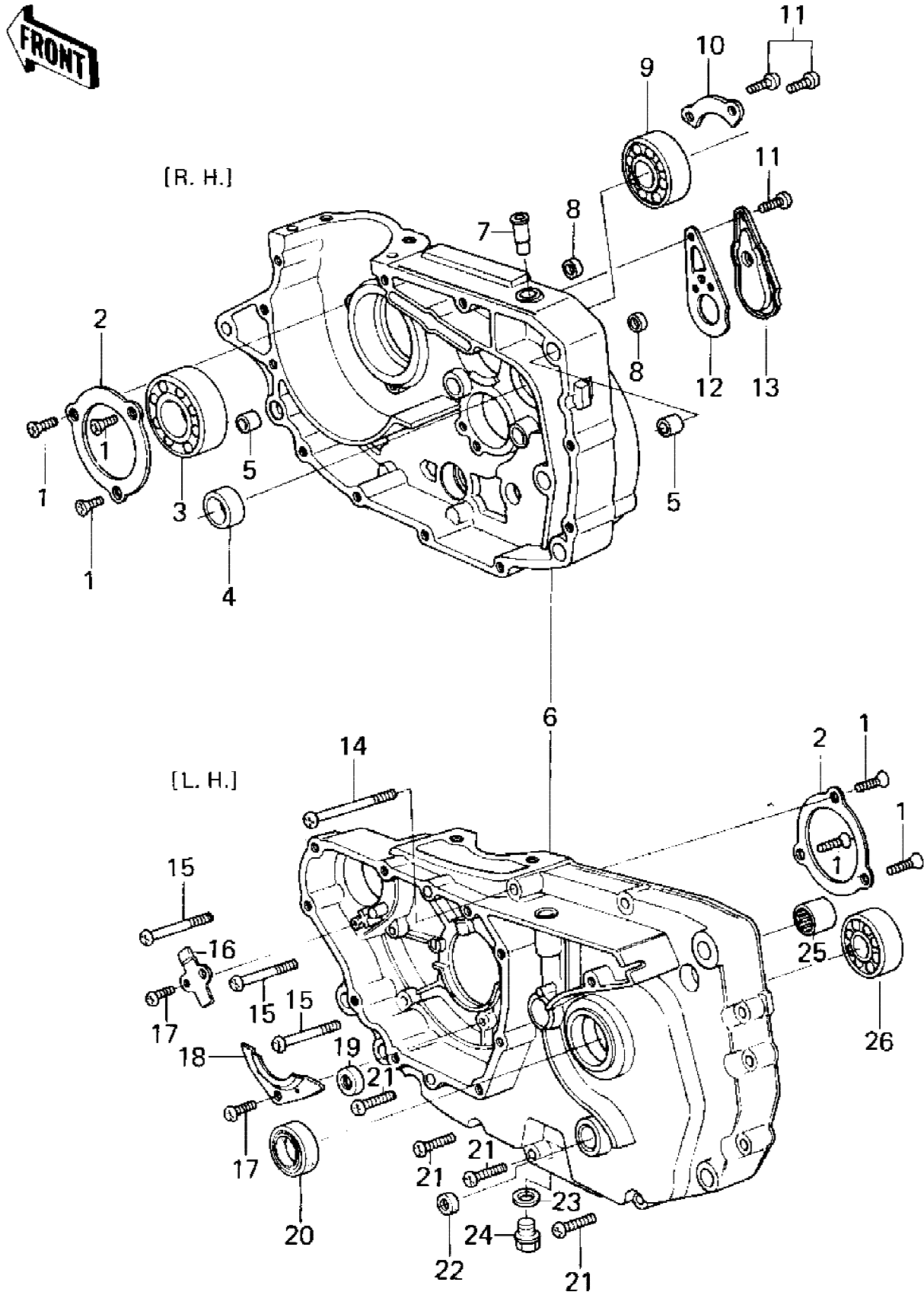
Ref #	Part Number	Qty	Description
1	16001-1068	1	CARBURETOR ASSY KZ200-A1
1	16001-1068	1	CARBURETOR ASSY KZ200-A2
1	16001-1027	1	CARBURETOR ASSY KZ200-A1A/A2
2	49006-1007	1	CAP,CABLE ADJUSTER
3	16004-1001	1	CAP,MIXING CHAMBER
4	16002-1002	1	ADJUSTER,CABLE
5	16005-1002	1	TOP,MIXING CHAMBER
6	11009-1026	1	GASKET,MIXING CHAMBER
7	92081-1034	1	SPRING,THROTTLE VALVE
8	16007-1003	1	SEAT,THROTTLE VAL SPR
9	92037-1039	1	CIRCLIP,JET NEEDLE
10	16009-1005	1	JET NEEDLE USE FOR 16001-1028/-1068
10	16009-1025	1	JET NEEDLE USE FOR 16001-1027
11	16025-1003	1	VALVE,THROTTLE USE FOR 16001-1028/-1027
11	16025-1015	1	VALVE,THRR,0.6/1.2 USE FOR 16001-1068
12	92037-1040	2	CLAMP,FUEL HOSE
13	92059-1014	1	HOSE,FUEL
14	92001-1051	1	BOLT,BANJO
15	92022-1021	2	WASHER,PLAIN
16	92005-1002	1	CONNECTOR,BANJO
17	11009-1027	1	GASKET,FLOAT VAV SEAT
18	16030-1002	1	FLOAT VALVE ASSY
19	16065-1006	1	HOLDER,NEEDLE JET USE FOR 16001-1028/-1068
19	16065-1008	1	HOLDER,NEEDLE JET USE FOR 16001-1027
20	92063-1009	1	MAIN JET,#105 USE FOR 16001-1028/-1068
20	92063-1114	1	JET-MAIN #110 USE FOR 16001-1027
20	92063-1008	1	MAIN JET,#100 RACING USE ONLY
20	92063-1118	1	JET-MAIN #115 RACING USE ONLY
20	92063-1011	1	MAIN JET,#120 RACING USE ONLY
21	92064-1002	1	PILOT JET,#38
22	92043-1011	1	PIN,FLOAT
23	16031-1003	1	FLOAT
24	11009-1028	1	GASKET,FLOAT CHAMBER
25	92055-1003	1	"O" RING,DRAIN SCREW
26	92009-1003	1	SCREW,DRAIN
27	92059-111	1	HOSE,FUEL OVERFLOW
27	92059-1046	1	HOSE,FUEL OVERFLOW
28	92037-1142	1	CLAMP,TUBE,OVERFLOW
29	92037-1041	1	CLIP,FLOAT CHAMB FITT
30	16014-1003	1	SCREW,PILOT AIR ADJUS
31	92055-1013	1	"O" RING
32	92081-1035	1	SPRING,PILOT AIR ADJ
33	16021-1004	1	SCREW,THROTTLE STOP
34	92081-1036	1	SPRING,THROT STOP SCR



Ref #	Part Number	Qty	Description
1	26004-035	1	FUSE ASSY
2	92075-279	1	DAMPER RUBBER,FUSE
3	26006-005	2	FUSE-20A
4	26006-003	3	FUSE 10A
5	26010-051	1	WIRE,MAGNETIC SWITCH
6	92072-056	2	BAND,WIRING HARNESS L=186 M/M
7	92072-030	6	BAND,SHORT L=123 M/M
8	26001-1158	1	WIRING HARNESS,MAIN
9	27002-011	1	RELAY-TURN SIGNAL
10	112G0612	2	BOLT-UPSET,6X12
11	461F0600	2	WASHER SPRING 6MM
12	27003-078	1	HORN ASSY
13	26010-052	1	WIRE,BATTERY GROUND
14	112G0612	1	BOLT-UPSET,6X12
15	461F0600	1	WASHER SPRING 6MM
16	26012-050	1	YUA BAT 12N10-3B YUASA (12N10 38)
17	27010-025	1	SWITCH,BRAKE LIGHT
18	27037-001	1	NUT,BRAKE LAMP SWITCH
19	27011-017	1	SPRING,BRAKE LAMP SN
20	56040-1036	1	LABEL-WARNING,BATTERY

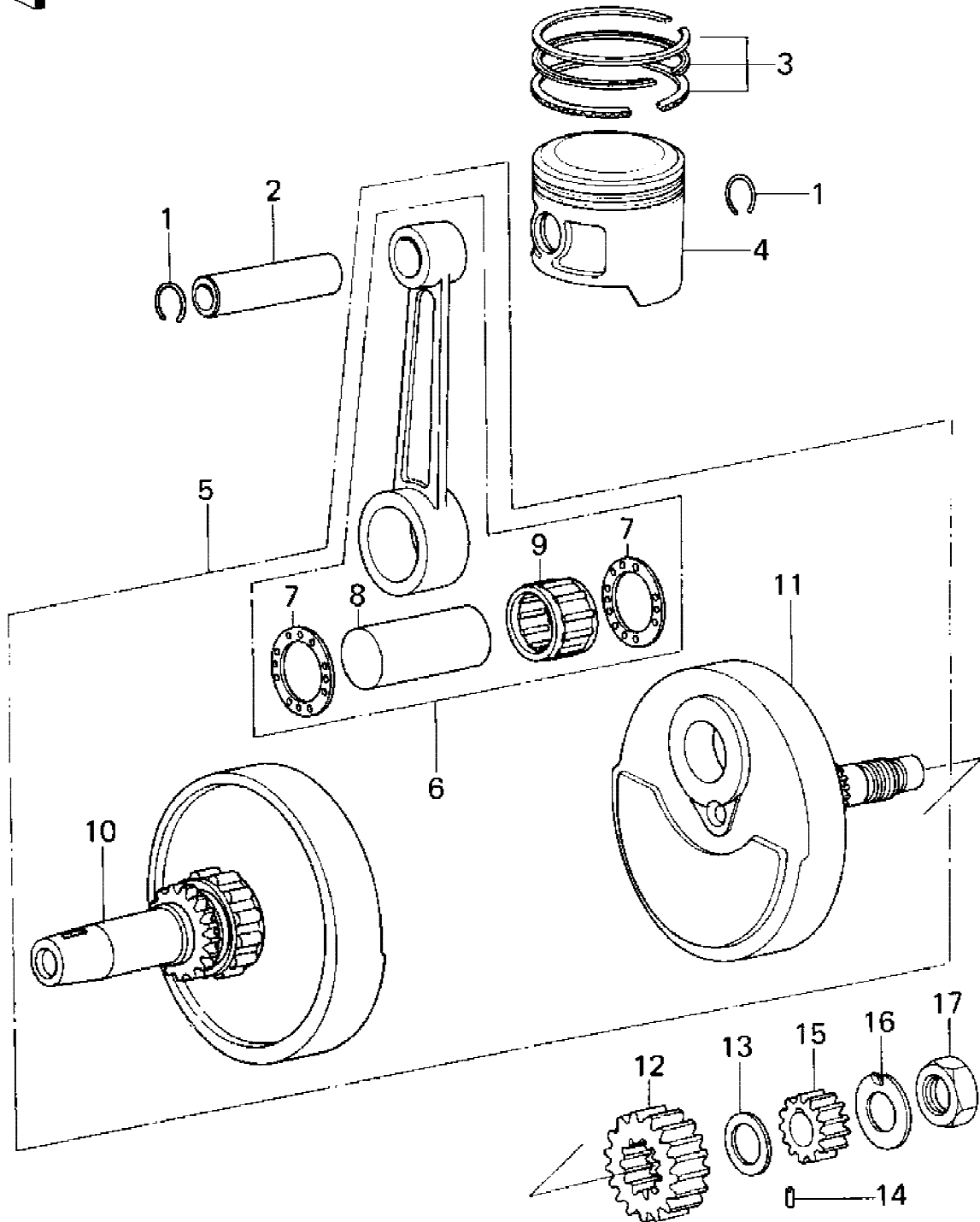


Ref #	Part Number	Qty	Description
1	13106-006	1	SHAFT,CLUTCH RELEASE
2	92003-130	1	BOLT,CLUTCH RELEASE
3	670B2010	1	"0" RING, 10MM
4	112G0618	1	BOLT-UPSET
5	13103-028	1	LEVER,CLUTCH RELEASE
6	13116-1040	1	ROD,CLUTCH PUSH
7	13116-032	1	ROD,PUSH
7	13116-1002	1	ROD,CLUTCH PUSH,LONG E/NO. 005063~
8	13081-083	1	CLUTCH-ASSY
8	13081-1051	1	CLUTCH-ASSY E/NO. 005063~
9	13095-1006	1	HOUSING,CLUTCH
10	13087-045	1	HUB,CLUTCH
10	13087-1001	1	HUB,CLUTCH E/NO. 005063~
11	13088-015	6	PLATE CLUTCH FRICTION
11	13088-015	7	PLATE CLUTCH FRICTION E/NO. 005063~
12	13089-013	5	PLATE CLUTCH STEEL
12	13089-013	6	PLATE CLUTCH STEEL E/NO. 005063~
13	13187-005	1	PLATE-CLUTCH SPRING
14	13092-005	5	GUIDE CLUTCH SPRING
15	92081-083	5	SPRING-CLUTCH
16	13091-011	5	HOLDER,CLUTCH SPRING NOT USE FOR P/NO. 92001-1066
17	92022-321	1	WASHER,PLAIN
18	92022-112	1	WASHER, PLAIN
19	92033-029	1	CIRCLIP,18MM
20	13116-016	1	PUSHER-CLTCH SPRG PLT
21	13075-012	1	PINION,KICKSTARTER
22	112G0618	5	BOLT-UPSET
22-1	92001-1066	5	BOLT,CLUTCH SPR FITT

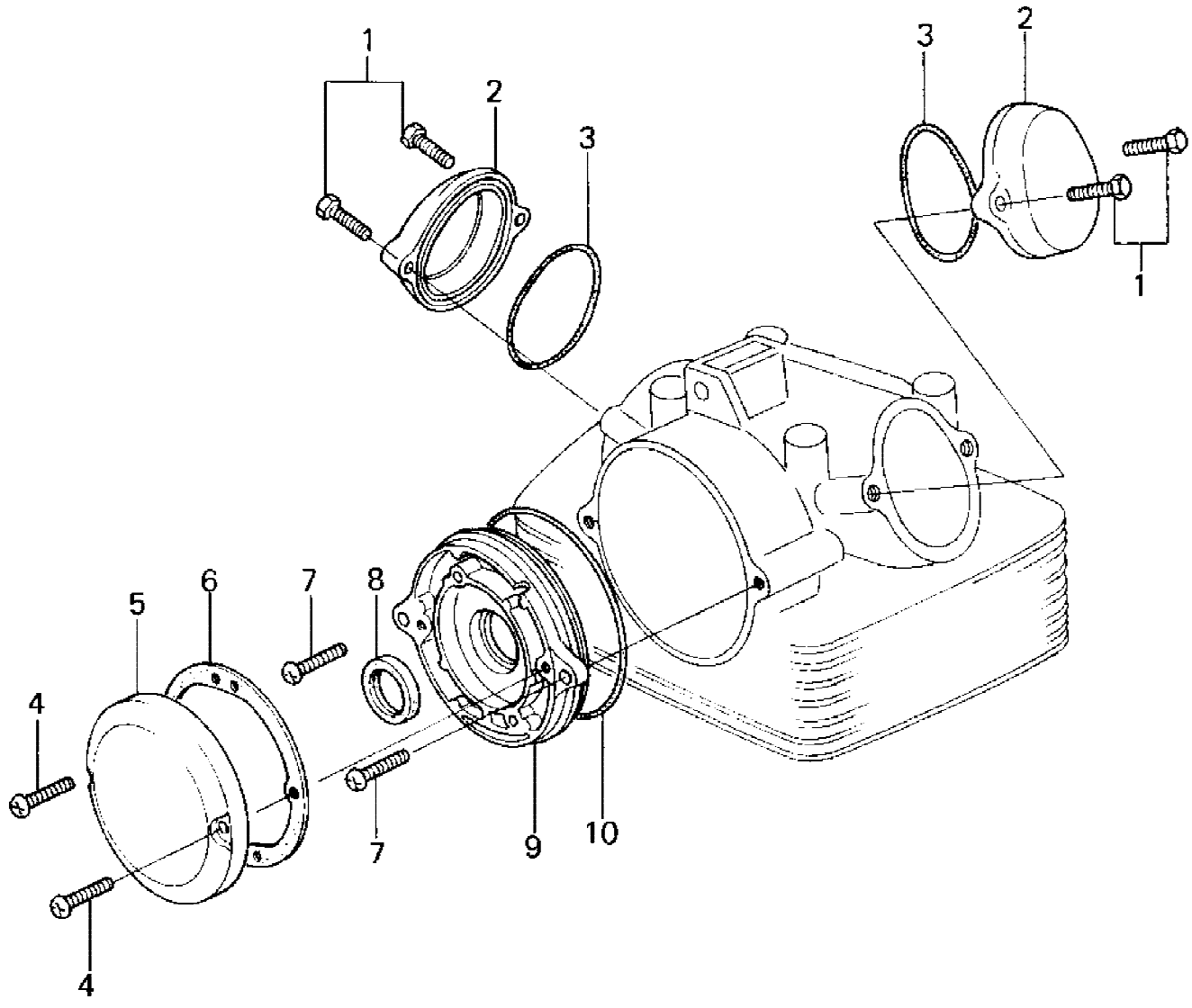


Ref #	Part Number	Qty	Description
1	221B0616	6	SCREW CNTSNK HD 6X16
2	14014-1004	2	PLATE,POSITIONING
3	92045-037	1	BEARING,BALL,#6306
4	92028-132	1	BUSHING
5	92042-032	2	PIN,DOWEL,14MM
6	14001-5083	1	SET-CRANKCASE
7	14067-006	1	BREATHER JOINT
8	92066-1282	2	PLUG
9	92045-038	1	BEARING,BALL#6006
10	14014-037	1	PLATE,POSITIONING
11	220B0614	3	SCREW PAN HEAD 6X14
12	16079-002	1	GASKET
13	16078-002	1	CAP
14	220B0675	1	SCREW PAN HEAD 6X75
15	220B0655	3	SCREW PAN HEAD 6X55
16	13169-1010	1	PLATE
17	220B0614	2	SCREW PAN HEAD 6X14
18	14014-035	1	PLATE,POSITIONING
19	92050-077	1	OIL SEAL,PUSH ROD
20	92049-1159	1	SEAL-OIL,TC32457
21	220B0630	8	SCREW PAN HEAD 6X30
22	92050-082	1	OIL SEAL,CHANGE SHAFT
23	92065-097	1	GASKET,DRIN PLUG
24	92066-1174	1	PLUG,OIL DRAIN,12X15
25	92046-060	1	BRG,NEEDLE,HMK1515B
26	601B6205	1	BEARING BALL #6205

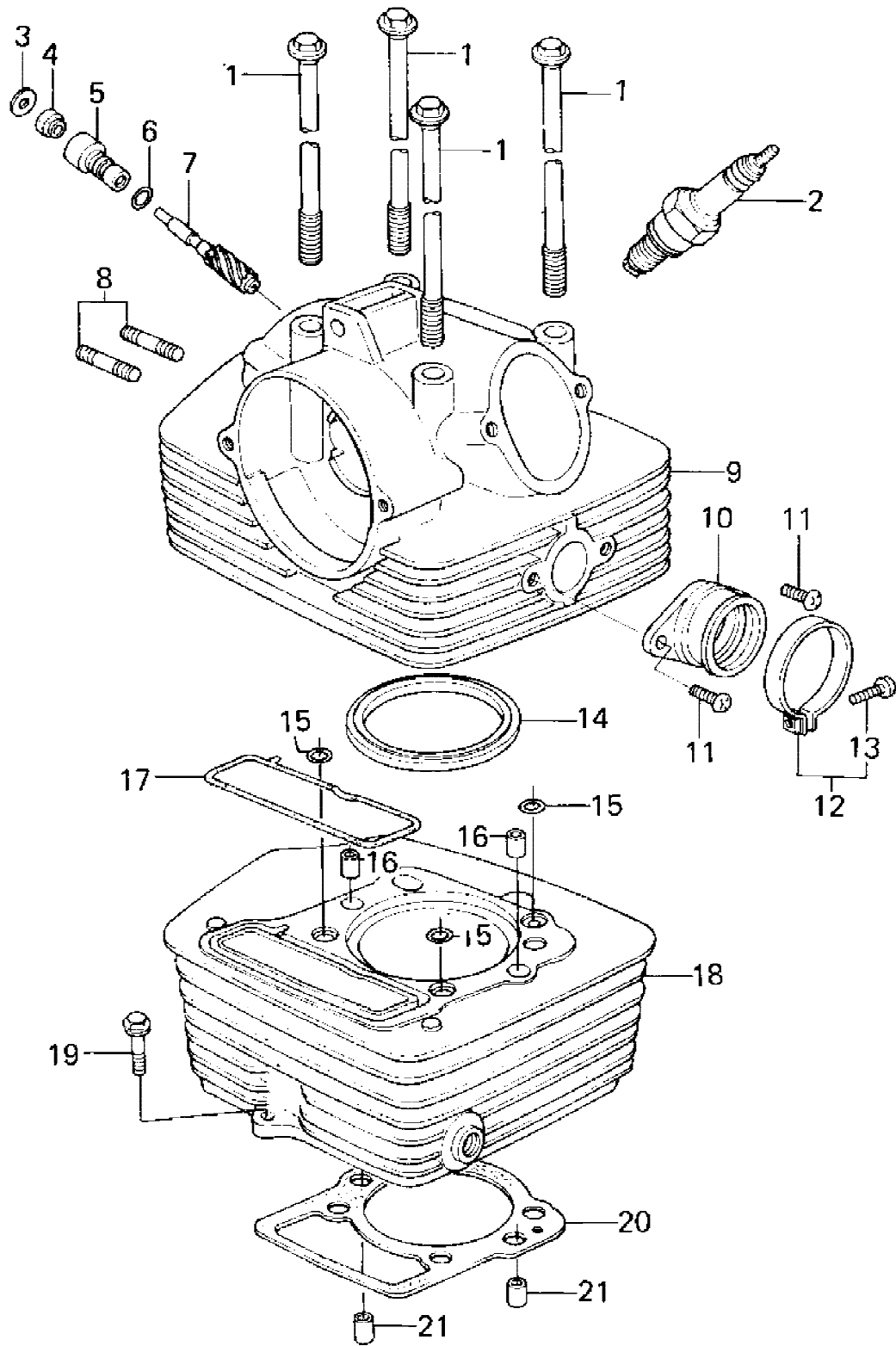




Ref #	Part Number	Qty	Description
1	92036-021	1	CIRCLIP,PISTON PIN
2	13002-026	1	PIN-PISTON
3	13008-5005	1	RING SET,STD
3	13025-5004	1	RING SET,0.020"O.S
3	13024-5005	1	RING SET,0.040"O.S
4	13001-083	1	PISTON,STD
4	13029-1001	1	PISTON,0.020"O/S
4	13027-1001	1	PISTON,0.040"O/S
5	13031-055	1	CRANKSHAFT ASSY
6	13044-5006	1	CONNECTING ROD ASSY
7	92026-087	2	SPACER,CONNECTING ROD
8	13035-035	1	PIN,CRANK
9	13034-031	1	BRG,NEEDLE PK293921.4
10	13037-5001	1	CRANKSHAFT,L.H
11	13037-1149	1	CRANKSHAFT,RH
12	13121-035	1	GEAR,PRIMARY
13	92022-170	1	WASHER-THRUST
14	551A0312	1	PIN DOWEL 3X12
15	16084-018	1	GEAR,OIL PUMP
16	420B1611	1	WASHER,LOCK,16M/M
17	315B1600	1	NUT 16MM



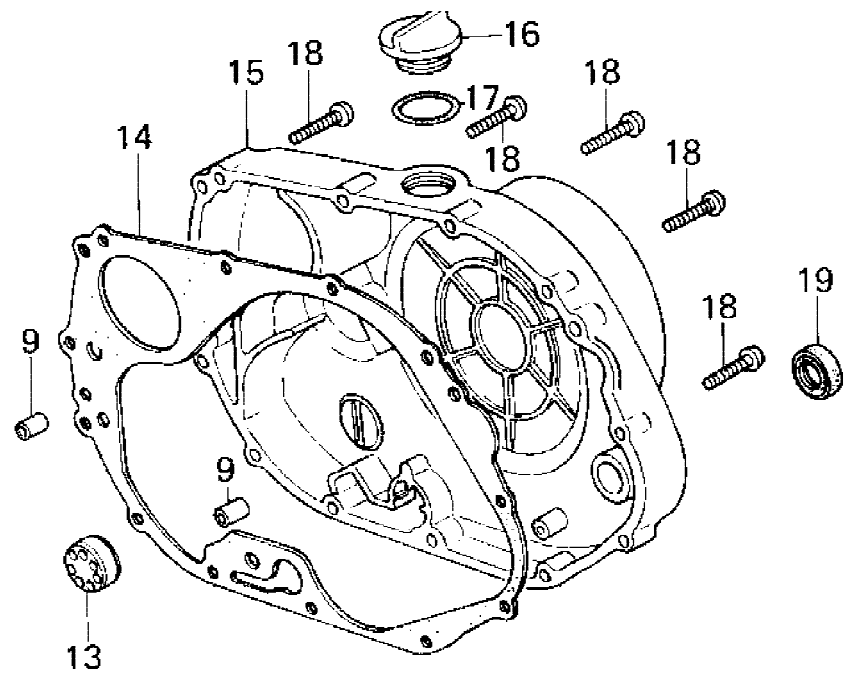
Ref #	Part Number	Qty	Description
1	130G0625	4	BOLT,FLANGED,6X25
2	11027-004-2H	2	CAP,ROCKER ARM BARREL
3	92055-112	2	"O" RING,53.5MM
4	220B0625	2	SCREW PAN HEAD 6X25
5	14027-022-2H	1	CAP,CONTACT BREAKER BARREL
6	14050-012	1	GASKET,CONTACT BREAKR
7	220B0625	2	SCREW PAN HEAD 6X25
8	92050-079	1	OIL SEAL
9	21136-010	1	COVER,CONTACT BREAKER
10	92055-107	1	"O" RING,99M/M



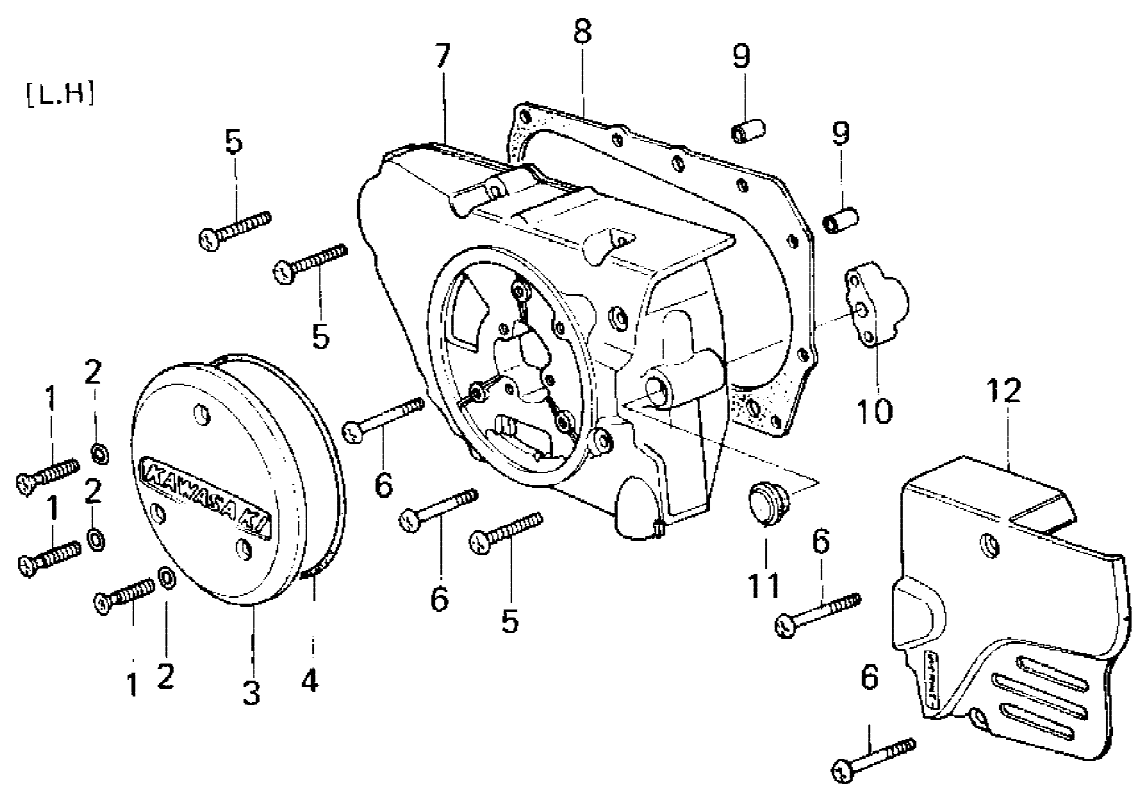
Ref #	Part Number	Qty	Description
1	92003-220	4	BOLT,8X233
2	B7ES	1	SPARK PLUG B7ES
3	92065-104	1	GASKET,TACHO GEAR
4	92050-075	1	OIL SEAL
5	92087-011	1	GUIDE,TACHOMETER GEAR
6	92055-1149	1	RING-O,10MM
7	13223-012	1	GEAR,TACHOMETER
8	92004-066	2	STUD,6X27
9	11002-5014	1	HEAD ASSY,CYLINDER
10	16065-045	1	HOLDER,CARBURETOR
11	220B0614	2	SCREW PAN HEAD 6X14
12	92037-178	1	CLAMP, CARBURETOR HOLDER
13	220B0525	1	SCREW-PAN-CROS,5X25
14	11004-1004	1	GASKET,CYLINDER HEAD
15	92055-1149	3	RING-O,10MM
16	92043-1037	2	PIN,DOWEL,10X8.2X14
17	92055-105	1	"O" RING
18	11005-153	1	CYLINDER
19	92003-202	1	BOLT
20	11009-043	1	GASKET,CYLINDER BASE
21	92043-1037	2	PIN,DOWEL,10X8.2X14



[R.H.]

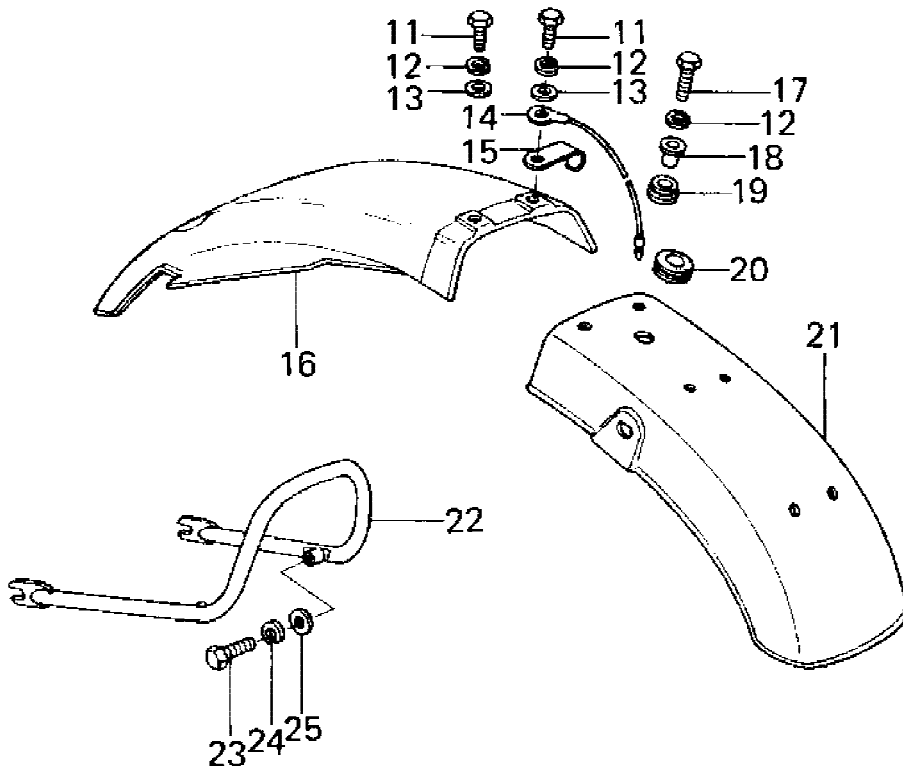
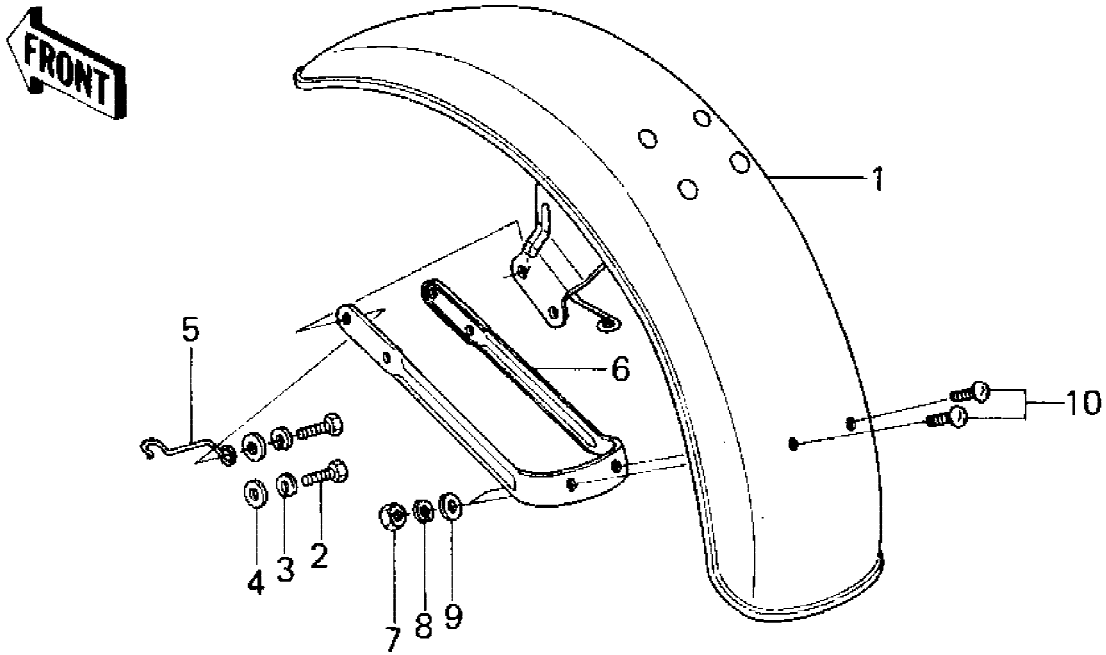


[L.H.]

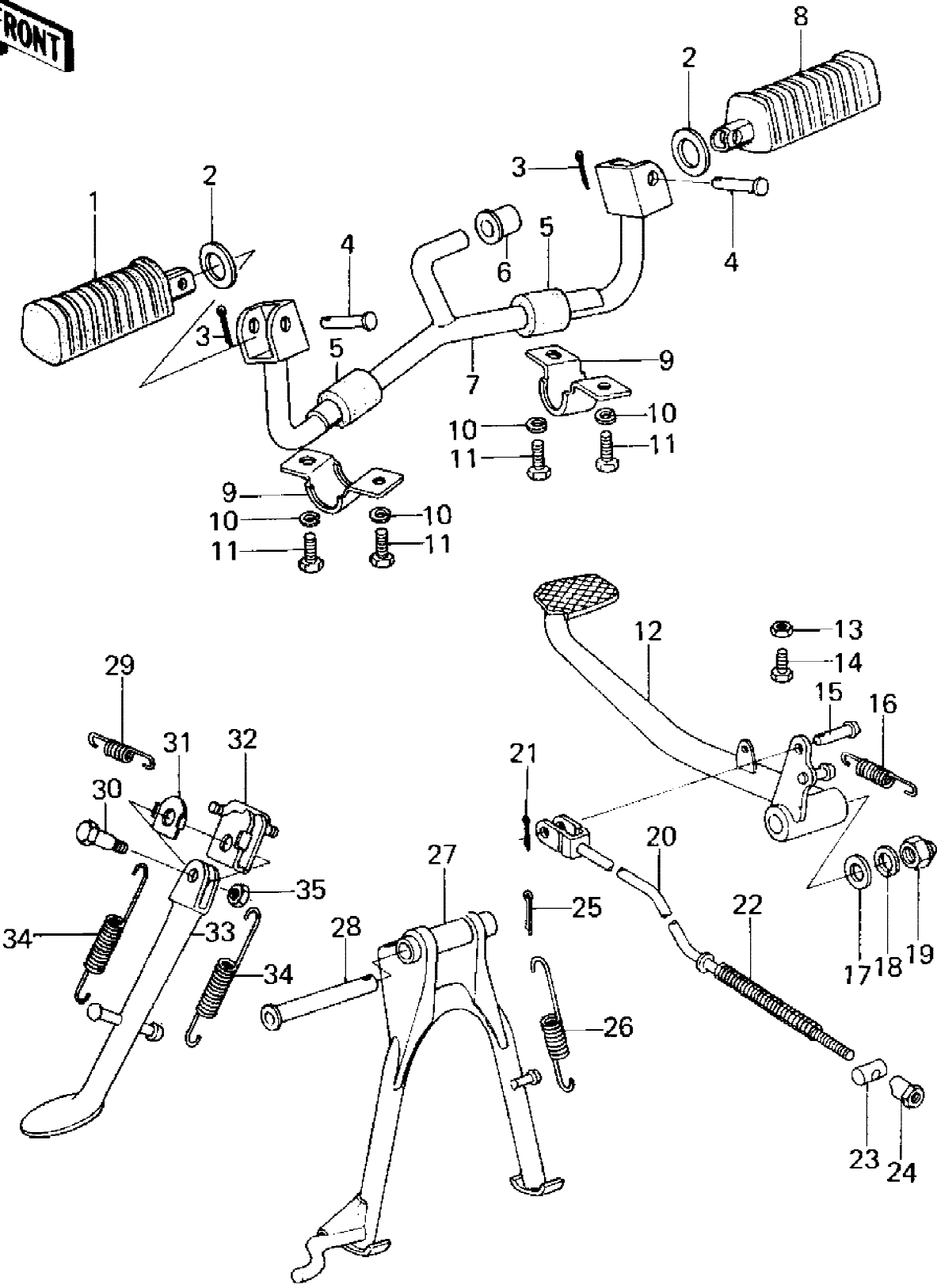


Ref #	Part Number	Qty	Description
1	222E0625	3	SCREW OVL CNTSK 6X25
2	92055-109	3	"O" RING,DYNAMO COVER
3	14025-1107	1	COVER,GENERATOR BARREL
4	92055-108	1	"O" RING,DYNAMO COVER
5	220B0630	7	SCREW PAN HEAD 6X30
6	220B0655	4	SCREW PAN HEAD 6X55
7	14031-097-2H	1	COVER,L.H ENGINE BARREL
8	14045-031	1	GASKET,L.H ENGINE COV
9	92042-007	4	PIN-DOWEL
10	92027-1467	1	COLLAR,PUSH ROD
11	92066-065	1	PLUG
12	14026-037-2H	1	COVER,CHAIN BARREL
13	52015-004	1	GAUGE,OIL LEVEL WHN EXH USE 52015-004
13	52015-004	1	GAUGE,OIL LEVEL
14	11009-1235	1	GASKET,ENGINE COV,RH
15	14032-5003	1	COVER,R.H ENGINE
16	16115-013	1	PLUG,OIL FILLER
17	92055-049	1	"O" RING,31MM
18	220B0630	12	SCREW PAN HEAD 6X30
19	92050-078	1	OIL SEAL

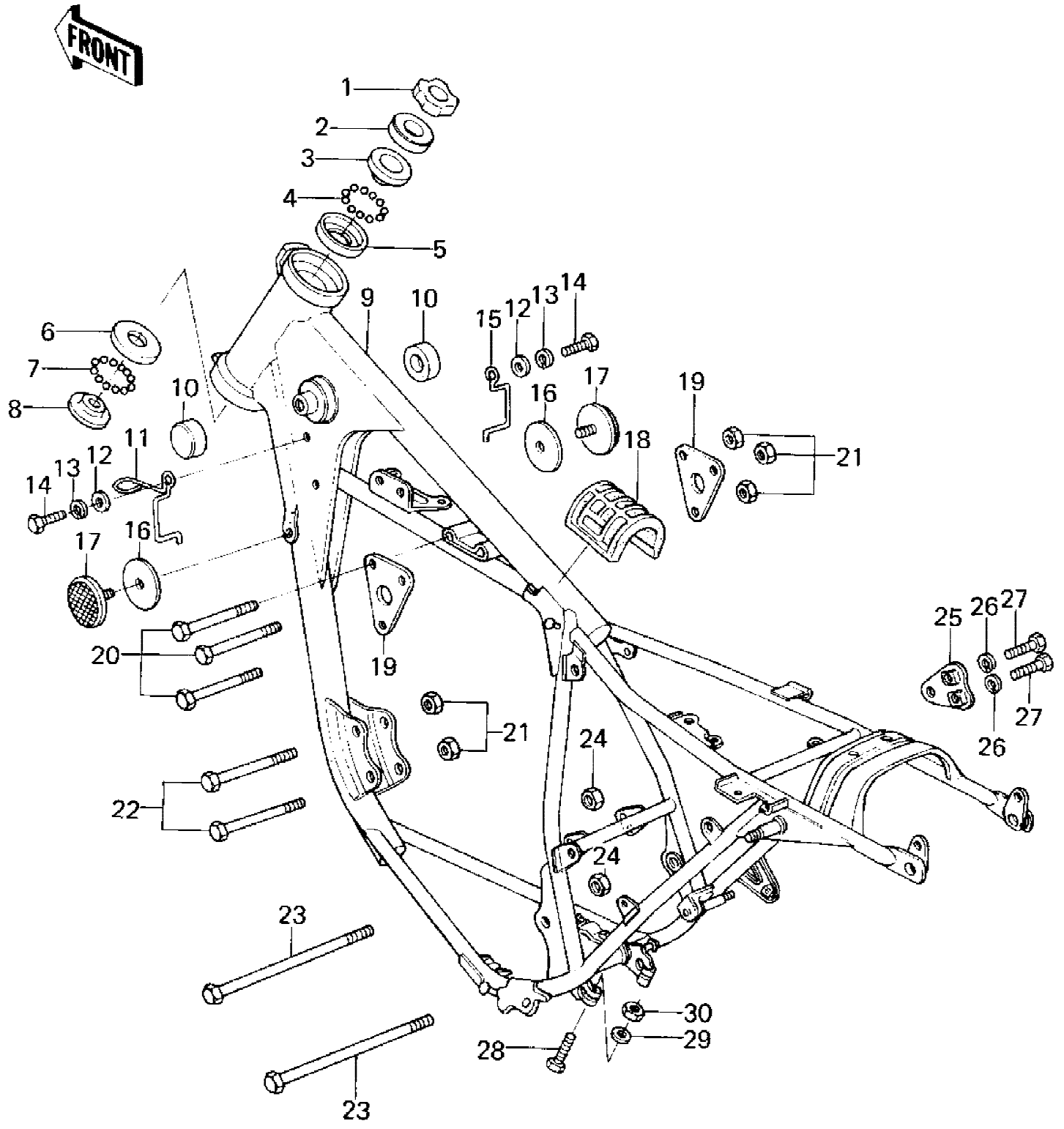




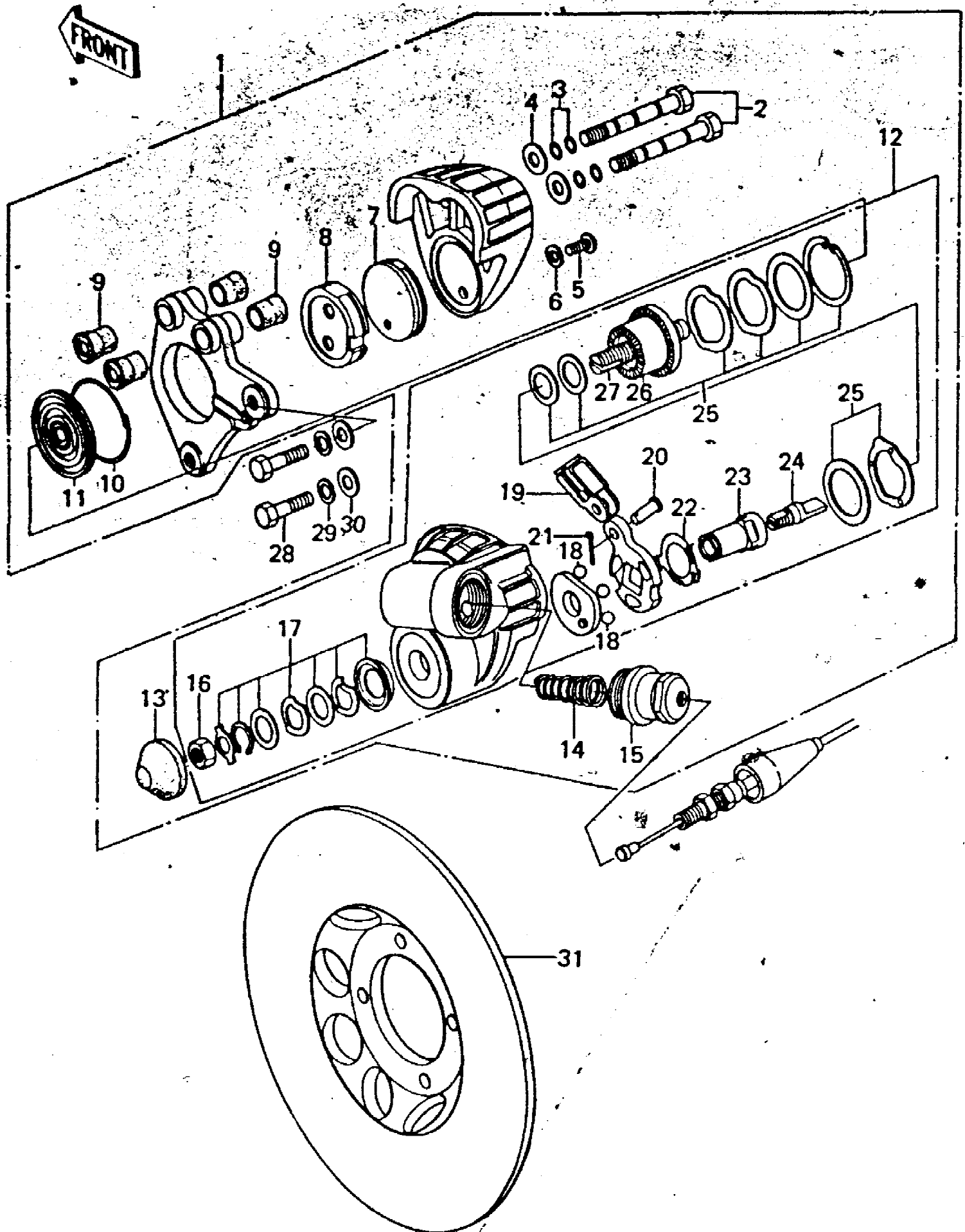
Ref #	Part Number	Qty	Description
1	35001-5001	1	FENDER-FR
2	115G0818	4	BOLT-SMALL-UPSET,8X18
3	461F0800	4	WASHER SPRING 8MM
4	411B0800	4	WASHER PLAIN 8MM
5	92037-204	1	CLAMP,CABLE
6	35010-031	1	STAY,FRONT FENDER
7	312B0600	2	NUT 6MM
8	461F0600	2	WASHER SPRING 6MM
9	410B0600	2	WASHER PLAIN 6MM
10	220E0612	2	SCREW PAN HEAD 6X12
11	112G0616	2	BOLT-UPSET,6X16
12	461F0600	4	WASHER SPRING 6MM
13	92022-228	2	WASHER,PLAIN,7MM
14	26011-082	1	WIRE,GROUND
15	92037-085	1	CLAMP
16	35022-156	1	FENDER-RR FRONT
17	112G0625	2	BOLT-UPSET
18	92027-194	2	COLLAR
19	92075-277	2	DAMPER RUBBER
20	92071-010	1	GROMMET HARNESS 10MM
21	35022-157	1	FENDER-RR REAR
22	35032-041	1	STAY,REAR FENDER
23	115G0816	2	BOLT-SMALL-UPSET,8X16
24	461F0800	2	WASHER SPRING 8MM
25	411B0800	2	WASHER PLAIN 8MM



Ref #	Part Number	Qty	Description
1	34027-1103	1	STEP-ASSY
2	92022-250	2	WASHER,PLAIN
3	550D2516	2	PIN COTTER 2.5X16
4	92043-080	2	PIN-FOOTREST BAR FIT
5	92075-306	2	DAMPER,RUBBER
6	92075-1029	1	DAMPER,RUBBER
7	34004-008	1	BAR,FOOTREST
8	34027-1103	1	STEP-ASSY
9	13091-1003	2	HOLDER,FOOTREST
10	461F0800	4	WASHER SPRING 8MM
11	115G0816	4	BOLT-SMALL-UPSET,8X16
12	43001-077	1	PEDAL,BRAKE
13	311B0600	1	NUT 6MM
14	112G0625	1	BOLT-UPSET
15	92043-090	1	PIN,BRAKE ROD FITTING
16	43005-029	1	SPRING,BRAKE PEDAL
17	92022-1561	1	WASHER,8.5X20X1.6
18	461F0800	1	WASHER SPRING 8MM
19	92019-013	1	NUT,CAP AND LOCK,8MM
20	43011-028	1	ROD,BRAKE
21	550D2015	1	PIN COTTER 2.0X15
22	43012-001	1	SPRING,BRAKE ROD
23	92043-039	1	PIN BRAKE
24	92015-042	1	NUT-BRAKE ROD ADJUST
25	550D3030	1	PIN COTTER 3.0X30
26	34023-016	1	SPRING,MAIN STAND
27	34011-050	1	STAND-MAIN
28	34019-011	1	SHAFT MAIN STAND
29	34025-011	1	SPRING,SIDE STAND
30	92003-226	1	BOLT,SIDE STAND FITNG
31	92024-078	1	WASHER,LOCK
32	32085-1009	1	STOPPER,SIDE STAND
33	34024-070	1	STAND-SIDE
34	34025-010	2	SPRING,SIDE STAND
35	92019-021	1	NUT,LOCK,10MM

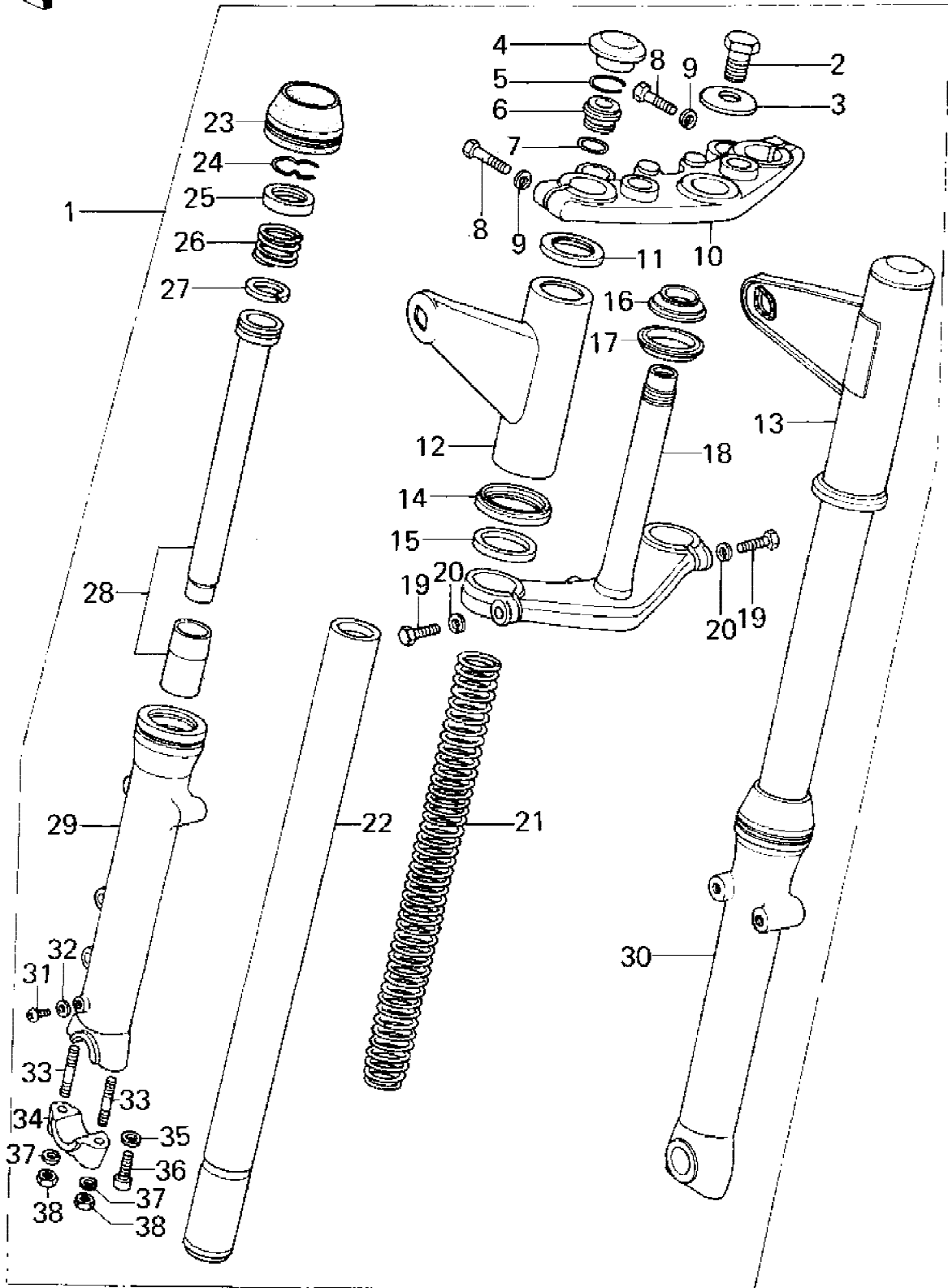


Ref #	Part Number	Qty	Description
1	92090-022	1	NUT,STEERING STEM
2	46098-012	1	CAP,STEERING STEM
3	92047-014	1	CONE,STRG STM BRG,UP UPPER
4	600A0600	23	BALL STEEL 3/16'
5	92048-009	1	RACE,STRG STM BEARING UPPER
6	92048-005	1	RACE STEERING BEARING LOWER
7	600A0800	19	BALL STEEL 1/4'
8	92047-010	1	CONE STERNG BERG LOW
9	32002-165	1	FRAME
10	92075-101	2	DAMPER RUBBER-FL TANK
11	92037-202	1	CLAMP
12	411B0600	2	WASHER PLAIN 6MM
13	461F0600	2	WASHER SPRING 6MM
14	112G0612	1	BOLT-UPSET,6X12
15	92037-203	1	CLAMP
16	92094-011	2	DAMPER RUBBER,REFLECT
17	28012-016	2	REFLECTOR,REFLEX
18	92075-284	1	DAMPER RUBBER
19	32030-069	2	PLATE,ENGINE HEAD
20	92001-1581	3	BOLT,FLANGED,8X60
21	92017-013	5	NUT,LOCK,8MM
22	110B0865	2	BOLT,HEX HEAD,8X65
23	92001-1602	2	BOLT, FLANGED, 10X110
24	92019-021	2	NUT,LOCK,10MM
25	32029-1008	2	BRACKET,ENGINE
26	461F0800	4	WASHER SPRING 8MM
27	115G0816	4	BOLT-SMALL-UPSET,8X16
28	110R0635	2	BOLT 6X35
29	410B0600	2	WASHER PLAIN 6MM
30	92017-014	2	NUT,LOCK 6MM

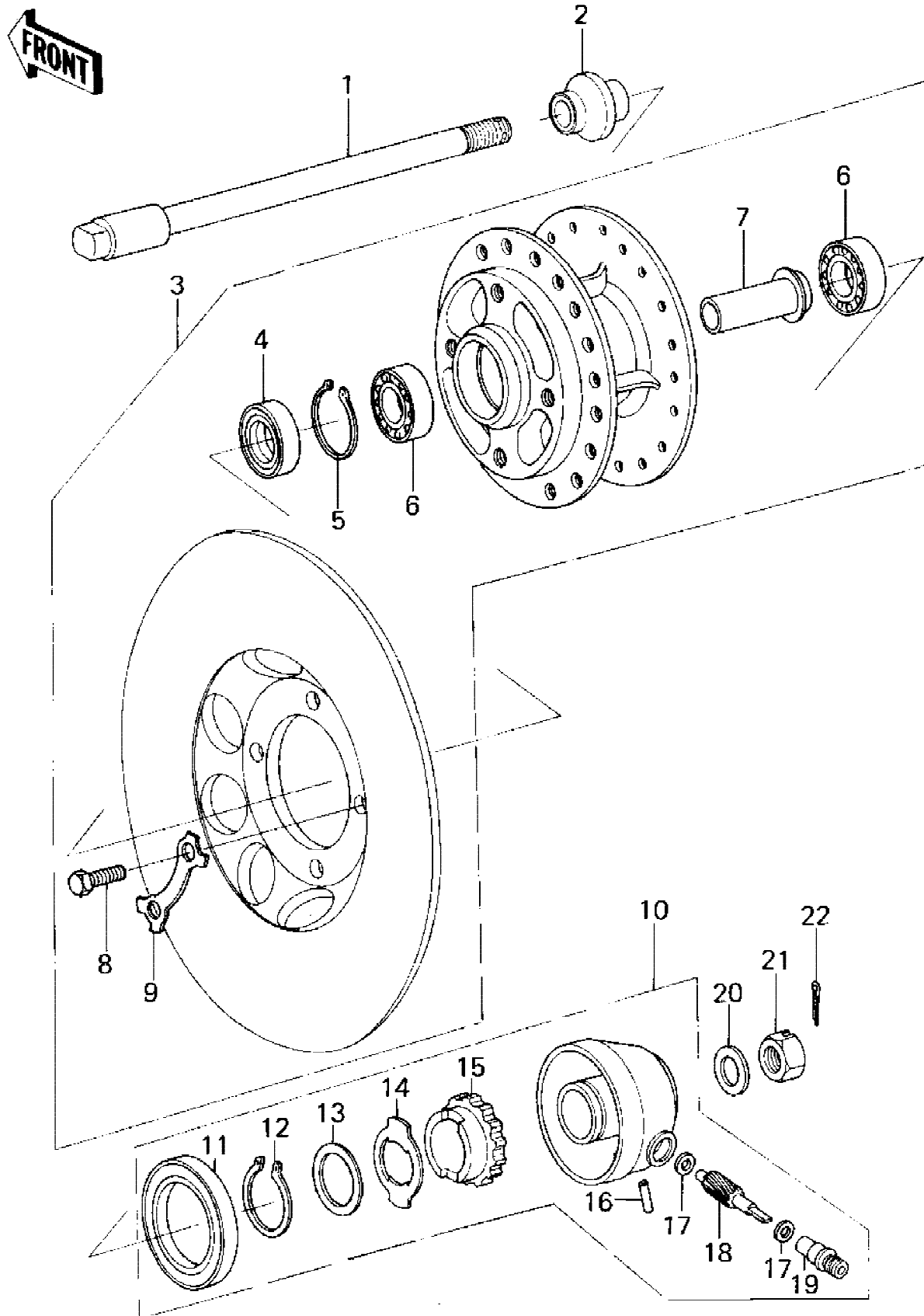


Ref #	Part Number	Qty	Description
1	43041-1030	1	CALIPER ASSY,FRONT KZ200-A1
1	43041-1030	1	CALIPER ASSY,FRONT KZ200-A2
2	43045-1001	2	BOLT
3	43063-001	4	BRACKET-BRAKE HOSE
4	92022-1001	2	WASHER,PLAIN
5	220B0610	1	SCREW PAN HEAD 6X10
6	461F0600	1	WASHER SPRING 6MM
7	43050-1010	1	PAD B
8	43050-1009	1	PAD A
9	43052-002	4	DUST SEAL-SHAFT
10	92033-1001	1	CIRCLIP
11	49006-1030	1	BOOT
12	43042-1025	1	CALIPER A KZ200-A1
12	43042-1025	1	CALIPER A KZ200-A2
13	49006-1029	1	BOOT,OUTER
14	43018-1001	1	SPRING,RETURN
15	92066-1001	1	PLUG
16	318B0800	1	NUT 8MM
17	99996-5001	1	REPAIR SET,CALIPER
18	600A0800	3	BALL STEEL 1/4'
19	11034-1439	1	LEVER
20	92043-1058	1	PIN
21	550D1610	1	PIN COTTER 1.6X10
22	43022-1004	1	STOPPER
23	43045-1003	1	SHAFT
24	43022-1005	1	STOPPER
25	99996-5002	1	REPAIR SET,CALIPER
26	13078-1002	1	RATCHET
27	46102-1003	1	ROD
28	92007-032	2	BOLT
29	461F1000	2	WASHER SPRING 10MM
30	410B1000	2	WASHER PLAIN 10MM
31	41080-013	1	DISC PLATE,FROM BRAKE

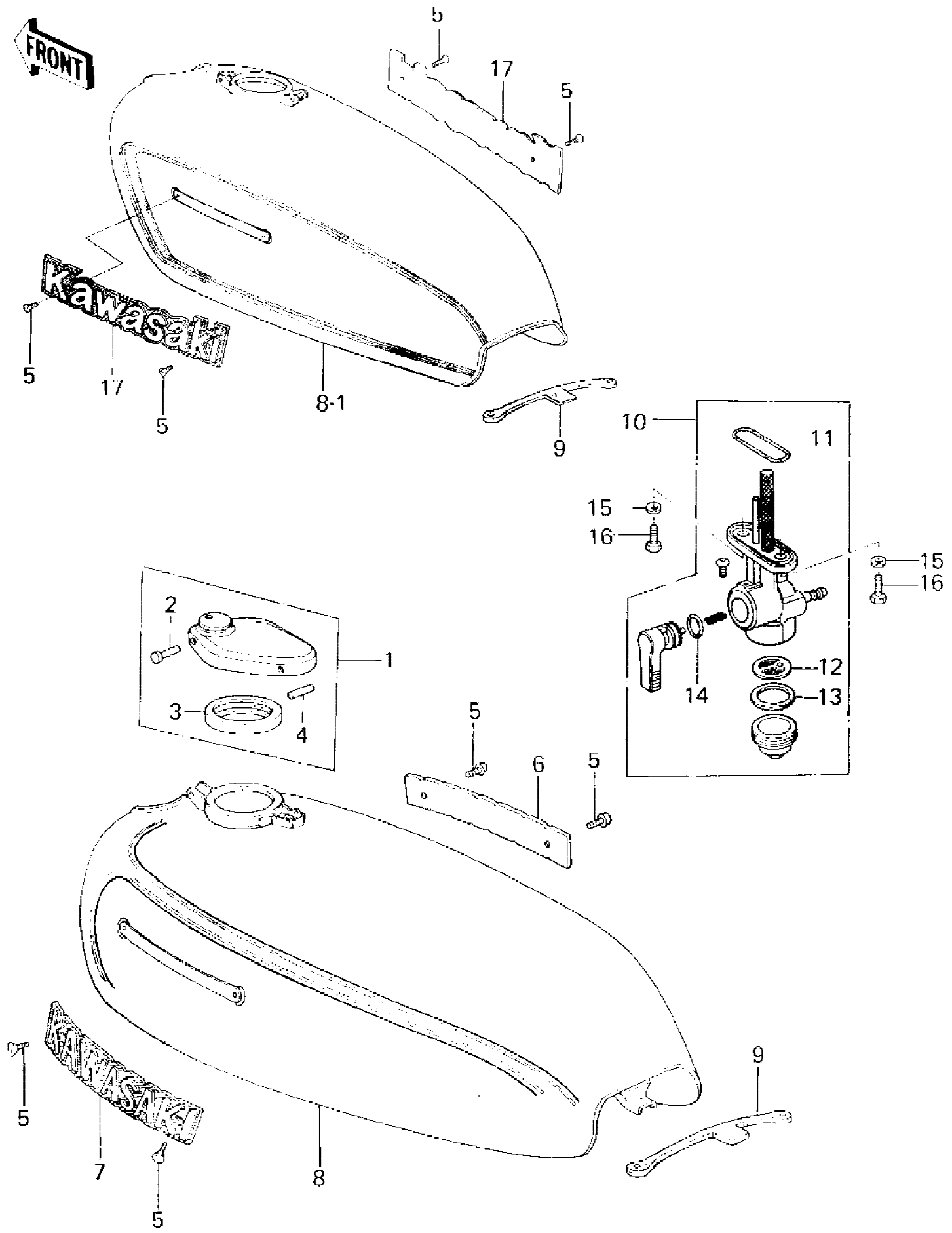




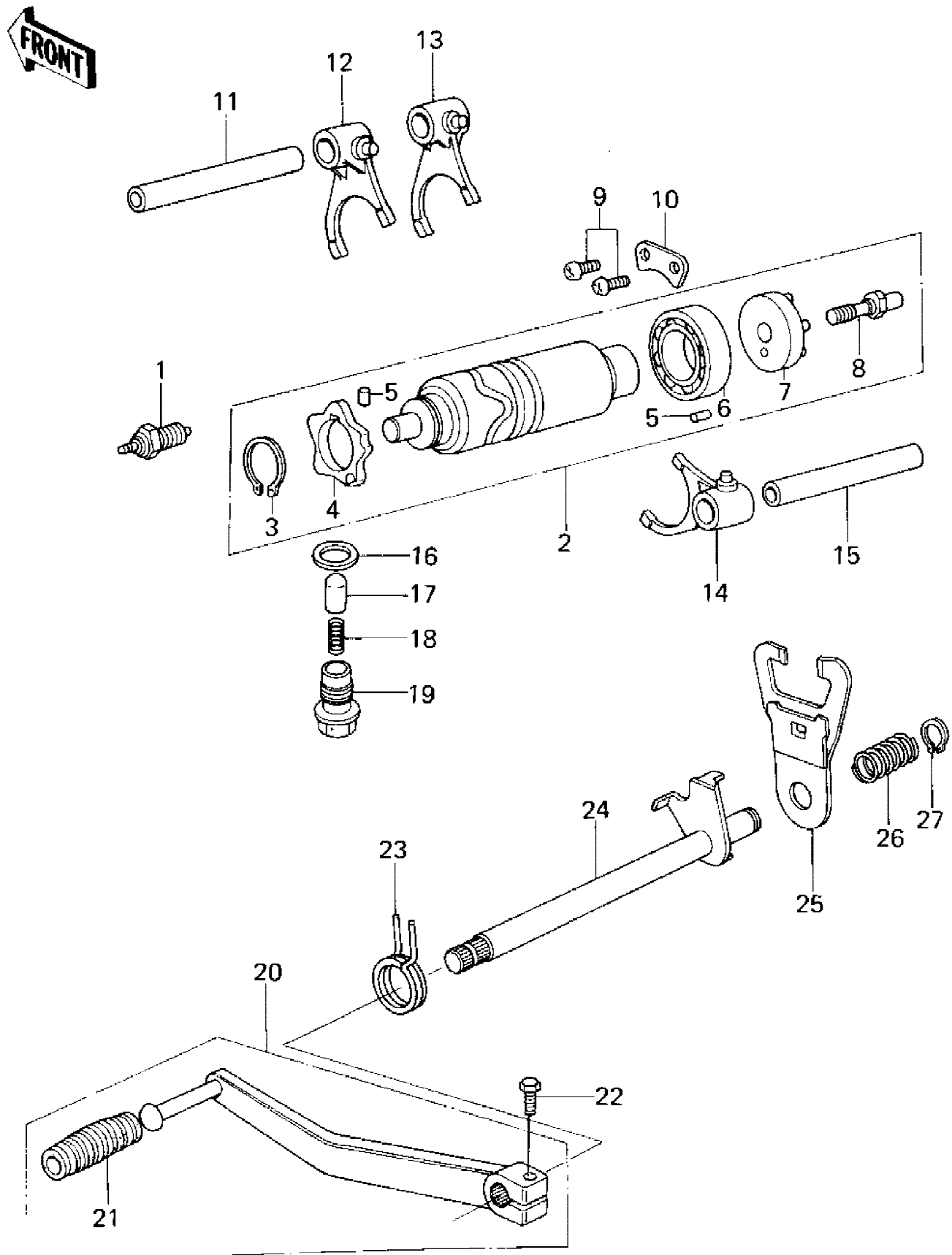
Ref #	Part Number	Qty	Description
1	44001-202	1	FORK-FRONT
2	44041-072	1	BOLT,STEERING STEM
3	44043-056	1	WASHER,STEERING STEM
4	44062-008	2	CAP,FORK TOP
5	44044-023	2	CIRCLIP
6	44029-022	2	GUIDE,SPRING
7	44046-025	2	"O" RING
8	92001-1063	2	BOLT,HEX HEAD,8X40
9	461F0800	2	WASHER SPRING 8MM
10	44039-078	1	HEAD,STEERING STEM
11	44064-029	2	GUIDE,FORK COVER,A
12	44033-087	1	COVER,L.H FORK
13	44034-087	1	COVER,R.H FORK
14	44064-028	2	GUIDE,FORK COVER,B
15	44045-049	2	GASKET,FORK COVER
16	92047-010	1	CONE STERNG BERG LOW
17	44010-027	1	SEAL,STEERING STEM
18	44037-110	1	STEM,STEERING
19	44041-079	2	BOLT, HEX HEAD,10X30
20	461F1000	2	WASHER SPRING 10MM
21	44026-075	2	SPRING,FORK
22	44013-060	2	TUBE,FORK INNER
23	44010-037	2	DUST SHIELD,FORK
24	44044-020	2	CIRCLIP,45MM
25	44009-028	2	OIL SEAL,FORK
26	44026-060	2	SPRING,FORK REBOUND
27	44025-006	2	RING,FORK PISTON
28	44022-041	2	CYLINDER-FORK
29	44005-068	1	TUBE,LH,FORK OUTER
30	44006-066	1	TUBE,RH,FORK OUTER
31	220B0406	2	SCREW PAN HEAD 4X6
32	44045-046	2	GASKET,FORK DRAIN PLG
33	172G0830	2	STUD 8X30
34	44063-016	1	HOLDER,FRONT AXLE
35	44045-051	2	GASKET,FORK CYL BOLT
36	44041-078	2	BOLT,FORK CYLINDER
37	461F0800	2	WASHER SPRING 8MM
38	92017-013	2	NUT,LOCK,8MM



Ref #	Part Number	Qty	Description
1	41068-052	1	AXLE,FRONT
2	41069-037	1	COLLAR,AXLE
3	41034-051	1	DRUM-ASSY,FR BRK
4	654A223508	1	OIL SEAL
5	481J3500	1	CIRCLIP,35MM
6	601B6202	2	BEARING BALL #6202
7	41039-035	1	COLLAR,FRONT HUB
8	92001-141	2	BOLT, HEX HEAD, 8X25
9	92088-029	2	WASHER,LOCK
10	41078-013	1	GEAR BOX ASSY
11	654A425509	1	OIL SEAL
12	480J2200	1	CIRCLIP,22MM
13	41065-006	1	WASHER THRUST
14	41064-016	1	RECEIVER,SPEED.GEAR
15	41059-028	1	GEAR,SPEEDOMETER 21T
16	41082-001	1	PIN,SPRING
17	41063-001	2	WASHER THRST SPD PINI
18	41060-015	1	PINION,SPEEDOMETER 8T
19	41062-005	1	BUSH,SPEEDMETER CABLE
20	410B1400	1	WASHER PLAIN 14MM
21	42045-020	1	NUT,14MM
22	550D3025	1	PIN, COTTER, 3.0 X 25

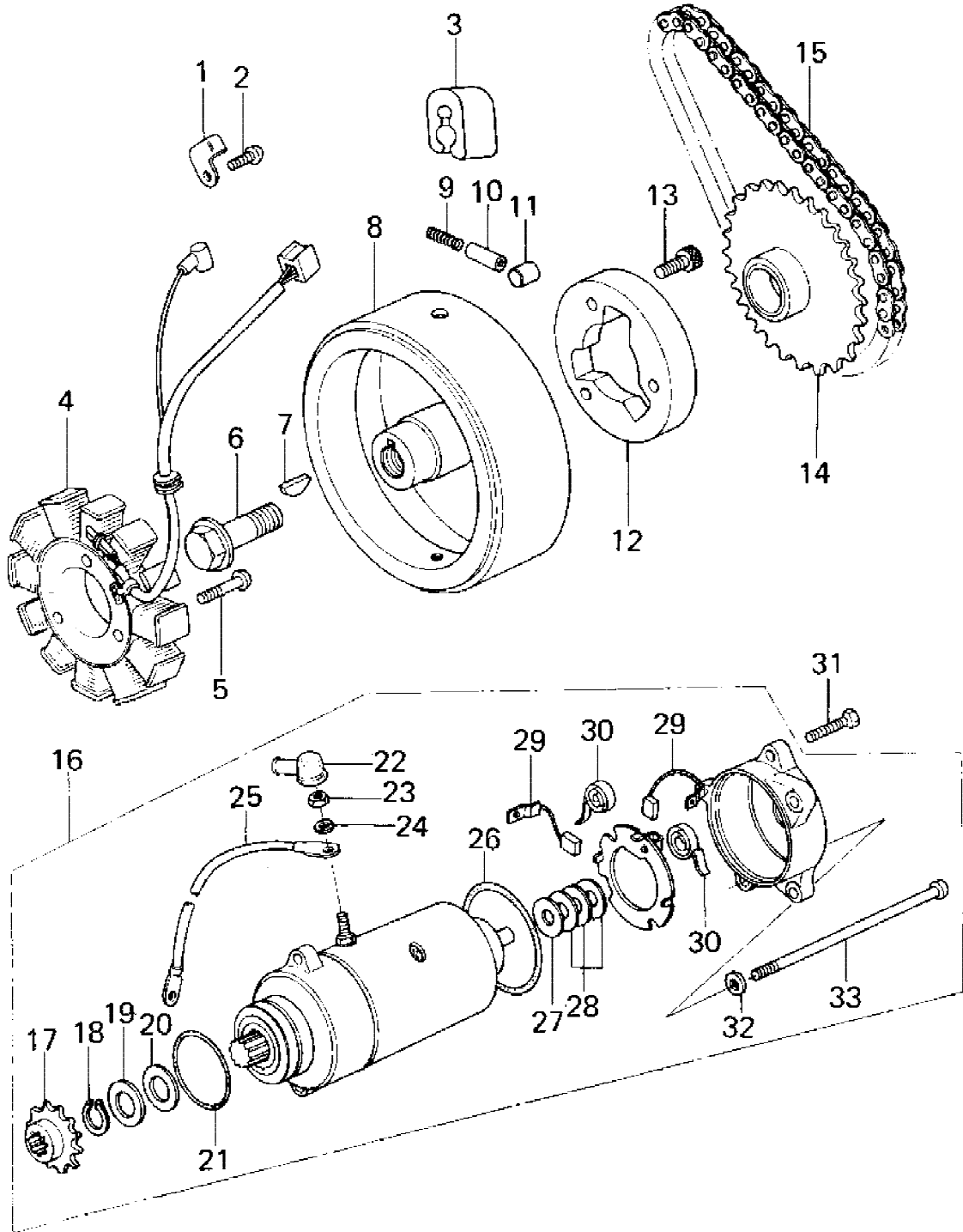


Ref #	Part Number	Qty	Description
1	51048-012	1	CAP,FUEL TANK
2	92043-126	1	PIN,HOOK
3	51059-008	1	GASKET-FUEL TANK CAP
4	92043-127	1	PIN,CAP HINGE
5	221C0306	4	SCREW-CSK-CROS
6	56014-070	1	EMBLEM,R.H FUEL TANK KZ200-A1/A1A
7	56013-060	1	EMBLEM,L.H FUEL TANK KZ200-A1/A1A
8	51001-117-4M	1	TANK-FUEL,CERULEAN BL KZ200-A1/A1A
8	51001-5063-4Z	1	TANK-FUEL,G.BROWN KZ200-A1/A1A
8-1	51001-5011-B1	1	TANK-FUEL,F.RED KZ200-A2
9	92072-042	1	BAND,FUEL TANK
10	51023-1051	1	TAP ASSY FUEL
11	51039-003	1	"O" RING
12	14043-1002	1	STRINER,FUEL TAP
13	11009-1013	1	GASKET,FUEL TAP CUP
14	670B2010	1	"O" RING, 10MM
15	92022-183	2	WASHER-PLAIN
16	92001-114	2	BOLT-HEX HEAD,6X16
17	56014-1038	2	EMBLEM,FUEL TANK KZ200-A2

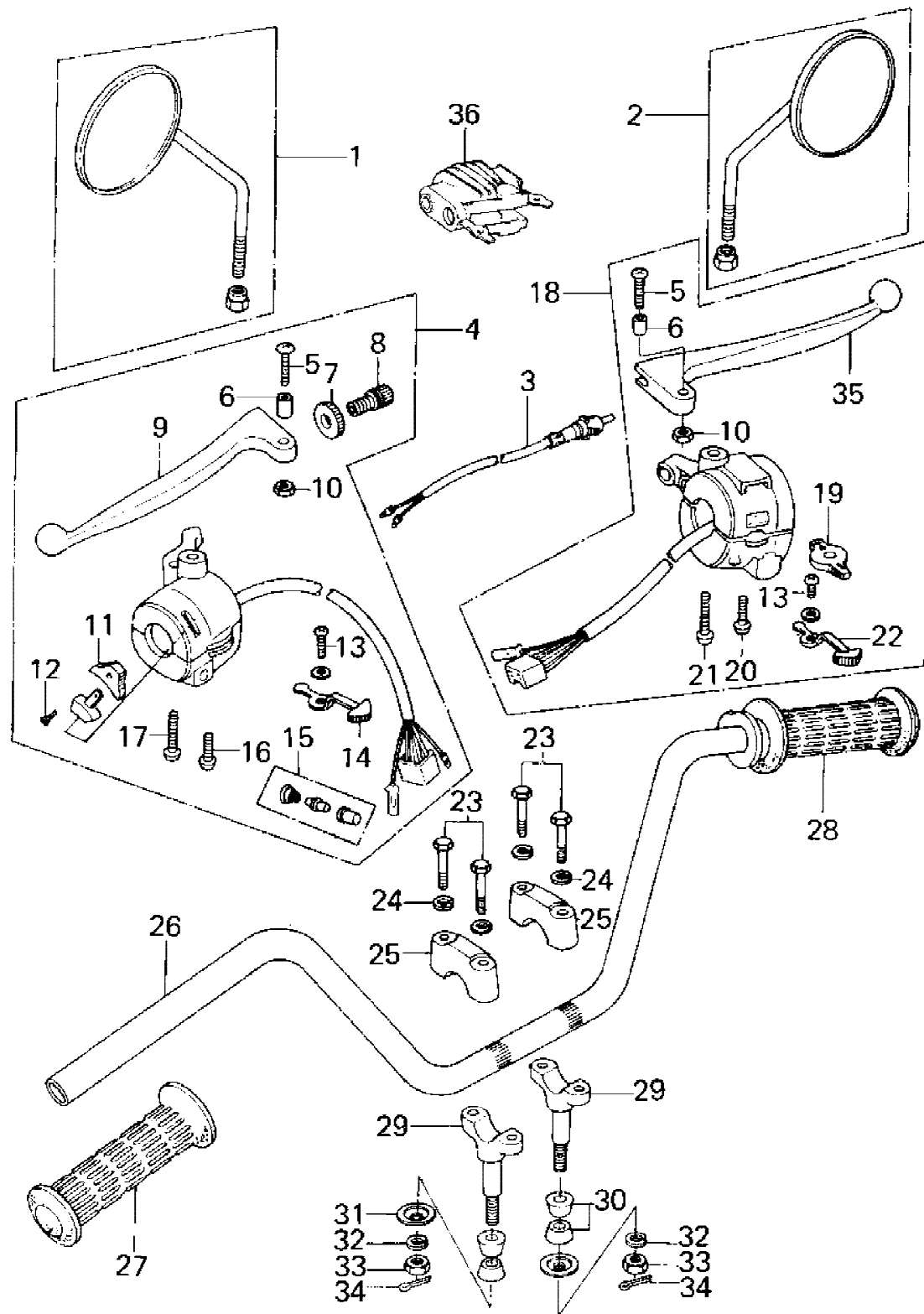


Ref #	Part Number	Qty	Description
1	13151-5002	1	SWITCH,NEUTRAL
2	13239-1036	1	DRUM ASSY,GEAR SHIFT
3	480J2400	1	CIRCLIP 24MM
4	13145-007	1	DISC,CHANGE DRUM
5	610A0406	2	PIN-DOWEL,4X6
6	92045-036	1	BEARING,BALL,#6905
7	13142-019	1	PLATE,GEAR CHANGE
8	92001-166	1	BOLT
9	220B0614	2	SCREW PAN HEAD 6X14
10	13169-014	1	PLATE,GEAR CHANGE
11	49047-1003	1	ROD,SHIFT 93.7M/M 12 X 93.7
12	13140-074	1	SHIFT FORK,2ND&3RD
13	13140-073	1	SHIFT FORK,LOW
14	13140-075	1	SHIFT FORK,4TH&TOP
15	49047-1002	1	ROD,SHIFT 71.7M/M 12 X 71.7
16	92022-324	1	WASHER,PLAIN
17	92043-131	1	PIN,NEUTRAL POSITIONG
18	92081-112	1	SPRING
19	92001-182	1	BOLT,NEUTRAL POSITION
20	13242-020	1	PEDAL ASSY,GEAR CHANG
21	92160-1036	1	DAMPER,CHANGE PEDAL
22	112G0620	1	BOLT-UPSET,6X20
23	92083-028	1	SPRING,CHG PEDL RTRN
24	13161-1013	1	LEVER ASSY,GEAR SHIFT
25	13161-044	1	LEVER ASSY,GEAR SHIFT
26	92081-149	1	SPRING,COIL
27	480J1300	1	CIRCLIP,13MM

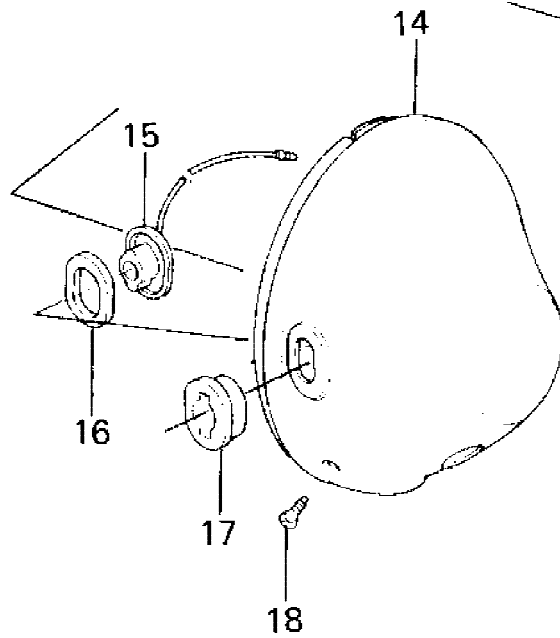
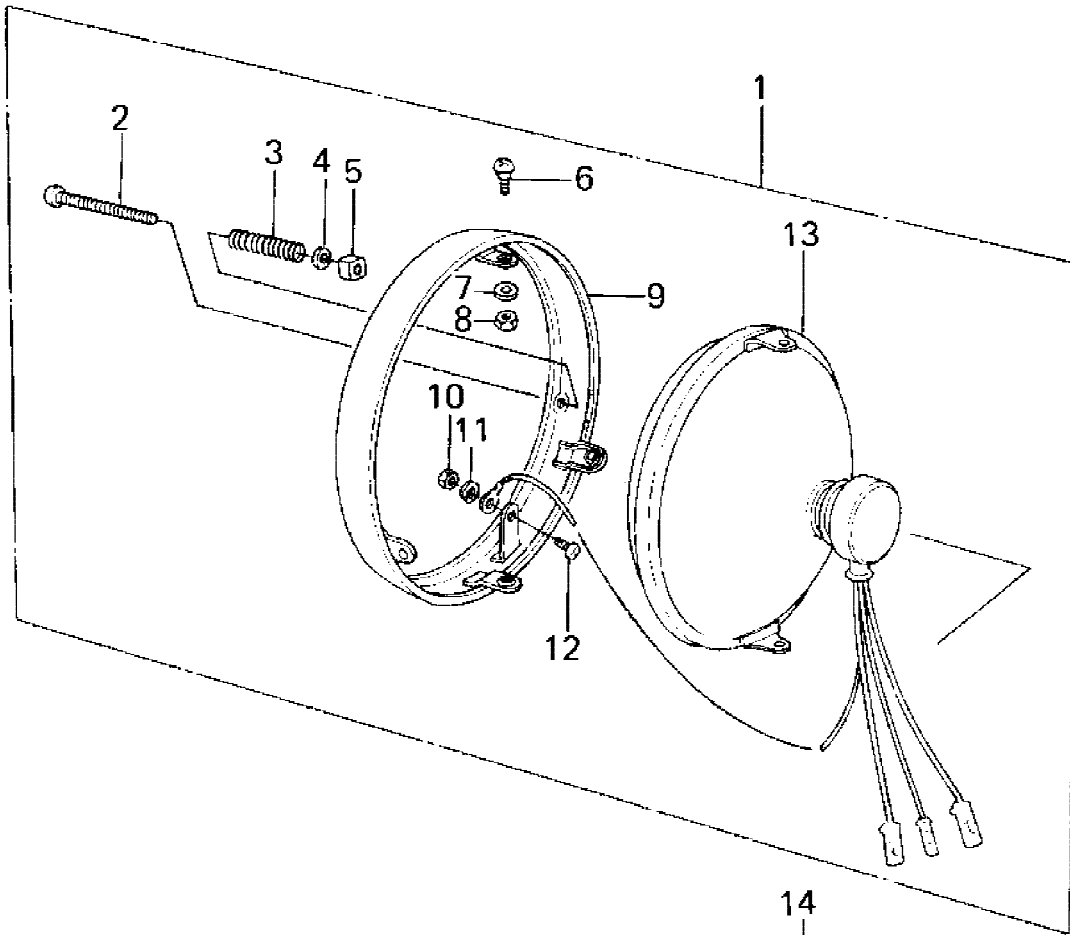




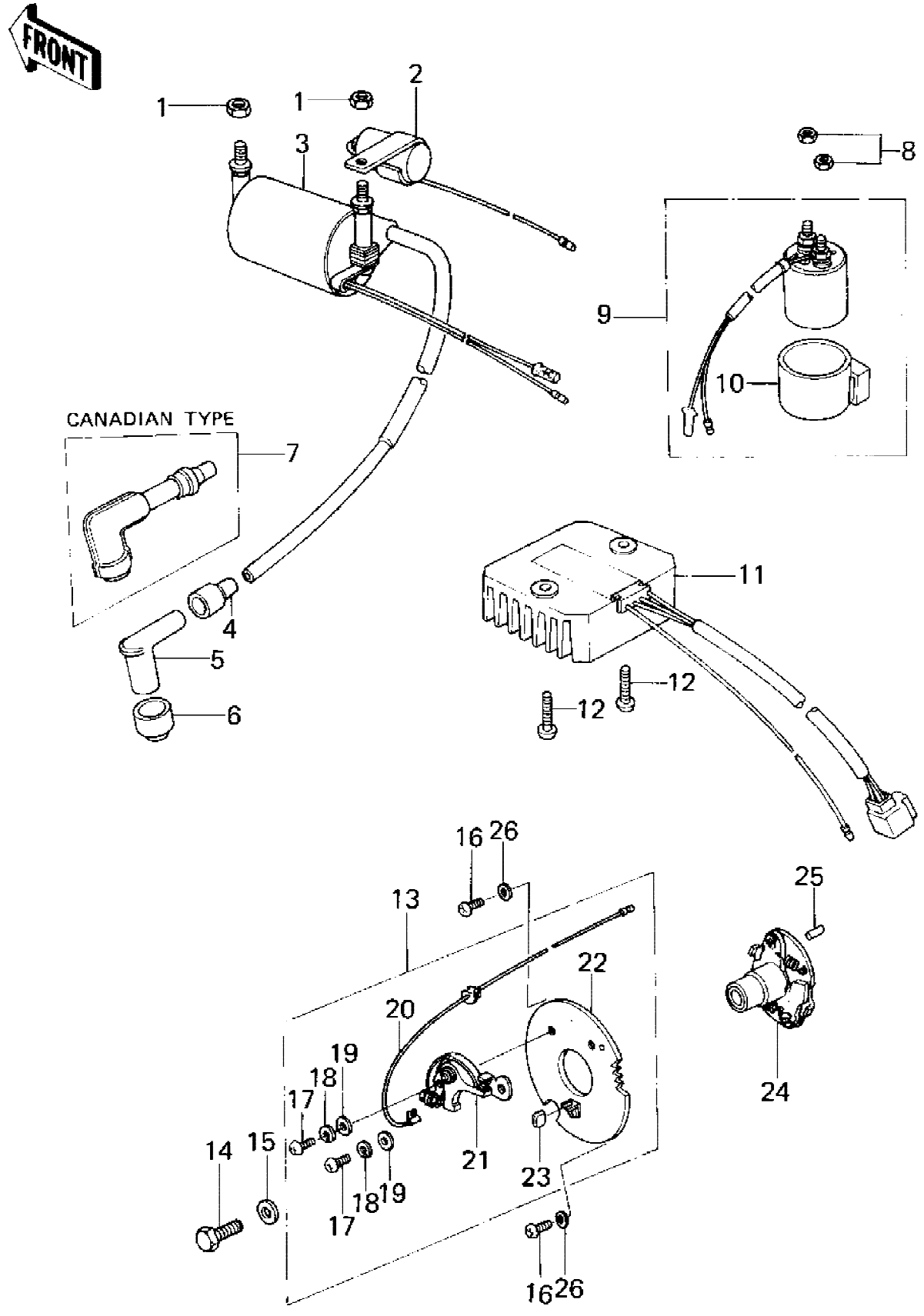
Ref #	Part Number	Qty	Description
1	92037-194	1	CLAMP
2	220B0614	1	SCREW PAN HEAD 6X14
3	92037-1049	1	CLAMP,CABLE
4	21003-1002	1	STATOR ASSY
5	220B0625	3	SCREW PAN HEAD 6X25
6	92001-1201	1	BOLT,10X40
7	92038-001	1	WOODRUFF KEY
8	21007-1010	1	ROTOR KZ200-A1
8	21007-1010	1	ROTOR KZ200-A1A~
9	92081-159	3	SPRING,COIL
10	92043-132	3	PIN
11	92122-006	3	ROLLER
12	13194-008	1	CLUTCH,STARTER
13	120P0816	3	BOLT
14	12046-1107	1	SPROCKET,STARTER CLUT
15	92057-1009	1	CHAIN,DYNAMO
16	21163-1036	1	STARTER-ELECTRIC
17	12046-1004	1	SPROCKET,STARTER MOTO
18	92033-037	1	CIRCLIP,13M/M
19	21025-008	1	WASHER,PLAIN,14MM 0.2T
20	21025-009	1	WASHER PLAIN 14MM 0.5T
21	21027-005	1	"O" RING,42.8MM
22	21017-020	1	CAP,STARTING MOTOR
23	312B0600	1	NUT 6MM
24	461F0600	1	WASHER SPRING 6MM
25	26011-1201	1	WIRE-LEAD,STARTER MOT
26	21027-006	1	"O" RING,62MM
27	21025-010	1	WASHER,THRUST,1.6T
28	21025-011	AR	WASHER,THRUST,0.2T
29	21039-004	2	BRUSH CARBON
30	21040-004	2	SPRING CARBON BRUSH
31	130G0625	2	BOLT,FLANGED,6X25
32	461F0600	2	WASHER SPRING 6MM
33	92001-1046	2	SCREW,PAN HEAD,6X130



Ref #	Part Number	Qty	Description
1	56003-019	1	REAR VIEW MIRROR,L.H
2	56002-029	1	REAR VIEW MIRROR,R.H OPTION
3	27021-004	1	SWITCH-FR. BRAKE LAMP
4	46091-1004	1	HOUSING ASSY,L.H CONT
5	220B0522	2	SCREW PAN HEAD 5X22
6	92027-1042	2	COLLAR,LEVER
7	46056-005	1	NUT-LOCK
8	46055-003	1	SCREW CABLE ADJUST
9	46092-024	1	LEVER,CLUTCH
10	92019-014	2	NUT-LOCK,5MM
11	46044-013	1	KNOB,LIGHTING SW L.H
12	221B0308A	1	SCREW CNTSNK HD 3X8
13	220B0305A	2	SCREW PAN HEAD 3X5
14	92077-1003	1	KNOB,SIGNAL LIGHT SW
15	27010-1009	1	SWITCH ASSY,HORN BUTN
16	220B0525	1	SCREW-PAN-CROS,5X25
17	92009-1018	1	SCREW,PAN HEAD,5X38
18	46091-1006	1	HOUSING ASSY,R.H CONT KZ200-A1
18	46091-1007	1	HOUSING ASSY,R.H.CONT KZ200-A1A~
18	46091-1007	1	HOUSING ASSY,R.H.CONT USE FOR CANADIAN MARKET
19	92077-1002	1	KNOB,ENGINE STOP
20	220B0530	1	SCREW PAN HEAD 5X30
21	92009-1017	1	SCREW,PAN HEAD,5X48
22	46043-006	1	KNOB,LIGHING SWITCH NOT USE FOR P/NO. 46091-1007
23	92001-1405	4	BOLT 8X38
24	461F0800	4	WASHER SPRING 8MM
25	46012-008	2	HOLDER-HANDLEBAR UPPER
26	46003-041	1	HANDLEBAR
27	46075-028	1	RUBBER,L.H GRIP
28	46019-041	1	GRIP ASSY,THROTTLE
29	46012-010	2	HOLDER-HANDLEBAR LOW LOWER
30	92075-039	4	DAMPER RUBBER HANDLE
31	46016-003	2	CAP HANDLEBAR HOLDER
32	461F1000	2	WASHER SPRING 10MM
33	314B1000	2	NUT,10MM
34	554A0800	2	PIN,SNAP
35	46058-019	1	LEVER,FRONT BRAKE
36	49016-1028	1	DUST COVER KZ200-A2

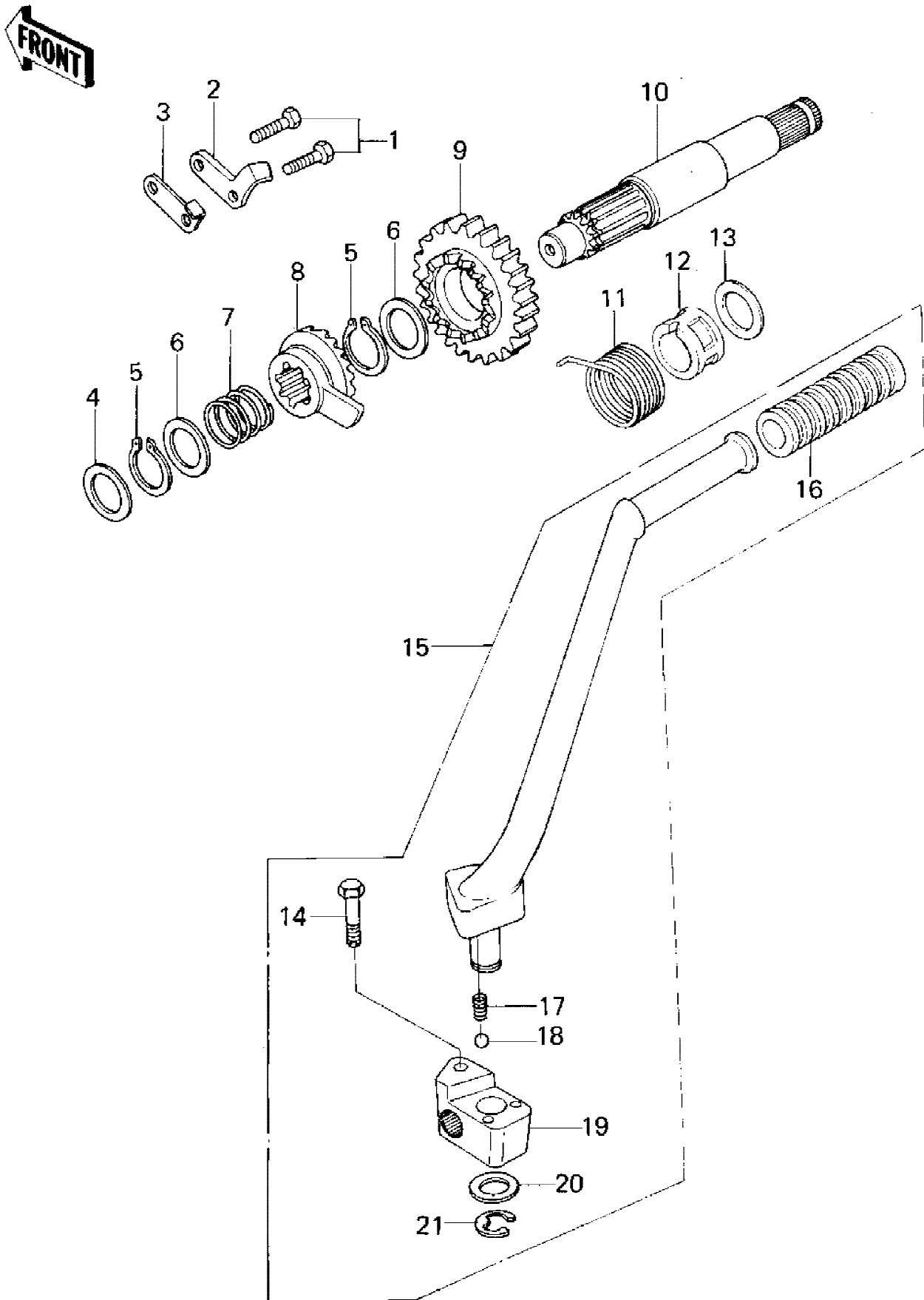


Ref #	Part Number	Qty	Description
1	23003-025	1	LAMP UNIT,HEAD
2	23019-021	1	SCREW FORCUS ADJUST
3	23014-005	1	SPRING FOCUS ADJUST
4	23021-004	1	WASHER
5	23020-018	1	NUT,4MM
6	23019-023	2	SCREW-PAN HEAD,5X12
7	23021-012	2	WASHER-PLAIN,5MM
8	23020-023	2	NUT,HEAD LAMP RIM FIT
9	23006-034	1	RIM-HEAD LAMP
10	311B0300	1	NUT-HEX
11	461F0300	1	WASHER SPRING 3MM
12	220B0306	1	SCREW-PAN-HEAD 3X6
13	23007-043	1	SEALED BEAM UNIT BLACK
14	23005-038-21	1	BODY-HEAD.LAMP,BLACK
15	23076-005	2	COLLAR
16	23066-001	2	DAMPER RUBBER A
17	23066-005	2	DAMPER RUBBER
18	23019-022	2	SCREW,PAN HEAD,5X14

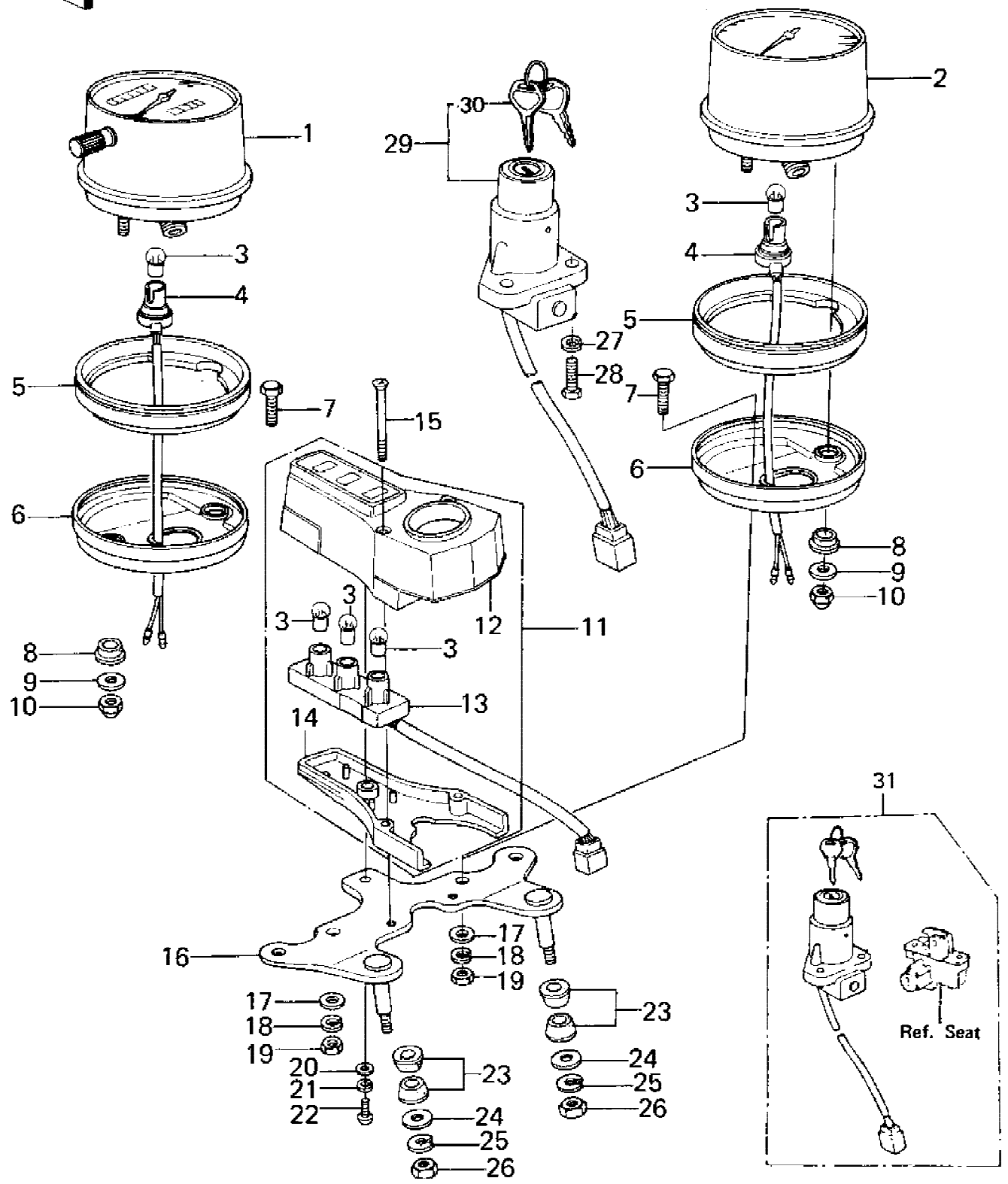


Ref #	Part Number	Qty	Description
1	311G0600	2	NUT,6M/M
2	21013-036	1	CONDENSER
3	21121-093	1	COIL,IGNITION
4	21132-005	1	GROMMET,SPARK PLG CAP
5	21130-1007	1	CAP-SPARK PLUG,RTFM20
6	21131-004	1	GROMMET-PLUG CAP,A
7	21160-005	1	CAP,SPARK PLUG USE FOR CANADIAN MARKET
8	311G0600	2	NUT,6M/M
9	21164-005	1	SWITCH ASSY,MAGNETIC
10	21064-002	1	DAMPER MAG SWITCH SHK
11	21066-029	1	REGULATOR
12	220B0614	2	SCREW PAN HEAD 6X14
13	21135-013	1	BREAKER ASSY, CONTACT
14	92003-221	1	BOLT,6X14
15	92022-323	1	WASHER,PLAIN
16	220B0610	2	SCREW PAN HEAD 6X10
17	220B0406	2	SCREW PAN HEAD 4X6
18	461F0400	2	WASHER SPRING 4MM
19	410B0400	2	WASHER PLAIN 4MM
20	26001-1020	1	WIRING HARNESS,CONTAC
21	21008-1002	1	BREAKER,CONTACT
22	21021-1001	1	BASE,CONTACT BREAKER
23	21019-005	1	FELT OIL
24	21148-013	1	ADVANCER,AUTMATIC
25	551A0308	1	PIN DOWEL 3X8
26	410B0600	2	WASHER PLAIN 6MM

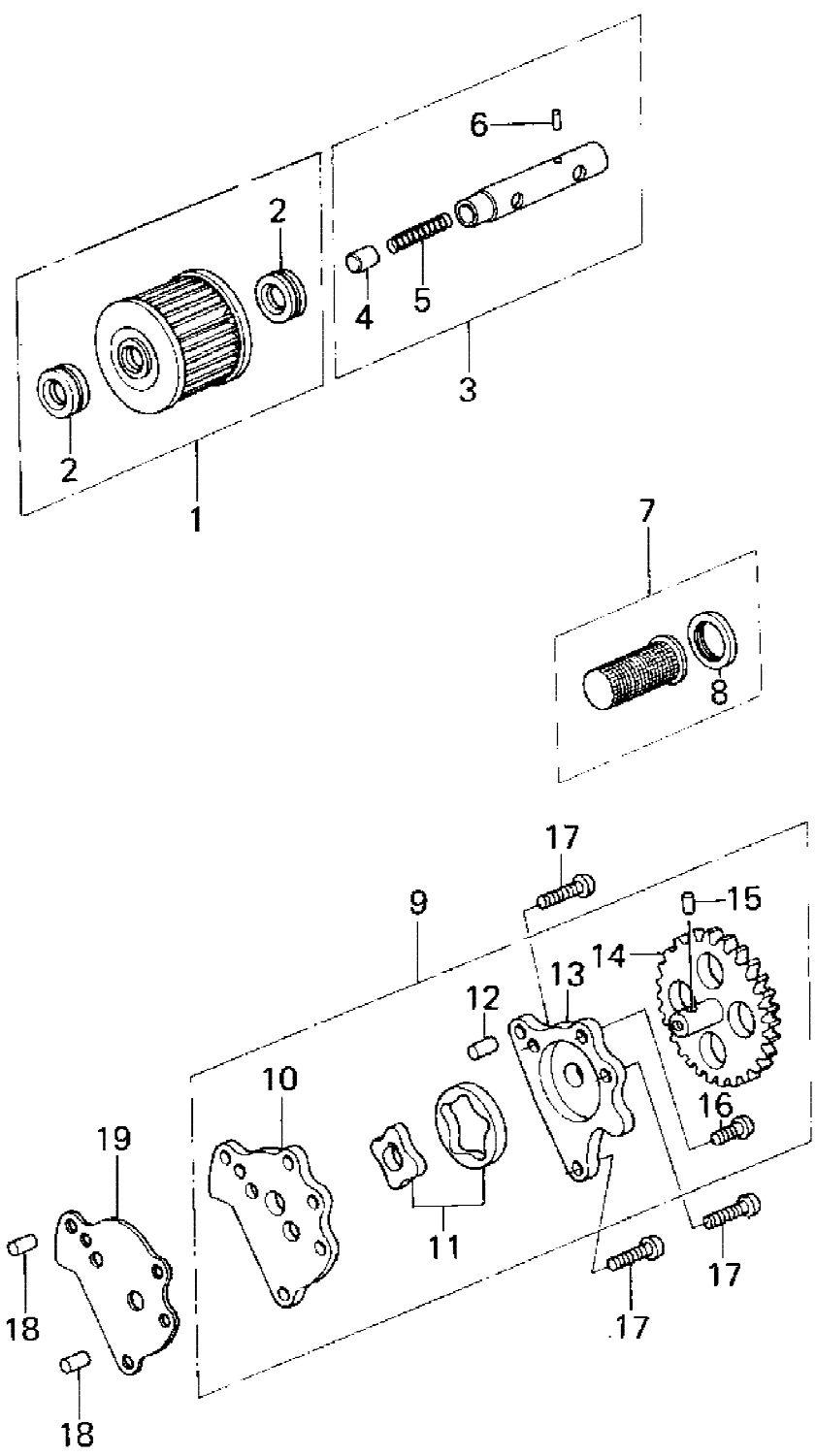




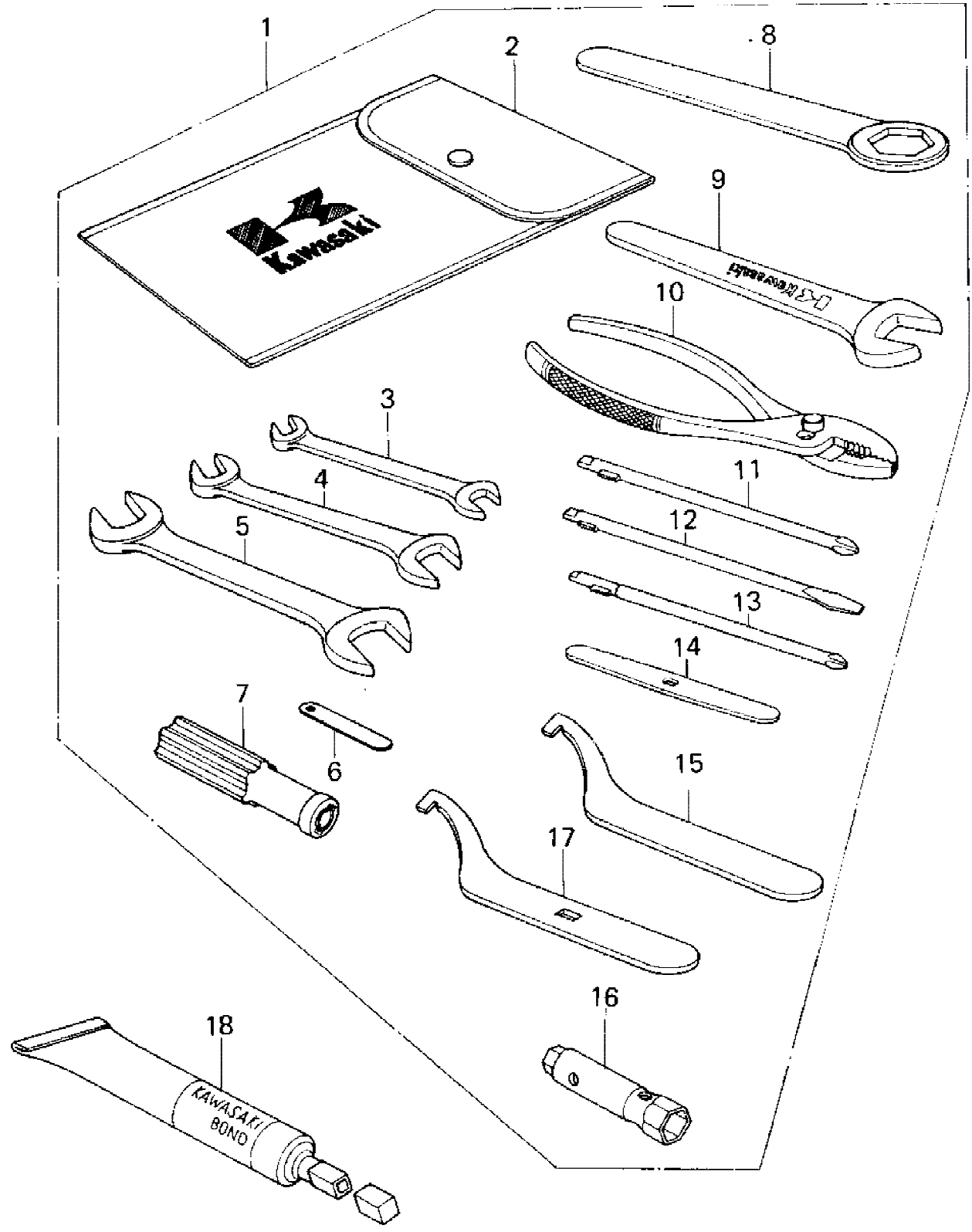
Ref #	Part Number	Qty	Description
1	112G0618	2	BOLT-UPSET
2	13206-1004	1	GUIDE,KICK RATCHET
3	13072-017	1	STOPPER,KICKSTARTER
4	92022-269	1	WASHER,PLAIN
5	480J1600	2	CIRCLIP 16MM
6	92022-315	2	WASHER,PLAIN
7	92081-122	1	SPRING,RATCHET
8	13078-1052	1	RATCHET,KL250-D2
9	13216-1099	1	GEAR-COMP,KICKSTARTER
10	13066-044	1	SHAFT,KICKSTARTER
11	92082-003	1	SPRING-KICKSTARTER
12	13070-011	1	GUID,KICKSTARTER SPRG
13	92022-118	1	WASHER THRUST
14	114G0832	1	BOLT HEX HEAD 8X32
15	13064-1020	1	PEDAL ASSY,KICKSTARTR
16	13063-004	1	RUBBER KICK PEDAL
17	92081-154	1	SPRING
18	600A0800	1	BALL STEEL 1/4'
19	13061-031	1	BOSS,KICK PEDAL
20	92022-1019	1	WASHER,PLAIN 1.2T
21	482K0100	1	CIR CLIP



Ref #	Part Number	Qty	Description
1	25006-072	1	SPEEDOMETER ASSY,MPH KZ200-A1/A1A
1	25005-1038	1	SPEEDOMETER ASSY,MPH KZ200-A1/A1A
1	25005-1038	1	SPEEDOMETER ASSY,MPH KZ200-A2
1	25006-080	1	SPEEDOMETER ASSY,KPH (Canada)
1	25005-1025	1	SPEEDOMETER ASSY,KPH (Canada)
2	25016-031	1	TACHOMETER ASSY
2	25015-1016	1	TACHOMETER ASSY
3	92069-018	5	BULB 12V 3W
4	25010-022	2	SOCKET ASSY
5	25019-031	2	SHOCK DAMPER,SPEEDMET
6	25012-025	2	COVER,METER
7	92003-204	4	BOLT,HEX HEAD,6X14
8	25019-013	4	DAMPER RUBBER-METER
9	411B0600	4	WASHER PLAIN 6MM
10	322N0500	4	NUT-CAP,5MM
11	23016-022	1	LAMP ASSY,PILOT
12	25023-017	1	COVER,INDICATOR LIGHT
13	25011-056	1	SOCKET ASSY,INDICATOR
14	25024-008	1	COVER,METER BRACKET
15	92012-005	2	SCREW,PAN HEAD
16	25008-051	1	BRACKET,METER
17	411B0600	4	WASHER PLAIN 6MM
18	461K0600	4	WASHER-SPRING,6MM,BLA
19	92015-078	4	NUT
20	410B0400	1	WASHER PLAIN 4MM
21	461F0400	1	WASHER SPRING 4MM
22	220B0412	1	SCREW-PAN-CRSOSS,4X12
23	92075-248	4	DAMPER RUBBER,METER
24	92022-237	2	WASHER 6.5X22X1.6T
25	461F0600	AR	WASHER SPRING 6MM
26	311B0600	2	NUT 6MM
27	461F0600	2	WASHER SPRING 6MM
28	112G0616	2	BOLT-UPSET,6X16
29	27005-1031	1	SWITCH ASSY,IGNITION
30	27008-1002-01	1	KEY SET,#G01
30	27008-1002-35	1	KEY SET,#G35
30	27008-1028	AR	KEY,BLANK
30	27008-1029	AR	KEY,BLANK
30	27008-1034	AR	KEY,BLANK
30	27008-1035	AR	KEY,BLANK
31	27004-5055	AR	LOCK SET,KZ200A2

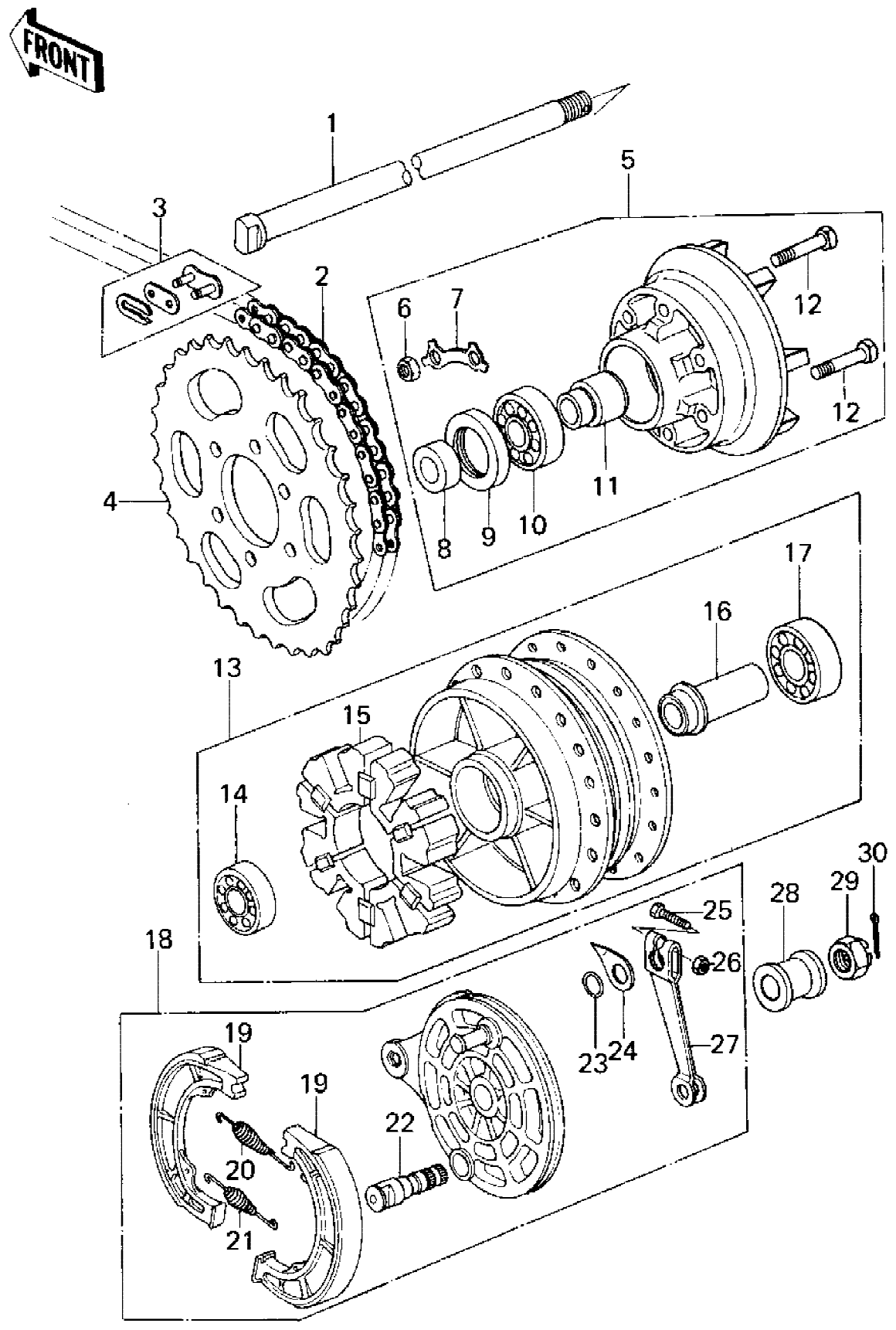


Ref #	Part Number	Qty	Description
1	16099-004	1	FILTER,OIL
2	92071-101	2	GROMMET,OIL FILTER
3	16156-002	1	BOLT ASSY,OIL FILTER
4	92136-002	1	PISTON
5	92081-043	1	SPRING,PISTON
6	92043-123	1	SPRING PIN
7	16097-1001	1	STRAINER ASSY,OIL WHN EXH USE 16097-1001
7	16097-1001	1	STRAINER ASSY,OIL
8	92071-100	1	GROMMET,OIL STRAINER
9	16082-066	1	OIL PUMP ASSY
10	16141-006	1	BODY,OIL PUMP
11	16154-5001	1	ROTOR,OIL PUMP
12	551A0608	1	PIN,DOWEL,6X8
13	16142-006	1	COVER,OIL PUMP
14	16085-026	1	GEAR,OIL PUMP
15	92042-041	1	PIN,DOWEL WHN EXH USE 92042-041
15	92042-041	1	PIN,DOWEL
16	220B0614	1	SCREW PAN HEAD 6X14
17	220B0625	3	SCREW PAN HEAD 6X25
18	551A0608	2	PIN,DOWEL,6X8
19	11060-1115	1	GASKET,OIL PUMP

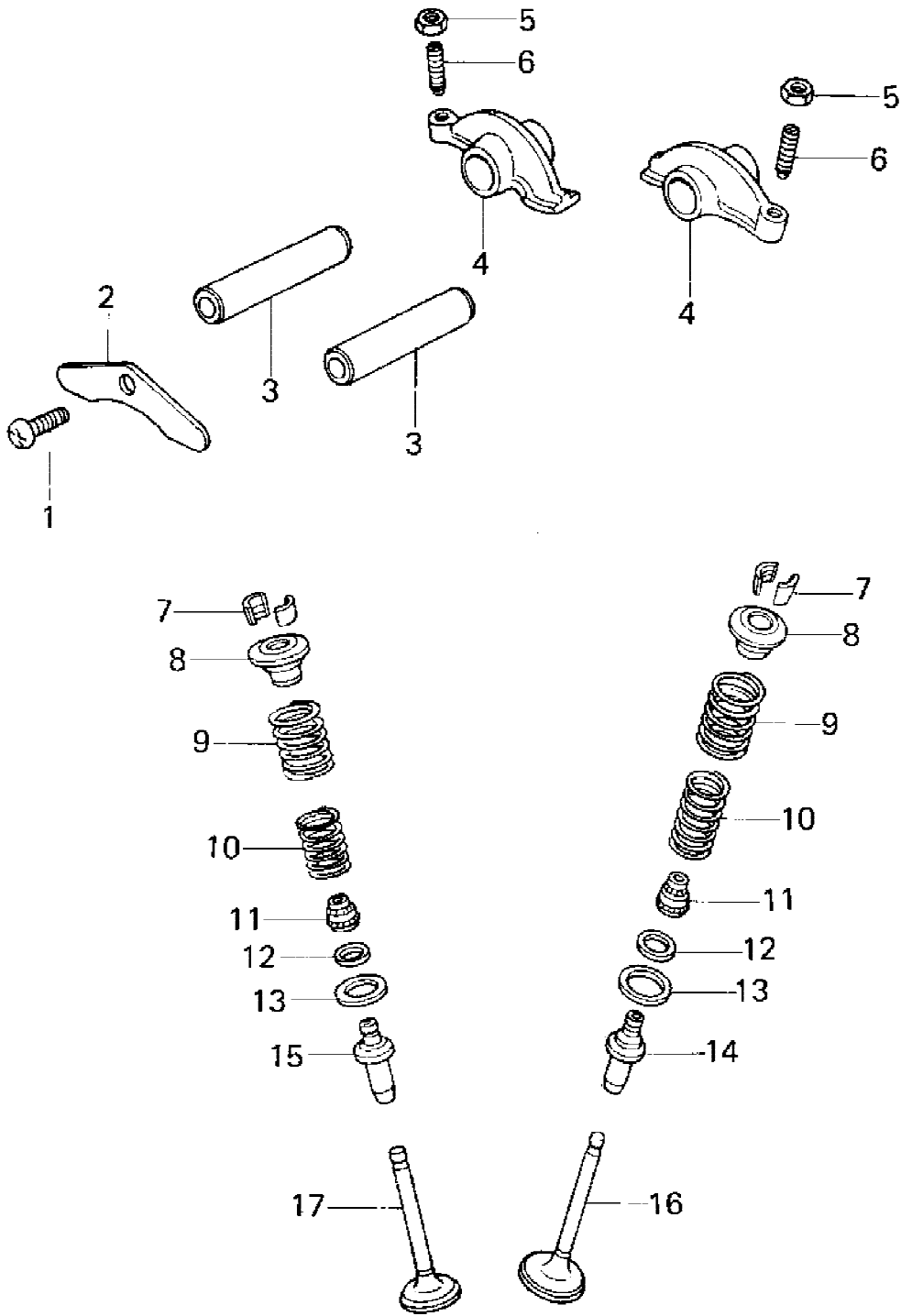


Ref #	Part Number	Qty	Description
1	56007-063	1	*** N.L.A.*** (Canada)
1	56007-1013	1	TOOL KIT
2	56008-009	1	BAG,TOOL
3	92126-001	1	WRENCH,OPEN,8X10
4	92126-002	1	WRENCH,OPEN END,12X13
5	92110-1153	1	TOOL-WRENCH,OPEN END,
6	92128-001	1	GAUGE,THICKENSS
7	92106-004	1	92106-1001 (Canada)
8	92110-1002	1	92110-1024 (Canada)
9	92110-1004	1	WRENCH,OPEN END,19M/M
10	92112-003	1	PLIERS,160MM
11	92107-1052	1	TOOL-DRIVER
12	92107-007	1	92107-1052 (Canada)
13	92107-008	1	92107-1002 (Canada)
14	92111-006	1	LEVER,SCREW DRIVER NOT USE FOR P/NO. 56007 1013
15	92110-1006	1	92110-1035 (Canada) NOT USE FOR P/NO. 56007 1013
16	92110-012	1	WRENCH,BOX,17X21
17	92110-1014	1	WRENCH,HOOK USE FOR P/NO. 56007 1013
18	92104-002	1	LIQUID GASKET 100G TUBE

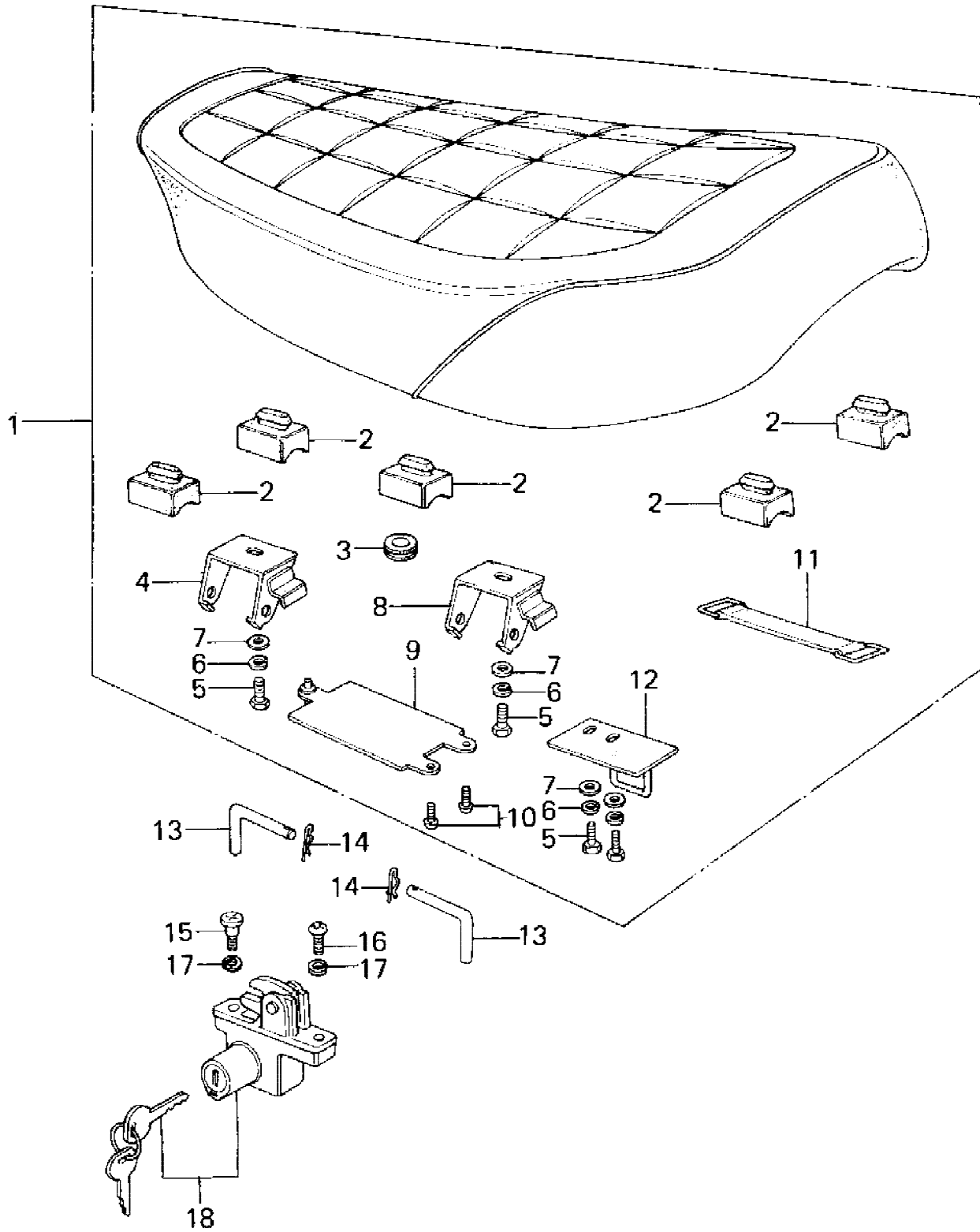




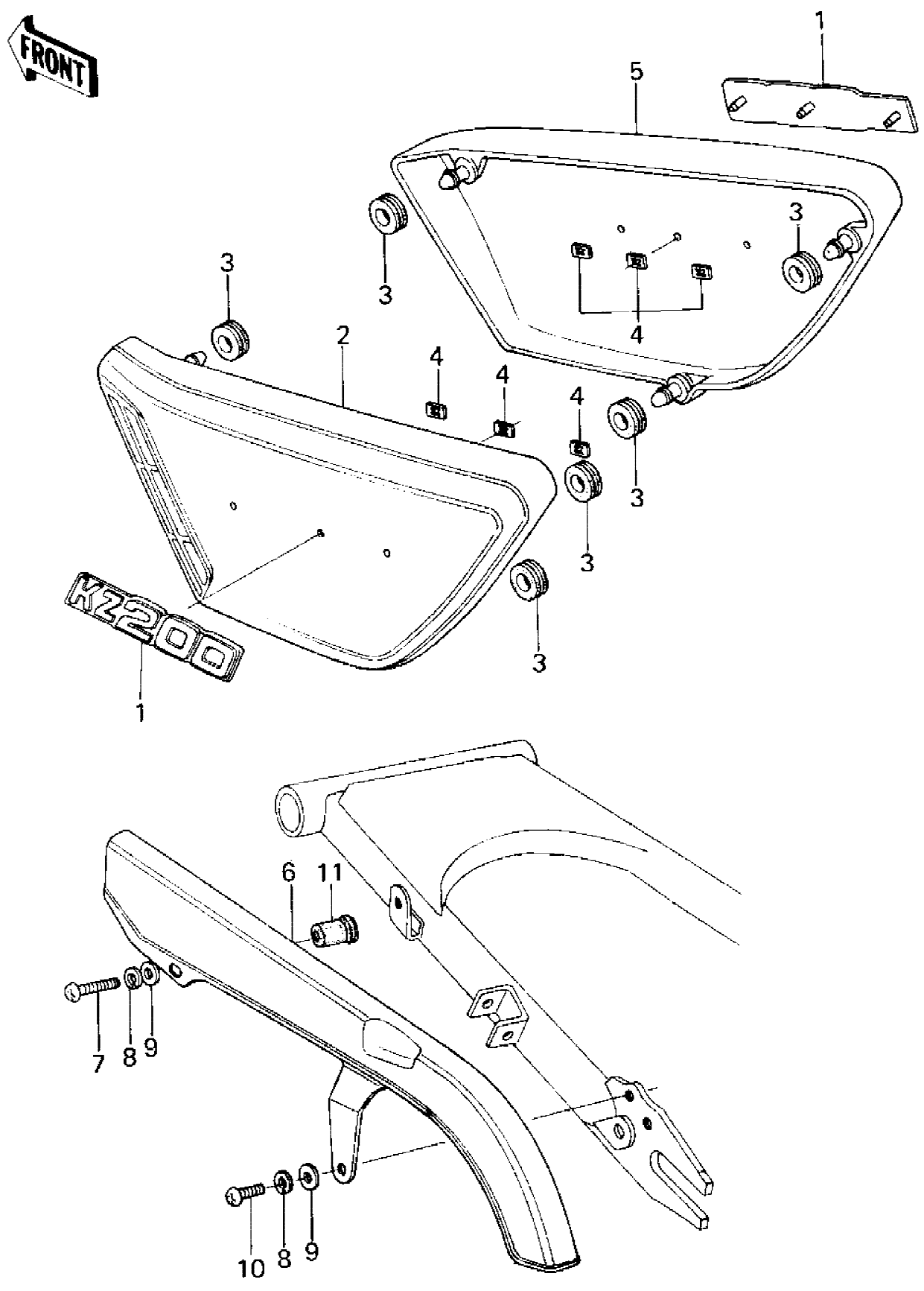
Ref #	Part Number	Qty	Description
1	42031-059	1	AXLE,REAR
2	92057-106	1	DR CHAIN 520X98 EK520SH
3	92058-1001	1	CHAIN JOINT 520
4	42041-1002	1	REAR SPROCKET,40T
5	42033-1029	1	COUPLING-ASSY,RR HUB
6	311B0800	6	NUT,8MM
7	92088-019	3	WASHER,SPROCKET LOCK
8	42037-029	1	COLLAR,REAR HUB COUPR
9	92050-060	1	OIL SEAL,RR HUB BRNG
10	601B6004	1	BEARING, BALL, #6004
11	42036-031	1	SLEEVE,REAR HUB COUPR
12	92001-021	6	BOLT REAR SPROCKET
13	42005-057	1	DRUM ASSY,REAR
14	601B6202	1	BEARING BALL #6202
15	42014-030	1	SHOCK DAMPER,REAR HUB
16	42010-037	1	SPACER,REAR HUB BEARG
17	601B6302Z	1	BEARING BALL #6302Z
18	41035-1090	1	RR BRAKE PANEL ASSY
19	42019-010	2	SHOE,BRAKE
20	92081-1766	1	SPRING,BRAKE SHOE
21	92081-1550	1	SPRING,BRAKE SHOE
22	42026-026	1	CAM SHAFT,REAR BRAKE
23	92055-004	1	"O" RING,11MM
24	41085-013	1	INDICATOR,FR BK SHOE
25	112G0630	1	BOLT-UPSET
26	41072-007	1	NUT,6MM
27	41053-002	1	LEVER,FRONT BRAKE CAM
28	42032-076	1	COLLAR,REAR AXLE
29	42045-020	1	NUT,14MM
30	550D3025	1	PIN COTTER 3.0X25



Ref #	Part Number	Qty	Description
1	220B0614	1	SCREW PAN HEAD 6X14
2	14014-034	1	PLATE,POSITIONING
3	12020-004	2	SHAFT,ROCKER ARM
4	12016-012	2	ARM,ROCKER
5	92016-061	2	NUT,ROCKER ARM FITTNG
6	92013-009	2	SCREW,SLOTTED,ROCKER
7	12011-004	4	SPLIT KEEPER
8	12009-006	2	RETAINER,VALVE SPRING
9	12007-013	2	SPRING,OUTER VALVE
10	12007-014	2	SPRING,INNER VALVE
11	92049-016	2	OIL SEAL,RV37129.5
12	12010-006	2	SEAT,VLV INNER SPRING O.D. = 23
13	12010-005	2	SEAT,VLV OUTER SPRING O.D. = 31
14	12013-003	1	GUIDE,INLET VALVE
15	49002-1010	1	GUIDE,EXHAUST VALVE
16	12004-018	1	VALVE,INLET
17	12005-010	1	VALVE,EXHAUST

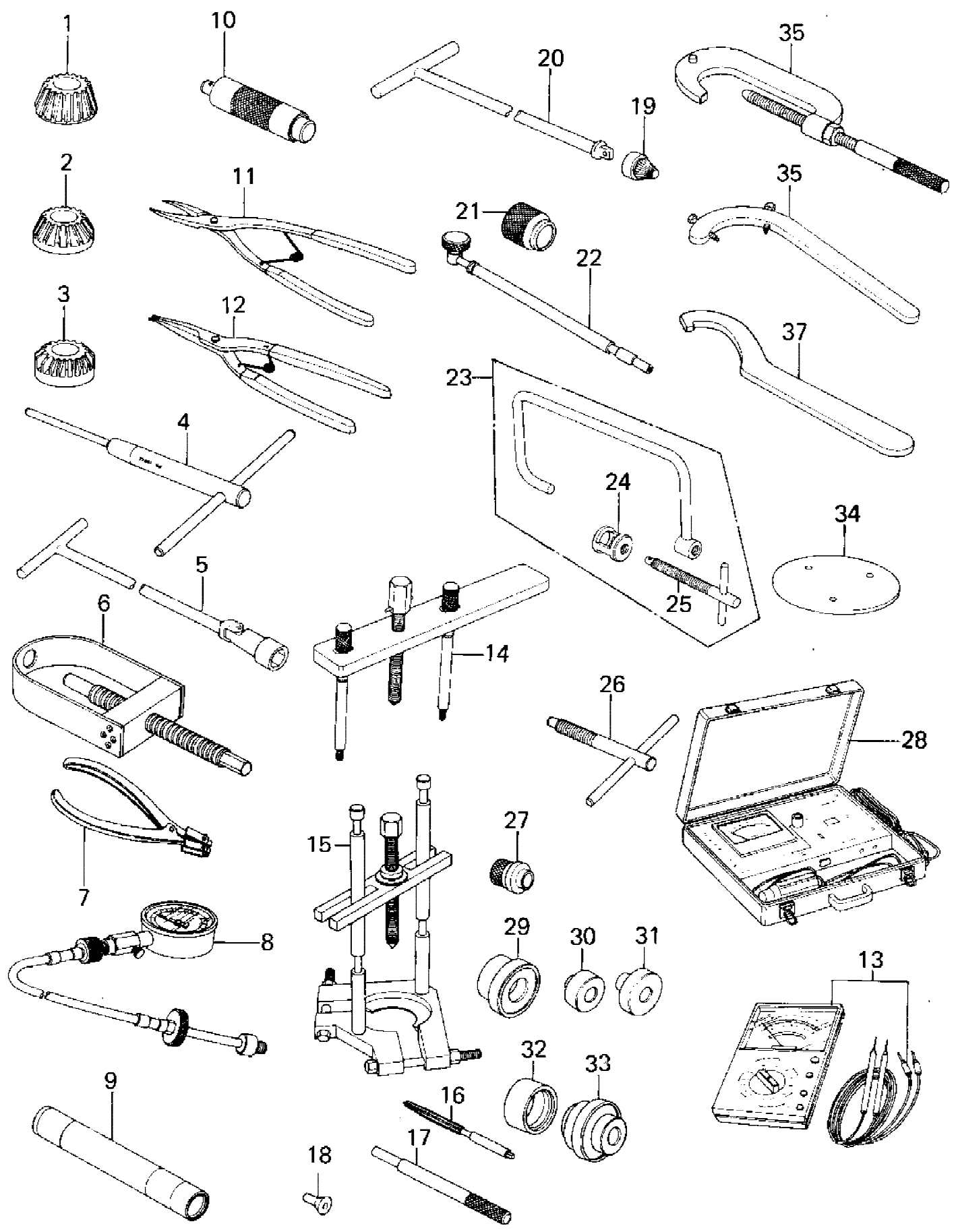


Ref #	Part Number	Qty	Description
1	53001-1199	1	SEAT-ASSY,DUAL,L/BAND KZ200-A1/A1A
1	53001-1199	1	SEAT-ASSY,DUAL,L/BAND KZ200-A2
2	92075-099	5	DAMPER RUBBER
3	92071-056	1	GROMMET
4	53009-039	1	HINGE,FRONT FRONT
5	112B0614	4	BOLT-UPSET 6X14
6	461F0600	4	WASHER SPRING 6MM
7	411B0600	4	WASHER PLAIN 6MM
8	53009-040	1	HINGE,REAR REAR
9	32099-011	1	CASE
10	220B0508	1	SCREW PAN HEAD 5X8
11	92072-1006	2	BAND
12	53008-024	1	HOOK,SEAT
13	53011-010	2	PIN
14	92041-003	2	COTTER PIN
15	92001-1021	1	BOLT,HELMET HOOK,6MM
16	220B0614	1	SCREW PAN HEAD 6X14
17	461F0600	2	WASHER SPRING 6MM
18	27016-5024	1	LOCK ASSY,SEAT

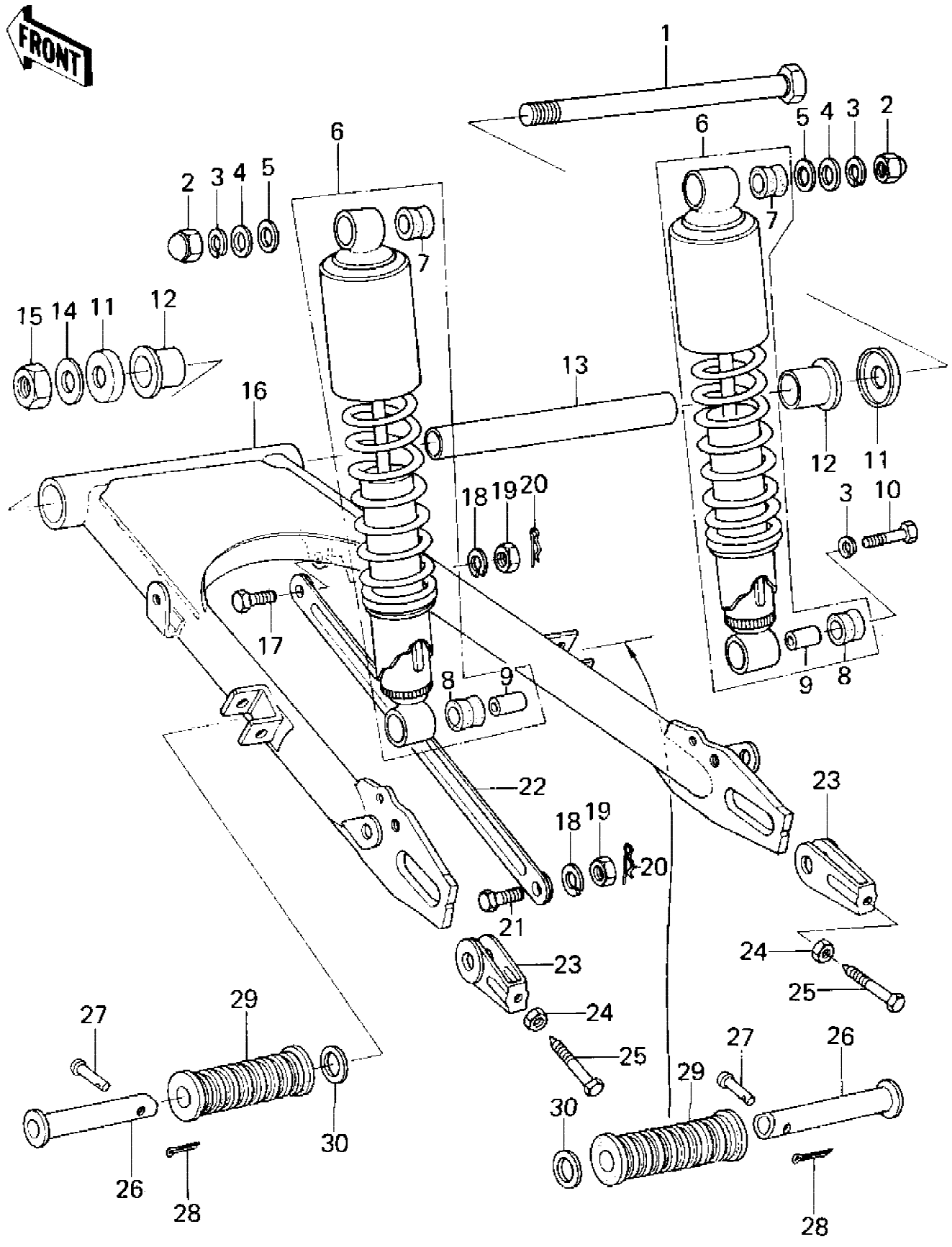


Ref #	Part Number	Qty	Description
1	56018-264	2	EMBLEM,SIDE COVER
1	56018-1070	2	EMBLEM,SIDE COVER
2	36001-1047-4M	1	COVER, LH SIDE KZ200-A1/A1A
2	36001-1047-4Z	1	COVER-SIDE,LH.BROW KZ200-A1/A1A
2	36001-1047-B1	1	COVER,L.H SIDE,F.RED KZ200-A2
3	92071-056	6	GROMMET
4	92018-005	6	NUT,LOCK,3MM
5	36001-1048-4M	1	COVER,R.H.SIDE C.BLUE KZ200-A1/A1A
5	36001-1048-4Z	1	COVER-SIDE KZ200-A1/A1A
5	36001-1048-B1	1	COVER,R.H SIDE,F.RED KZ200-A2
6	36014-070	1	CASE-CHAIN
7	220B0650	1	SCREW PAN HEAD 6X50
8	461F0600	2	WASHER SPRING 6MM
9	411B0600	2	WASHER PLAIN 6MM
10	220B0612	1	SCREW PAN HEAD 6X12
11	92075-1030	1	DAMPER,RUBBER

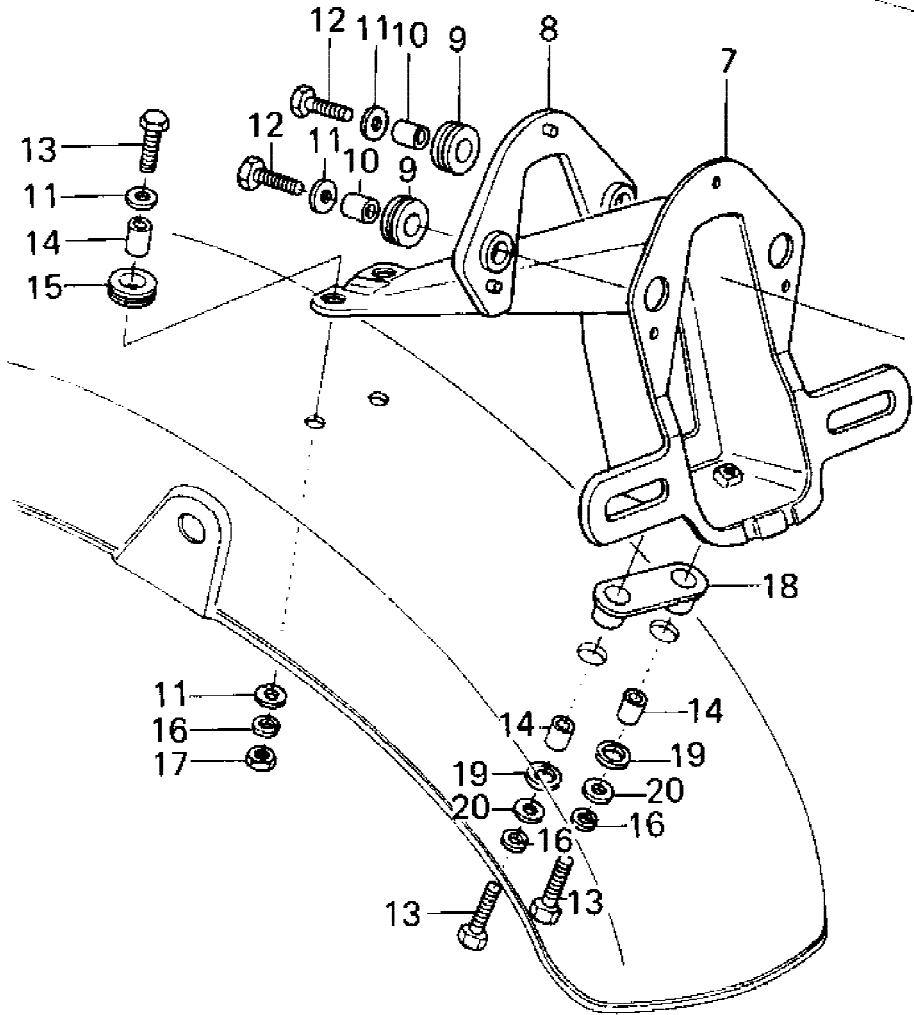
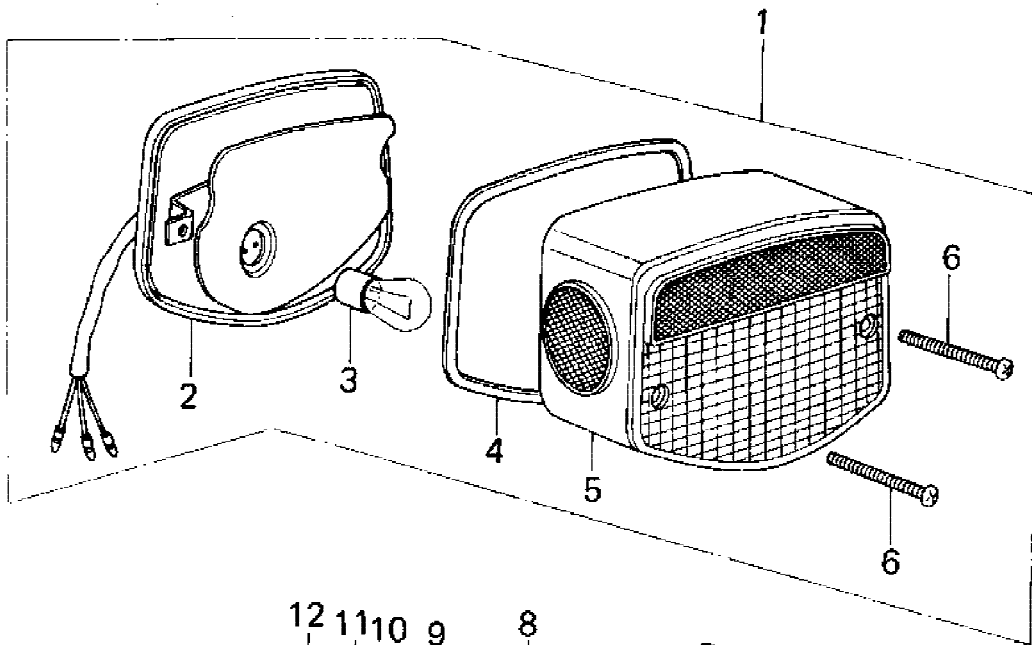




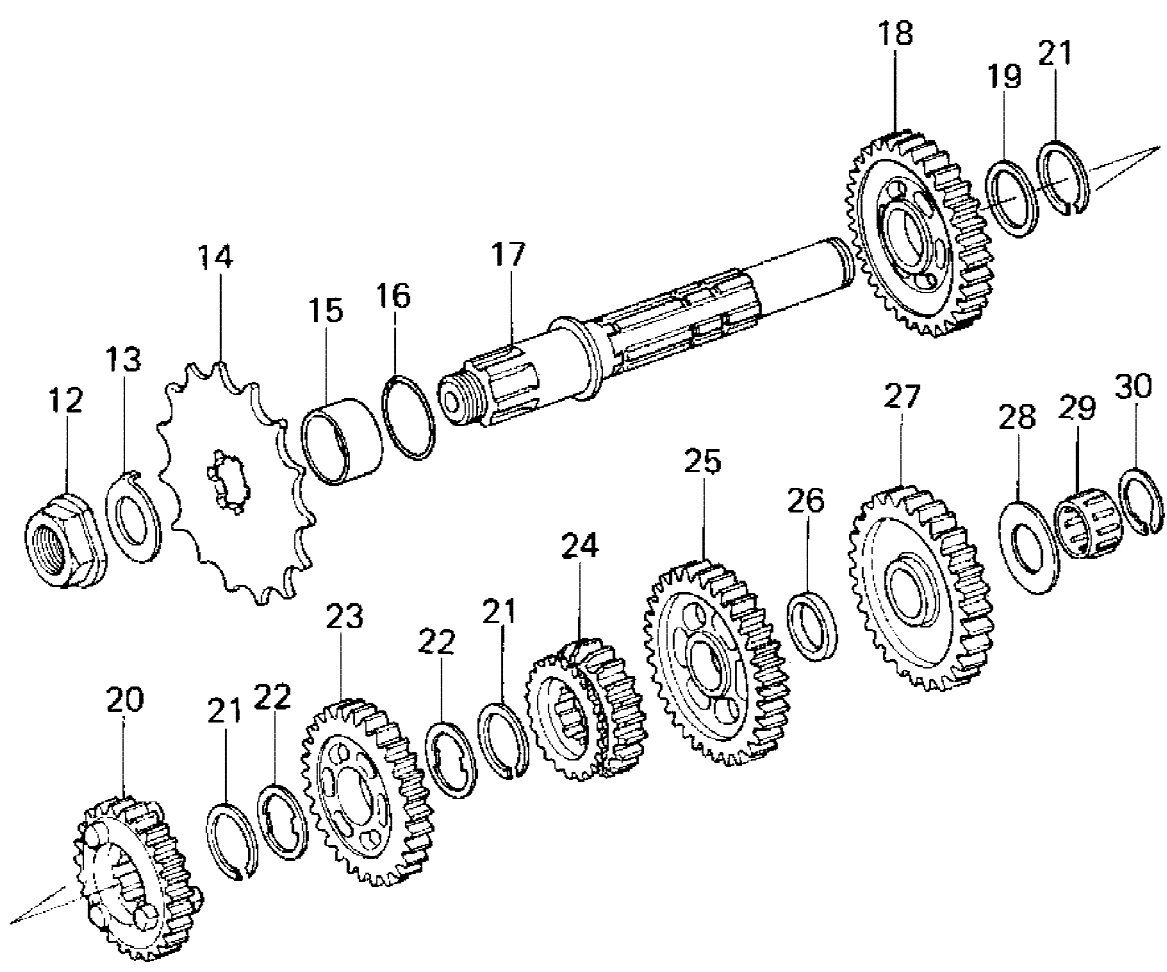
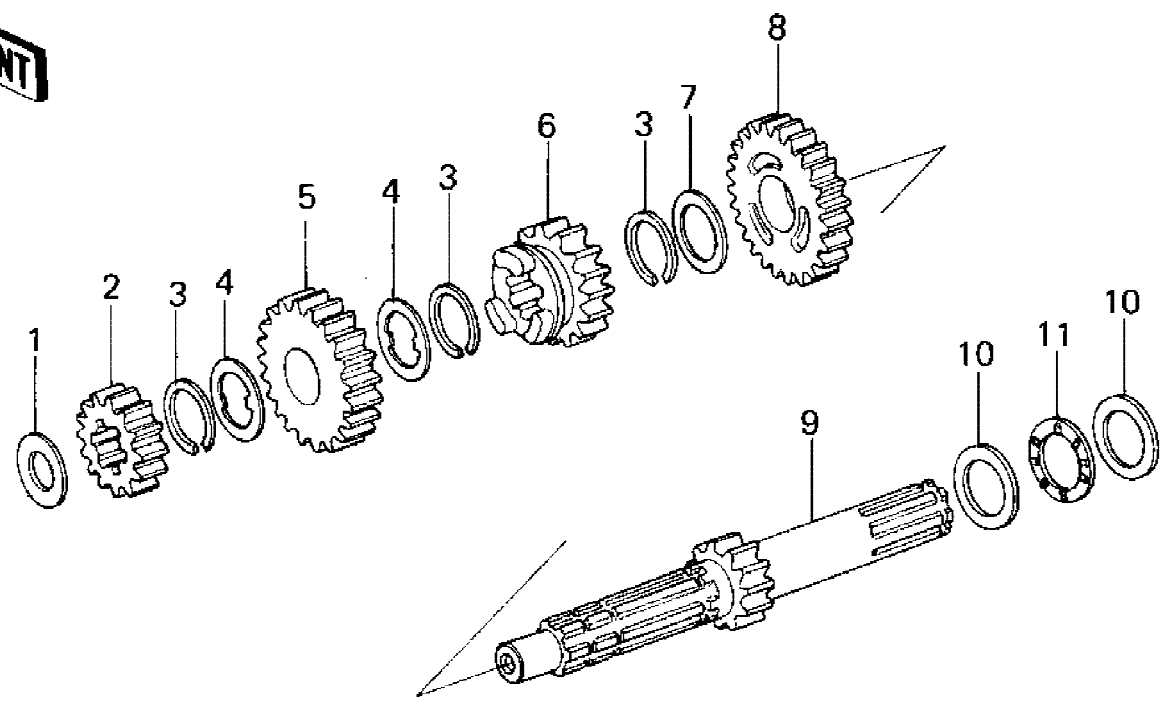
Ref #	Part Number	Qty	Description
1	57001-101	1	*** N.L.A.*** (Canada)
2	57001-102	1	*** N.L.A.*** (Canada)
3	57001-104	1	*** N.L.A.*** (Canada)
4	57001-106	1	*** N.L.A.*** (Canada)
5	57001-110	1	WRENCH,SPARK PLUG (Canada)
6	57001-114	1	57001-910 (Canada)
7	57001-115	1	PLIERS-PISTON RING
8	57001-123	1	*** N.L.A.*** (Canada)
9	57001-137	1	DRIVER,STEM BEARING
10	57001-139	1	*** N.L.A.*** (Canada)
11	57001-143	1	PLIERS,CIRCLIP,INSIDE
12	57001-144	1	PLIERS,CIRCLIP,OUTSID
13	57001-983	1	MULTIMETER
14	57001-153	1	57001-1098 (Canada)
15	57001-158	1	PULLER,STEM BEARING
16	57001-162	1	REAMER,VALVE GUIDE
17	57001-163	1	ARBOR,VALVE GUIDE
18	57001-317	1	ADAPTER,2ND GEAR PULR
19	57001-181	1	57001-1011 (Canada)
20	57001-183	1	HANDLE,FORK CLY HOLDR
21	57001-196	1	57001-1219 (Canada)
22	57001-208	1	GAUGE,FUEL LEVEL
23	57001-241	1	COMPRESSOR,VLV SPRING
24	57001-242	1	57001-246 (Canada)
25	57001-244	1	BOLT,VALVE COMPRESER
26	57001-254	1	57001-1216 (Canada)
27	57001-264	1	GUIDE,SHIFT OIL SEAL
28	57001-980	1	*** N.L.A.*** (Canada)
29	57001-283	1	57001-1129 (Canada)
30	57001-288	1	57001-1129 (Canada)
31	57001-289	1	57001-1129 (Canada)
32	57001-292	1	DRIVER,STEM BEARING
33	57001-293	1	*** N.L.A.*** (Canada)
34	57001-405	1	COVER-TIMING INSPECT.
35	57001-307	1	57001-1243 (Canada)
36	57001-308	1	57001-1313 (Canada)
37	57001-320	1	57001-1100 (Canada)



Ref #	Part Number	Qty	Description
1	33032-037	1	SHAFT-SWING ARM PIVOT
2	92020-003	2	NUT SHOCK ABSORBER
3	461F1000	4	WASHER SPRING 10MM
4	411B1000	2	WASHER PLAIN 10MM
5	92022-044	2	WASHER-PL-10.5X26X2.3
6	45014-120	2	SHOCK ABSBR RR
7	45017-015	2	BUSHING,SHCK ABS RUB UPPER
8	45017-012	2	BUSHING, SHCK ABS RUB LOWER
9	45016-008	2	BUSHING,SHOCK ABSORB
10	113N1035	2	BOLT HEX HEAD 10X35
11	33035-010	2	CAP,SWING ARM
12	33033-009	2	BUSHING-SWING ARM
13	42036-1004	1	SLEEVE,SWING ARM
14	410B1400	1	WASHER PLAIN 14MM
15	92019-011	1	NUT-LOCK,14MM
16	33001-094	1	ARM,SWING
17	92003-017	1	BOLT TORQUE LINK FIT
18	461F1000	2	WASHER SPRING 10MM
19	315B1000	2	NUT 10MM
20	554A0800	2	PIN,SNAP
21	92003-096	1	BOLT
22	43007-016	1	TORQUE LINK REAR BRK
23	33040-1001	2	ADJUSTER,CHAIN
24	312B0800	2	NUT 8MM
25	92001-1399	2	BOLT,8X50
26	34028-009	2	BAR-RR FOOTREST (OPT)
27	92043-1464	2	PIN
28	550D2015	2	PIN COTTER 2.0X15
29	92076-024	2	RUBBER,REAR FOOTREST
30	92022-199	2	WASHER-PLAIN (OPT)

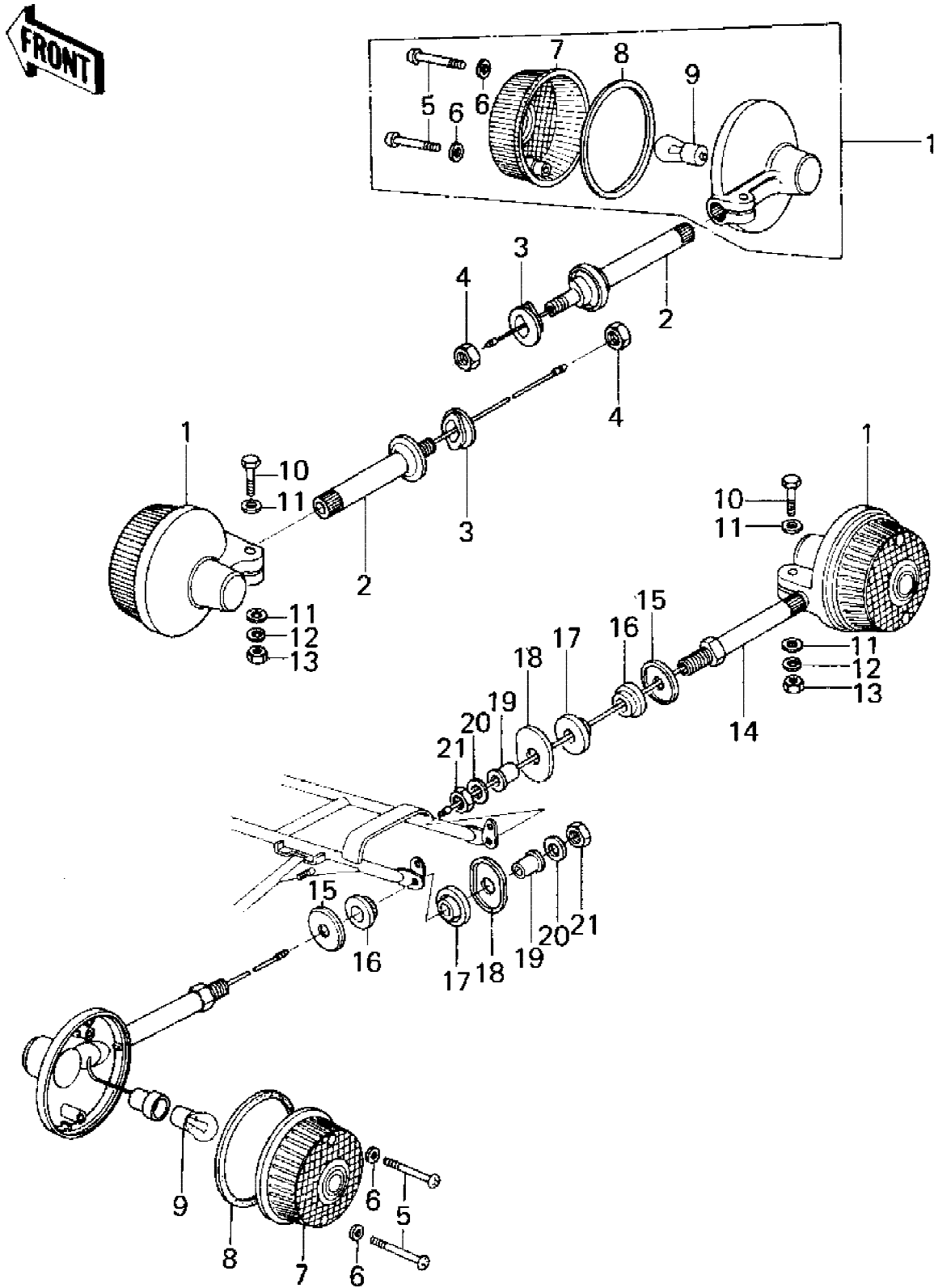


Ref #	Part Number	Qty	Description
1	23025-064	1	TAIL LAMP UNIT
2	23027-041	1	CASE, TAIL LIGHT
3	92069-059	1	BULB, 12V 32/3CP
4	23028-021	1	GASKET, TAIL LENS
5	23026-034	1	LENS, TAIL LAMP
6	220R0460	2	SCREW-PAN-CROS
7	23036-055	1	BRACKET, LICENSE PLATE
8	23066-023	1	DAMPER RUBBER
9	23066-020	2	DAMPER RUBBER
10	92027-129	2	COLLAR, 6.8X10X8.5
11	92022-125	6	WASHER 6.5X20X1.6T
12	112G0618	2	BOLT-UPSET
13	112G0625	4	BOLT-UPSET
14	92027-241	4	COLLAR
15	92075-209	2	DAMPER RUBBER, RR FENR
16	461F0600	4	WASHER SPRING 6MM
17	311B0600	2	NUT 6MM
18	92075-273	1	DAMPER RUBBER, FENDER
19	92075-121	2	DAMPER RUBBER, RR FEND
20	92022-237	2	WASHER 6.5X22X1.6T

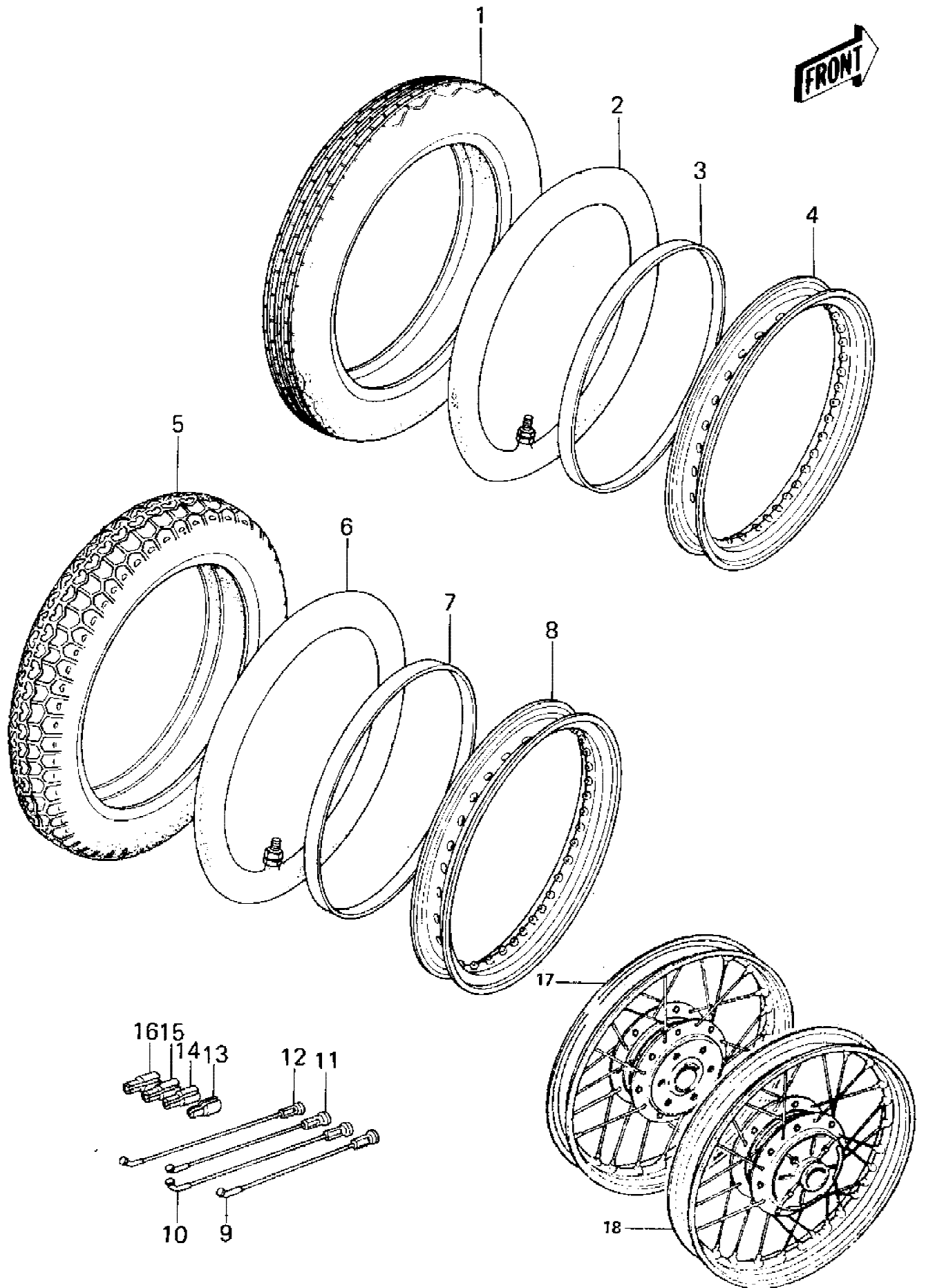


Ref #	Part Number	Qty	Description
1	92022-279	1	WASHER,THRUST,15MM
2	13129-1022	1	2ND GEAR,DRIVE SHAFT 15T
3	92033-025	3	CIRCLIP,25MM
4	92024-039	2	WASHER-LOCK
5	13134-026	1	4TH GEAR,DRIVE SHAFT 20T
6	13129-1284	1	GEAR,INPUT,3RD,20T 20T
7	92022-198	1	WASHER-PLAIN
8	13136-057	1	TOP GEAR,DRIVE SHAFT 21T
9	13127-053	1	SHAFT,DRIVE
10	92022-314	2	WASHER,PLAIN
11	92046-052	1	BRG,NEEDLE,AXK1104
12	92015-1013	1	NUT,LOCK,16M/M
13	92022-1017	1	WASHER,LOCK
14	13144-069	1	ENGINE SPROCKET,15T
15	92027-287	1	COLLAR,ENGINE SPROCKT
16	92055-022	1	"O" RING
17	13128-1007	1	SHAFT,OUTPUT
18	13131-044	1	2ND GEAR,OUTPUT 26T 26T
19	92022-198	1	WASHER-PLAIN
20	13129-1285	1	GEAR,OUTPUT 4TH,21T 21T
21	92033-025	3	CIRCLIP,25MM
22	92024-039	2	WASHER-LOCK
23	13133-044	1	3RD GEAR,OUTPUT SHAFT 26T
24	13137-037	1	TOP GEAR,OUTPUT SHAFT 19T
25	13129-058	1	LOW GEAR,OUTPUT SHAFT 29T
26	92026-114	1	SPACER
27	13073-013	1	IDLE GEAR,KICKSTARTER
28	92022-270	1	WASHER,PLAIN
29	92046-1184	1	BEARING-NEEDLE KT172314
30	92033-032	1	CIRCLIP,16MM





Ref #	Part Number	Qty	Description
1	23040-054	4	LAMP,TURN SIGNAL
2	23051-053	2	BRACKET,TURN SIGNAL.L FRONT
3	92075-128	2	DAMPER RUBBER
4	315B1000	2	NUT 10MM
5	220E0420A	8	SCREW-PAN HEAD,4X20
6	23058-002	8	WASHER-PLAIN,4MM
7	23048-1001	4	LENS,TURN SIGNAL LAMP
8	23050-003	4	GASKET-SIG LAMP LENS
9	92069-055	4	BULB 12V 32CP (23W)
10	112G0630	4	BOLT-UPSET
11	411B0600	8	WASHER PLAIN 6MM
12	461F0600	4	WASHER SPRING 6MM
13	311B0600	4	NUT 6MM
14	23051-049	2	BKT TURN SIGNL LIGHT REAR
15	92102-015	2	CAP,SIGNAL LIGHT STAY
16	92075-241	2	DAMPER RUBBER,SIGNAL
17	92075-238	2	DAMPER RUBBER,SIGNAL
18	92102-013	2	CAP,RR SIG LIGHT STAY
19	92027-225	2	COLLAR,RR SIG LIGHT
20	411B1200	2	WASHER PLAIN 12MM
21	315B1200	2	NUT-HEX-FINE,12MM



Ref #	Part Number	Qty	Description
1	41002-1570	1	TIRE Y-954
2	41022-032	1	TUBE 250/275-18
3	41023-1006	1	BAND,RIM,4.00/5.10-18 FRONT
4	41025-094	1	RIM,FRONT,1.60X18
5	41002-1008	1	TIRE 325-17 Y955 R Y-955
6	41022-1001	1	TUBE 3.25/3.50-17
7	41023-1002	1	BAND,RIM REAR
8	41025-095	1	RIM,REAR,1.85X17
9	41027-5005	18	SPOKE-ASY,FR INNER 100 X 179.5 M/M
10	41028-5004	18	SPOKE-ASY,FR OUTER 84 X 179 M/M
11	41027-5006	18	SPOKE-ASY,RR INNER 101 X 151 M/M
12	41028-5005	18	SPOKE-ASY,RR OUTER 82 X 150.5 M/M
13	41075-1010	AR	WEIGHT,BALANCE,5G
14	41075-1007	AR	WEIGHT,BALANCE,10G
15	41075-1008	AR	WEIGHT,BALANCE,20G
16	41075-1009	AR	WEIGHT,BALANCE,30G
17	41073-5009	1	WHEEL ASSY,FRONT
18	41073-5010	1	WHEEL ASSY,REAR