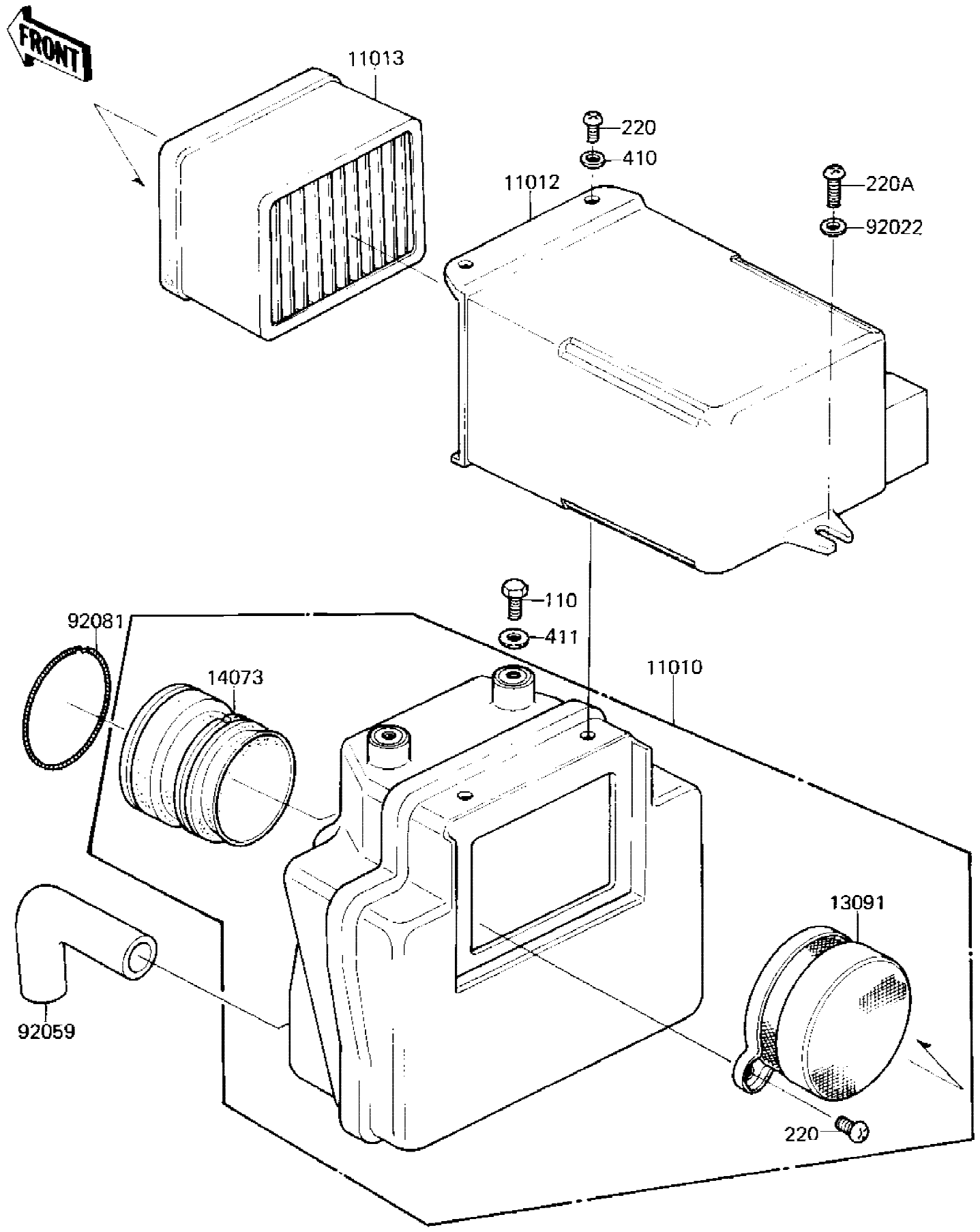
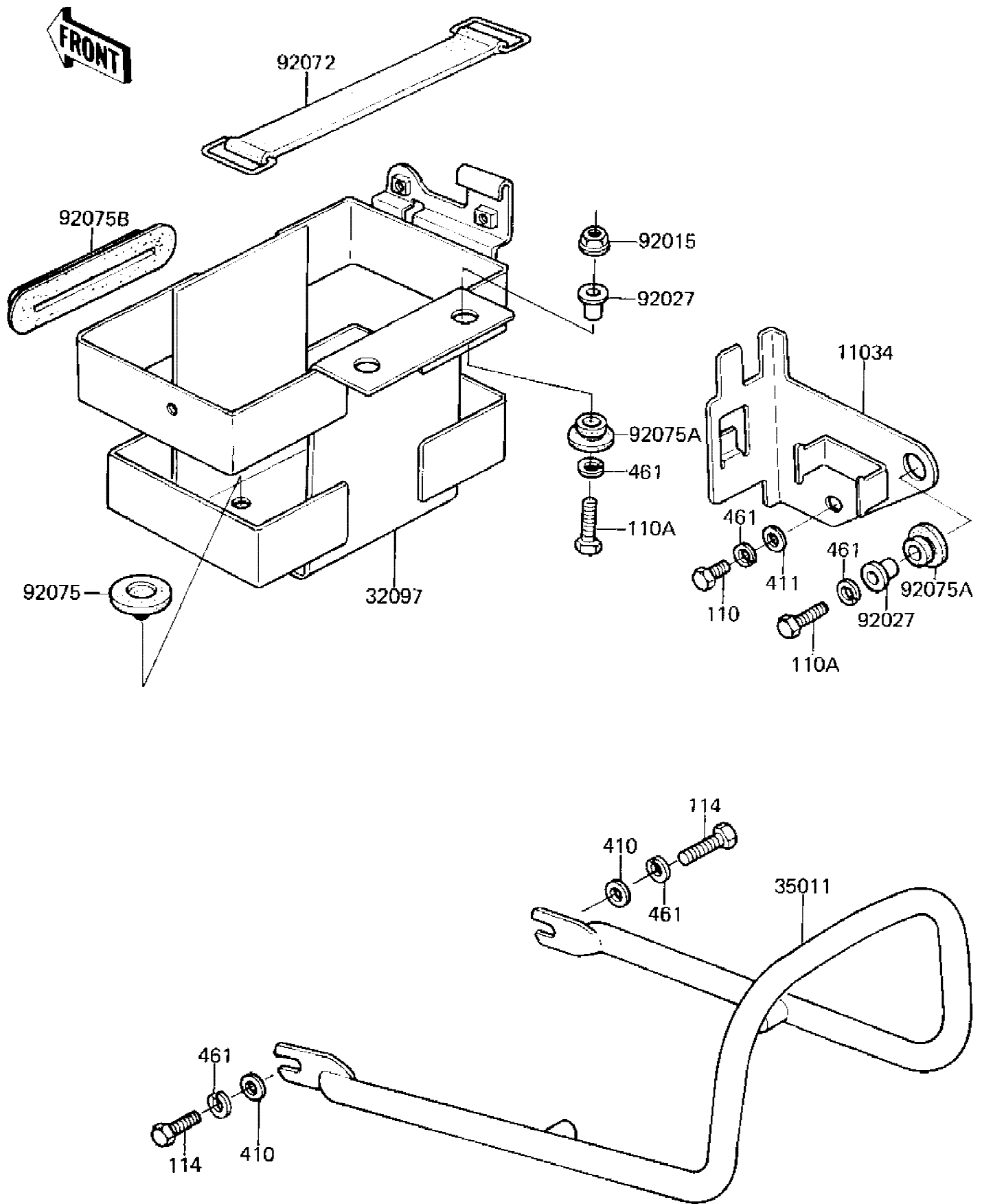


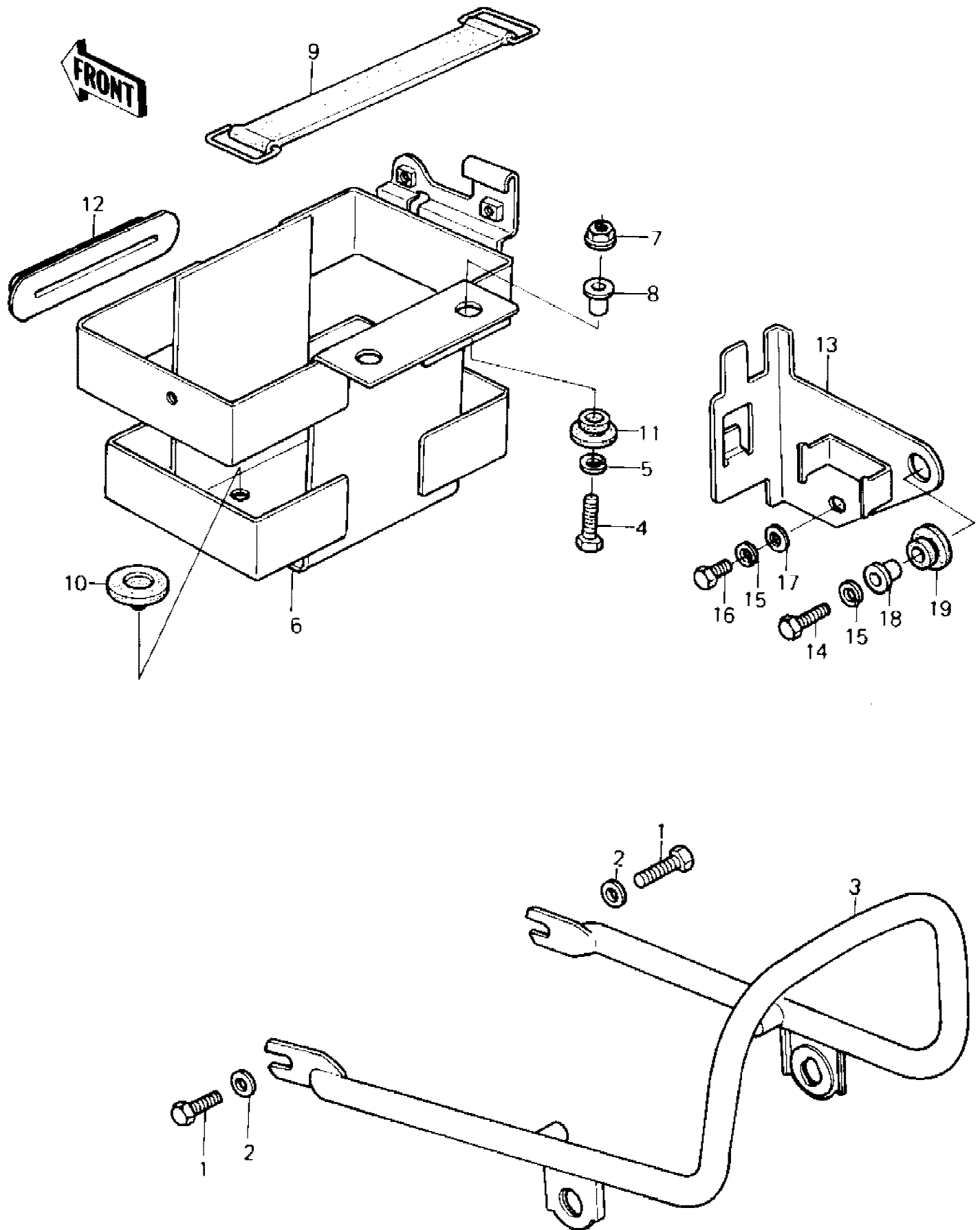
Ref #	Part Number	Qty	Description
1	11010-5022	1	AIR CLEANER ASSY
2	11012-1103	1	CAP,AIR CLEANER
3	11013-1030	1	ELEMENT,AIR CLNR
4	13091-1067	1	HOLDER AIR CLEANER
5	14073-1031	1	DUCT,AIR CLEANER
6	112G0612	2	BOLT-UPSET,6X12
7	411B0600	2	WASHER PLAIN 6MM
8	220B0610	4	SCREW PAN HEAD 6X10
9	410B0600	2	WASHER PLAIN 6MM
10	220B0614	1	SCREW PAN HEAD 6X14
11	92022-1565	1	WASHER,6.5X16X2
12	92059-1113	1	TUBE,BREATHER
13	92081-1178	1	SPRING,AIR CLEANER



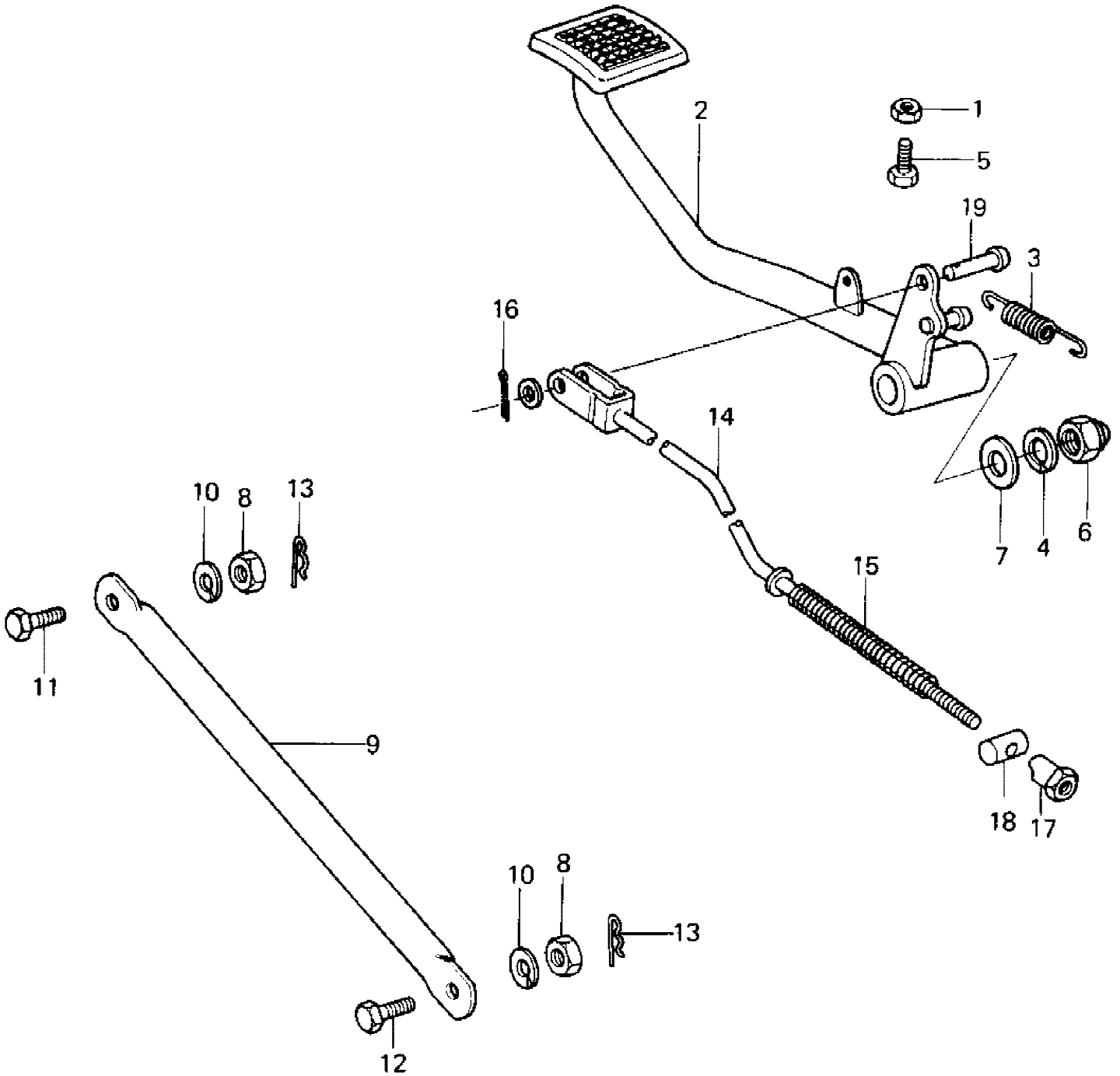
Ref #	Part Number	Qty	Description
11010	11010-5022	1	AIR CLEANER ASSY
11012	11012-1103	1	CAP,AIR CLEANER
11013	11013-1030	1	ELEMENT,AIR CLNR
13091	13091-1067	1	HOLDER AIR CLEANER
14073	14073-1031	1	DUCT,AIR CLEANER
92022	92022-1565	1	WASHER,6.5X16X2
92059	92059-1113	1	TUBE,BREATHER
92081	92081-1178	1	SPRING,AIR CLEANER
1110	112G0612	2	BOLT-UPSET,6X12
2220	220B0610	4	SCREW PAN HEAD 6X10
2220A	220B0614	1	SCREW PAN HEAD 6X14
410	410B0600	2	WASHER PLAIN 6MM
411	411B0600	2	WASHER PLAIN 6MM



Ref #	Part Number	Qty	Description
11034	11034-1672	1	BRACKET,RELAY
32097	32097-1023	1	CASE,BATTERY
35011	35011-1061	1	STAY
92015	92015-1078	2	NUT-6MM
92027	92027-194	3	COLLAR
92072	92072-006	1	BAND BATTERY
92075	92075-078	4	DAMPER RUBBER
92075A	92075-277	3	DAMPER RUBBER
92075B	92075-280	1	DAMPER RUBBER
110	112G0612	1	BOLT-UPSET,6X12
110A	112B0622	3	BOLT 6X22
114	115G0816	2	BOLT-SMALL-UPSET,8X16
410	410B0800	2	WASHER PLAIN 8MM
411	411B0600	1	WASHER PLAIN 6MM
461	461F0600	4	WASHER SPRING 6MM
461A	461F0800	2	WASHER SPRING 8MM

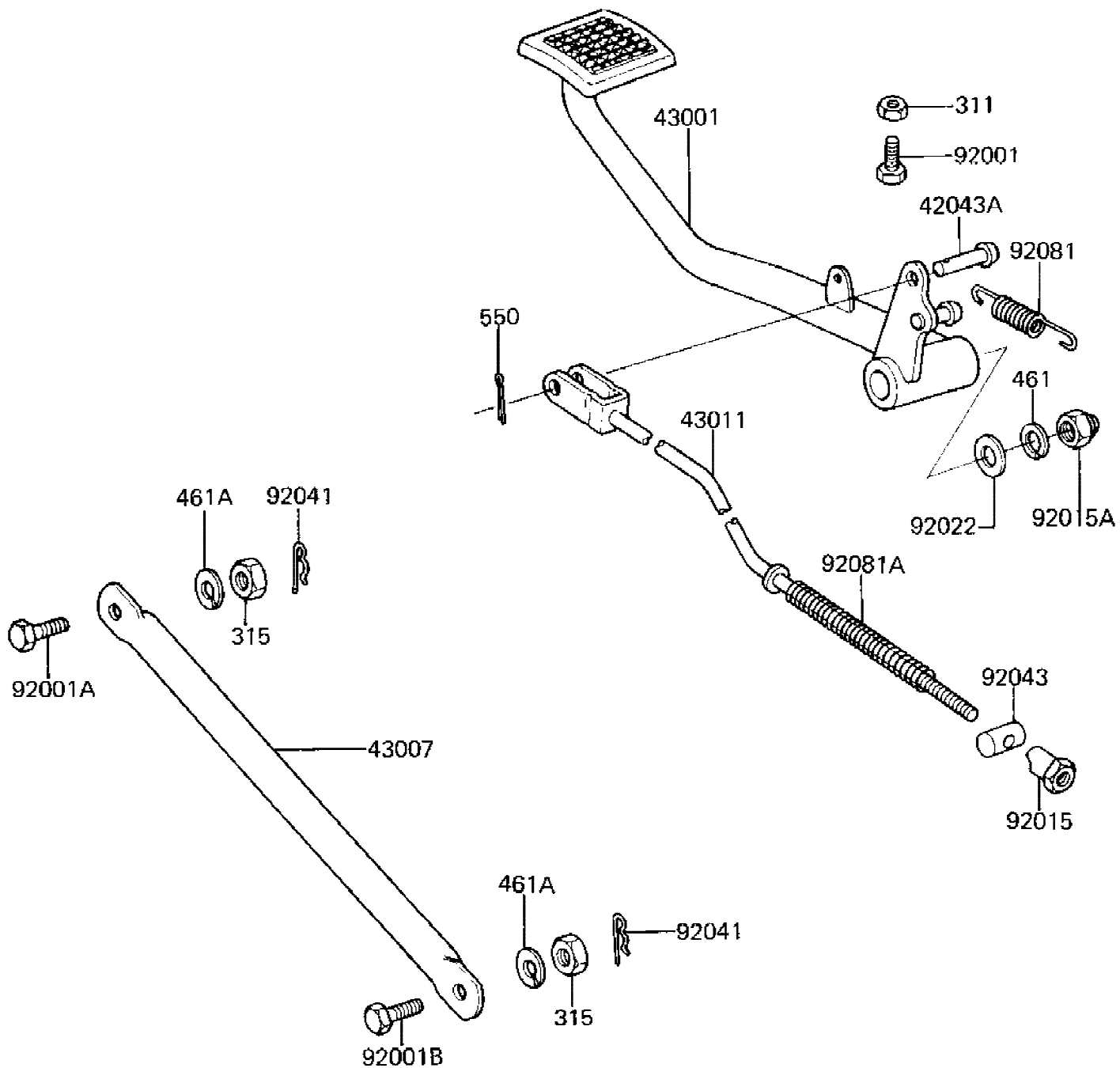


Ref #	Part Number	Qty	Description
1	115G0816	2	BOLT-SMALL-UPSET,8X16
2	461F0800	2	WASHER SPRING 8MM
3	35011-1039	1	STAY,RR FENDER
4	112B0622	2	BOLT 6X22
5	461F0600	2	WASHER SPRING 6MM
6	32097-1023	1	CASE,BATTERY
7	92015-1078	2	NUT-6MM
8	92027-194	3	COLLAR
9	92072-006	1	BAND BATTERY
10	92075-078	4	DAMPER RUBBER
11	92075-277	2	DAMPER RUBBER
12	92075-280	1	DAMPER RUBBER
13	11034-1672	1	BRACKET,RELAY
14	112B0622	1	BOLT 6X22
15	461F0600	2	WASHER SPRING 6MM
16	112G0612	1	BOLT-UPSET,6X12
17	411B0600	1	WASHER PLAIN 6MM
18	92027-194	1	COLLAR
19	92075-277	1	DAMPER RUBBER

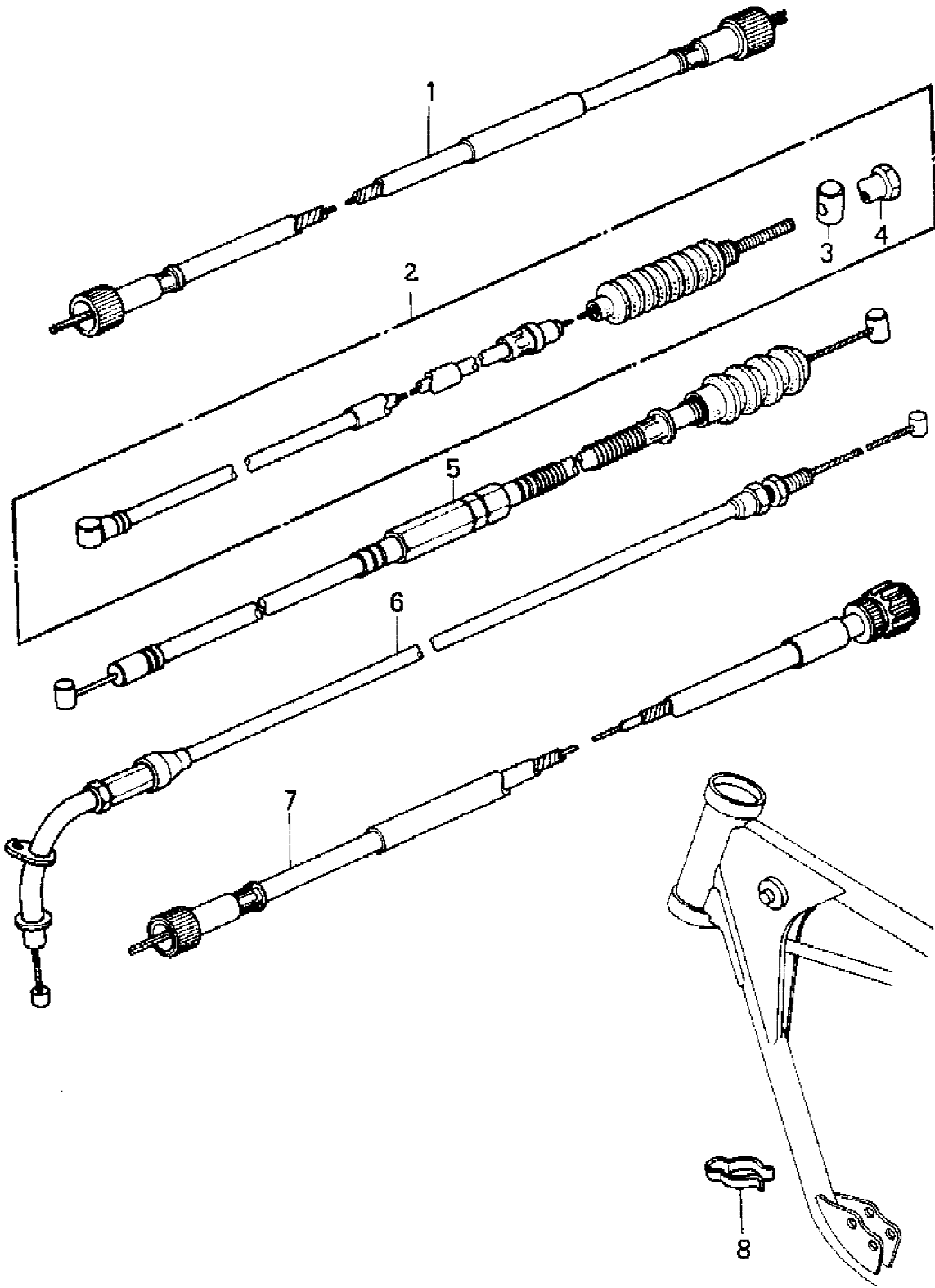


Ref #	Part Number	Qty	Description
1	311B0600	1	NUT 6MM
2	43001-1044	1	PEDAL,BRAKE
3	43005-029	1	SPRING,BRAKE PEDAL
4	461F0800	1	WASHER SPRING 8MM
5	92001-1090	1	BOLT,HEX HEAD,6X25
6	92019-013	1	NUT,CAP AND LOCK,8MM
7	92022-1561	1	WASHER,8.5X20X1.6
8	315B1000	2	NUT 10MM
9	43007-018	1	TORQUE LINK REAR BRK
10	461F1000	2	WASHER SPRING 10MM
11	92003-017	1	BOLT TORQUE LINK FIT
12	92003-096	1	BOLT
13	554A0800	2	PIN,SNAP
14	43011-1022	1	ROD,BRAKE
15	43012-001	1	SPRING,BRAKE ROD
16	550D2015	1	PIN COTTER 2.0X15
17	92015-042	1	NUT-BRAKE ROD ADJUST
18	92043-039	1	PIN BRAKE
19	92043-090	1	PIN,BRAKE ROD FITTING

F2260-0004



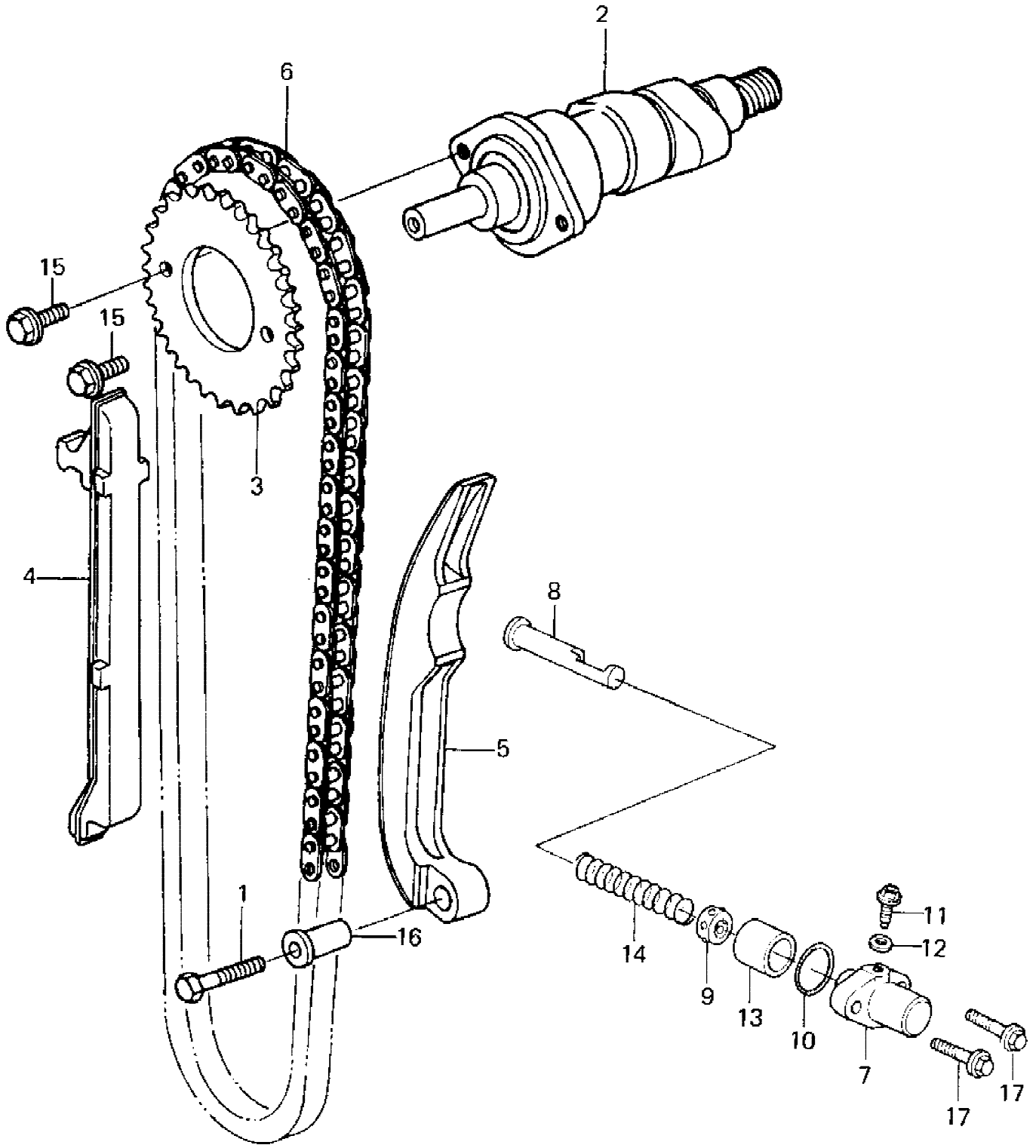
Ref #	Part Number	Qty	Description
43001	43001-1044	1	PEDAL,BRAKE
43007	43007-018	1	TORQUE LINK REAR BRK
43011	43011-1022	1	ROD,BRAKE
92001	92001-1090	1	BOLT,HEX HEAD,6X25
92001A	92003-017	1	BOLT TORQUE LINK FIT
92001B	92003-096	1	BOLT
92015	92015-042	1	NUT-BRAKE ROD ADJUST
92015A	92015-1131	1	NUT,CAP,LOCK,8MM
92022	92022-1561	1	WASHER,8.5X20X1.6
92041	554A0800	2	PIN,SNAP
92043	92043-039	1	PIN BRAKE
92043A	92043-090	1	PIN,BRAKE ROD FITTING
92081	43005-029	1	SPRING,BRAKE PEDAL
92081A	43012-001	1	SPRING,BRAKE ROD
311	311B0600	1	NUT 6MM
315	315B1000	2	NUT 10MM
461	461F0800	1	WASHER SPRING 8MM
461A	461F1000	2	WASHER SPRING 10MM
550	550D2015	1	PIN COTTER 2.0X15



Ref #	Part Number	Qty	Description
1	54001-1025	1	CABLE,SPEEDOMETER
2	54005-1022	1	CABLE,FRONT BRAKE
3	92043-053	1	PIN BRAKE ROD
4	92015-041	1	NUT-BRAKE CABLE ADJST
5	54011-1020	1	CABLE,CLUTCH
6	54012-1060	1	CABLE,THROTTLE CNTRL
7	54018-024	1	CABLE,TACHOMETER
8	92037-093	1	CLAMP,CABLE

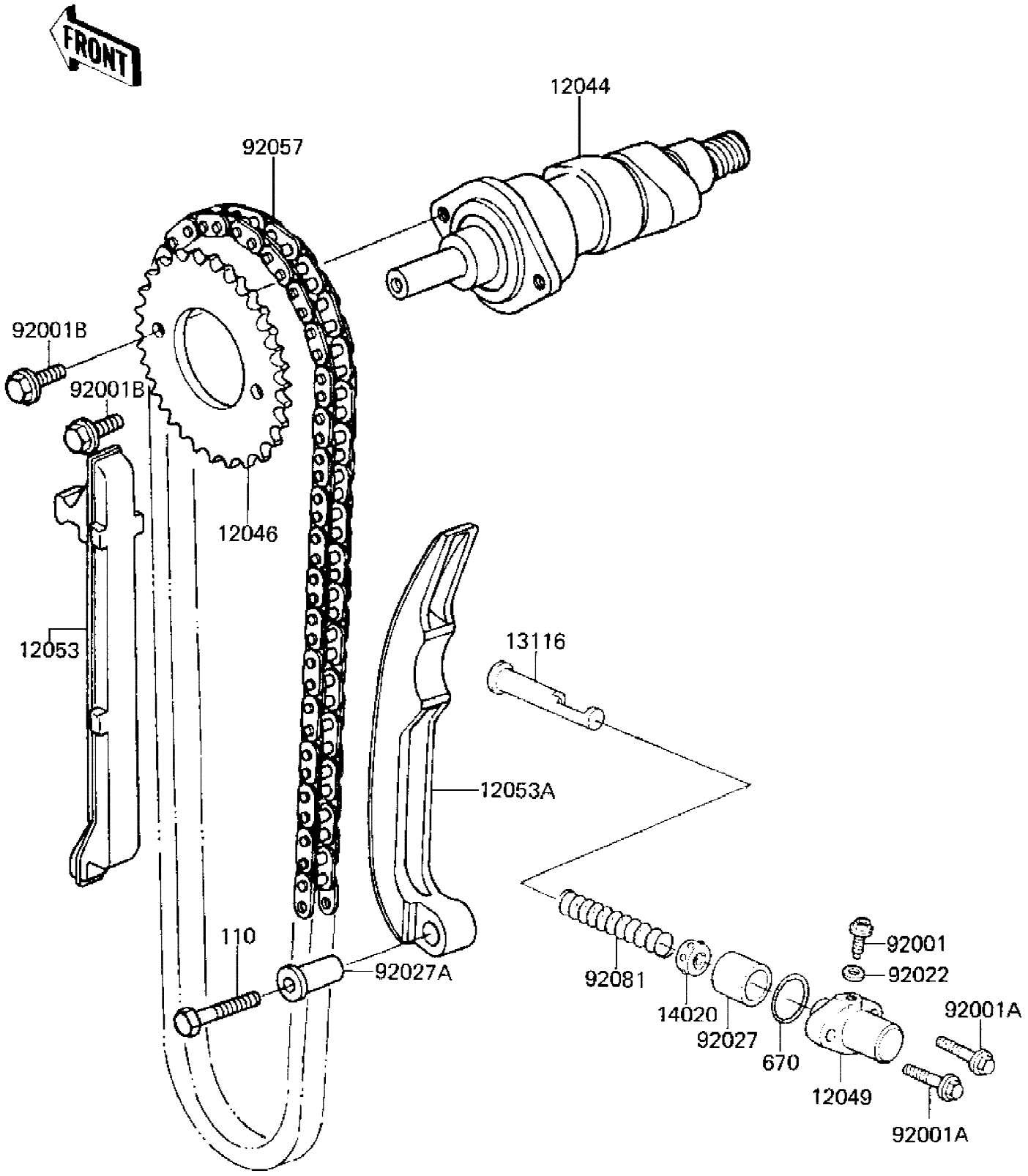
There is no diagram for this group. It has a parts list only. Press F11 to see the parts list.

Ref #	Part Number	Qty	Description
54001	54001-1025	1	CABLE,SPEEDOMETER
54005	54005-1022	1	CABLE,FRONT BRAKE
54011	54011-1020	1	CABLE,CLUTCH
54012	54012-1060	1	CABLE,THROTTLE CNTRL
54018	54018-024	1	CABLE,TACHOMETER
92015	92015-041	1	NUT-BRAKE CABLE ADJST
92037	92037-093	1	CLAMP,CABLE
92043	92043-053	1	PIN BRAKE ROD

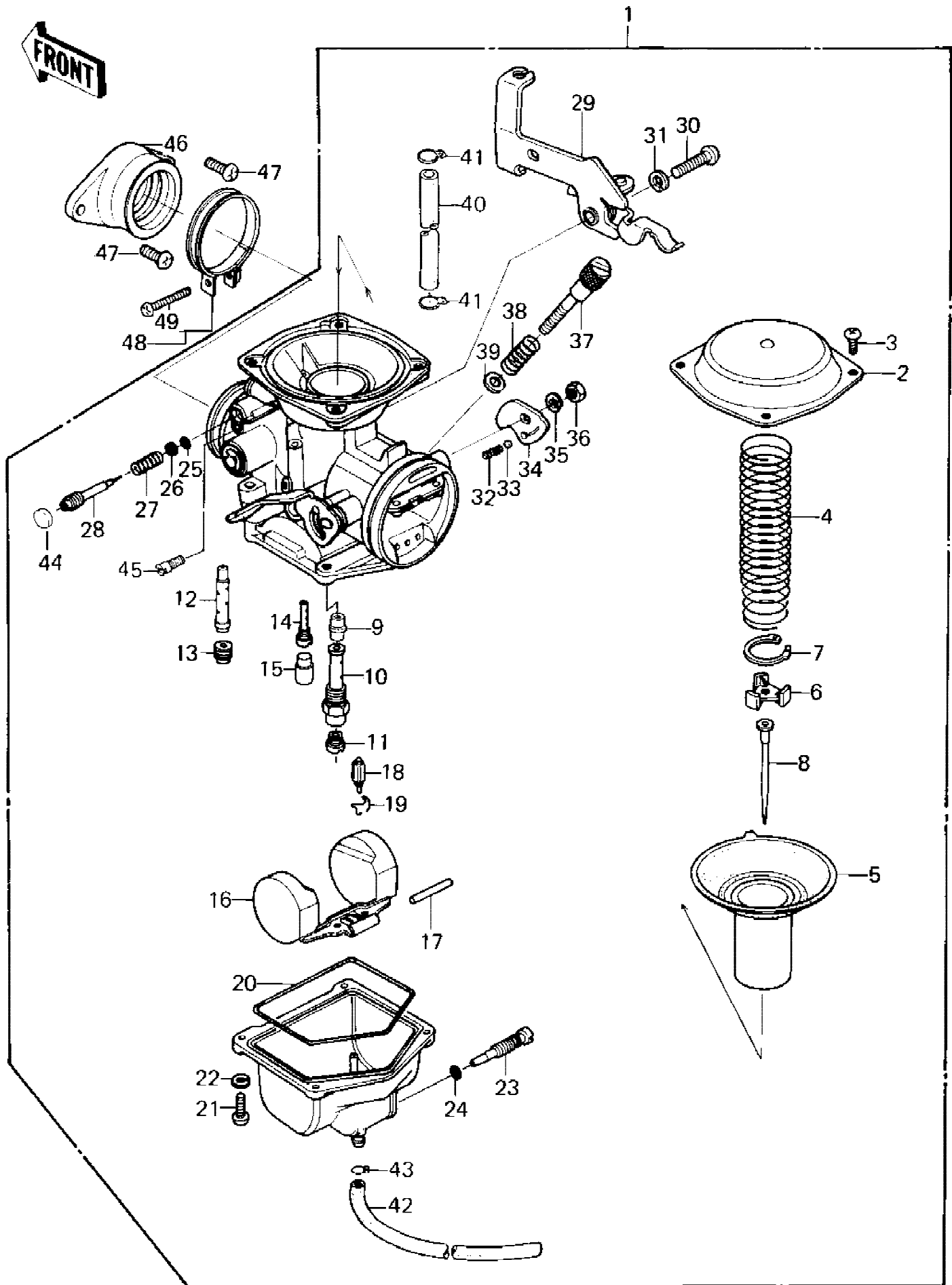


Ref #	Part Number	Qty	Description
1	112G0630	1	BOLT-UPSET
2	12044-1040	1	SHAFT,CAM
3	12046-1007	1	SPROCKET,CAM SHAFT
4	12053-023	1	SLIPER,CAM CHAIN
5	12053-024	1	SLIPER,CAM CHAIN
6	21070-013	1	CHAIN,CAM
7	12049-1055	1	TENSIONER,CAM CHAIN
8	13116-1019	1	ROD,PUSH,CAM CHAIN
9	14020-1002	1	RETAINER
10	670B2022	1	"O" RING,22MM
11	92001-1155	1	BELT,TENSIONER ADJUST
12	92022-077	1	WASHER OIL PUMP BANJO
13	92027-1273	1	COLLAR,TENSIONER
14	92081-1105	1	SPRING,TENSIONER
15	92003-208	2	BOLT,SPROCKET FITTING
16	92027-155	1	COLLAR
17	92001-1352	2	BOLT,FLANGED,6X22

E1230-0004

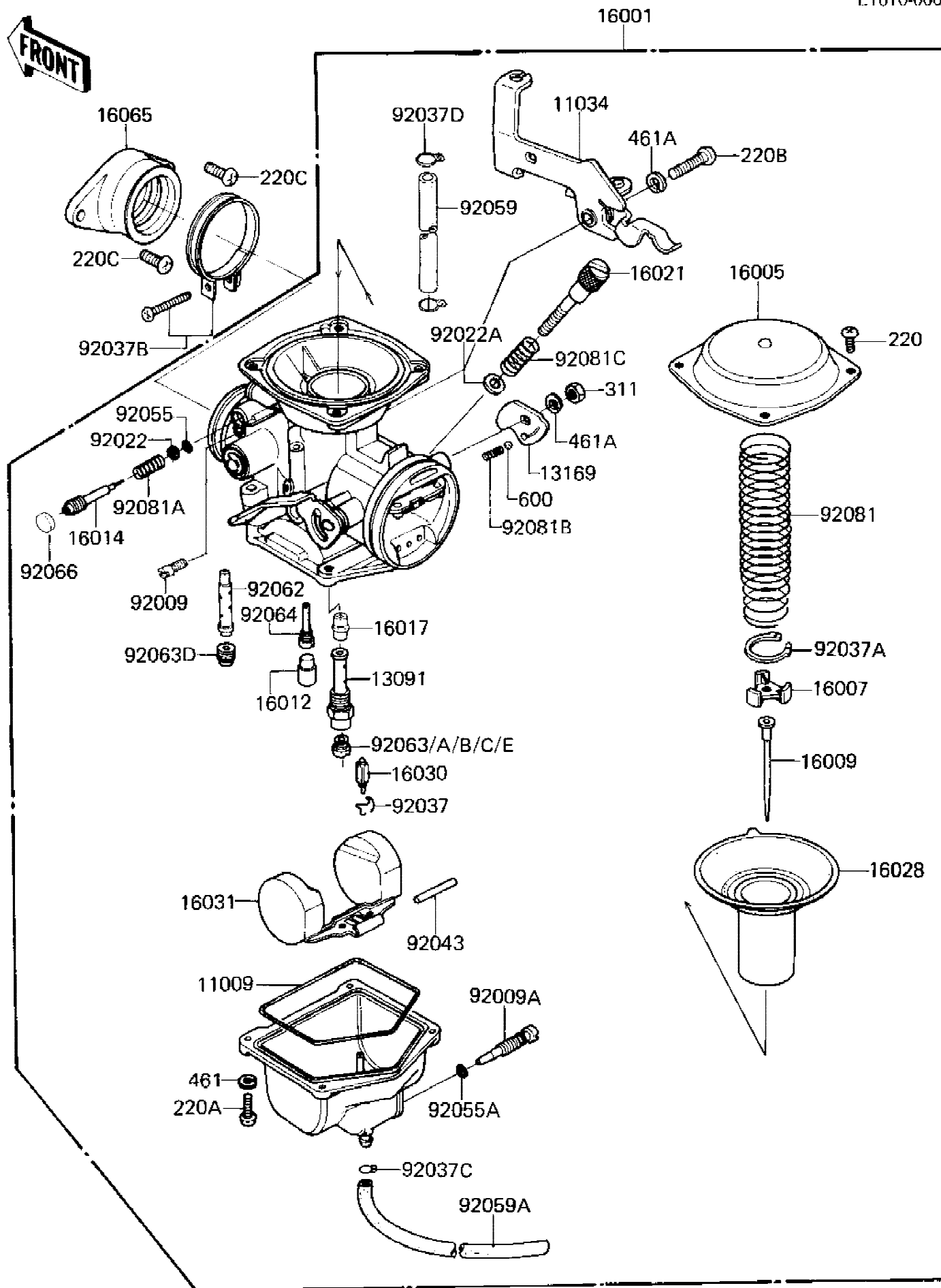


Ref #	Part Number	Qty	Description
12044	12044-1028	1	SHAFT,CAM
12046	12046-1007	1	SPROCKET,CAM SHAFT
12049	12049-1055	1	TENSIONER,CAM CHAIN
12053	12053-023	1	SLIPER,CAM CHAIN
12053A	12053-024	1	SLIPER,CAM CHAIN
13116	13116-1019	1	ROD,PUSH,CAM CHAIN
14020	14020-1002	1	RETAINER
92001	92001-1155	1	BELT,TENSIONER ADJUST
92001A	92001-1352	2	BOLT,FLANGED,6X22
92001B	92003-208	2	BOLT,SPROCKET FITTING
92022	92022-077	1	WASHER OIL PUMP BANJO
92027	92027-1273	1	COLLAR,TENSIONER
92027A	92027-155	1	COLLAR
92057	21070-013	1	CHAIN,CAM
92081	92081-1005	1	SPRING,THR.STOP SCREW
110	112G0630	1	BOLT-UPSET
670	670B2022	1	"O" RING,22MM

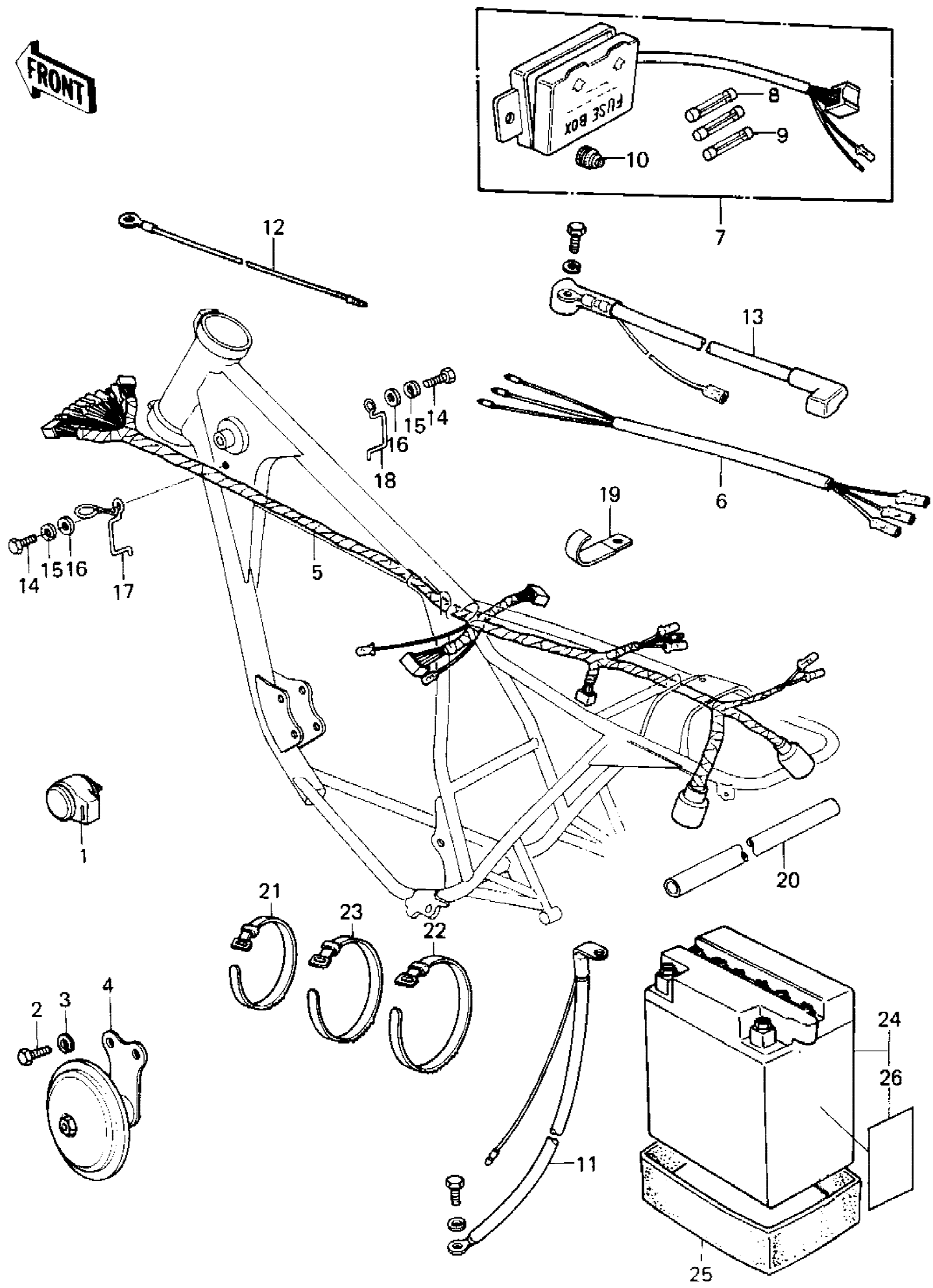


Ref #	Part Number	Qty	Description
1	16001-1160	1	CARBURETOR ASSY
2	16005-1001	1	TOP,MIXING CHAMBER
3	220B0408	4	SCREW PAN HEAD 4X8
4	92081-1001	1	SPRING
5	16126-1042	1	VACUUM,VALVE
6	16007-1001	1	COLLAR
7	92037-1005	1	CIRCLIP
8	16009-1054	1	JET NEEDLE,N05A
9	16017-1052	1	NEEDLE JET
10	13091-1050	1	HOLDER,NEEDLE JET
11	92063-1005	1	MAIN JET,#2ND,#98
11	92063-1004	1	MAIN JET,#92,2ND RACING USE ONLY
11	92063-1001	1	MAIN JET,2ND,#95 RACING USE ONLY
11	92063-1006	1	MAIN JET,2ND,#100 RACING USE ONLY
11	92063-1090	1	MAIN JET,2ND,#102 RACING USE ONLY
12	92062-1001	1	NOZZLE,MAIN
13	92063-1050	1	MAIN JET,PRI,#68
14	92064-1001	1	PILOT JET,#35
15	16012-1001	1	CAP,RUBBER
16	16031-1001	1	FLOAT
17	92043-1002	1	FLOAT PIN
18	16030-1007	1	FLOAT VALVE
19	16044-007	1	CLIP,FLOAT VALVE
20	16019-024	1	"O" RING,FLOAT BALL
21	220B0412	4	SCREW-PAN-CRSOSS,4X12
22	461F0400	4	WASHER SPRING 4MM
23	92009-1095	1	SCREW,DRAIN
24	92055-1053	1	"O" RING,DRAIN SCREW
25	92055-1002	1	O RING,PILOT ADJ
26	92022-1003	1	WASHER,PLAIN
27	92081-1002	1	SPRING,PIROT ADJ SCRW
28	16014-1029	1	SCREW,PILOT ADJUST
29	11034-1826	1	PLATE,STAY
30	220B0525	1	SCREW-PAN-CROS,5X25
31	461F0500	1	WASHER SPRING 5MM
32	92081-1004	1	SPRING
33	600A0400	1	BALL,STEEL,1/8"
34	13169-1303	1	CAM,CHOKE LINK
35	461F0500	1	WASHER SPRING 5MM
36	311B0500	1	NUT,5MM
37	16021-1031	1	SCREW,THROTTLE STOP
38	92081-1062	1	SPRING,STOP SCREW
39	92022-1209	1	WASHER,PLAIN
40	92059-1001	1	HOSE,FUEL INLET
41	92037-1682	2	CLAMP,TUBE
42	92059-1046	1	HOSE,FUEL OVERFLOW
43	92037-1142	1	CLAMP,TUBE,OVERFLOW
44	92066-1051	1	PLUG,PILOT SCREW
45	92009-1004	1	SCREW,PLUG
46	16065-1028	1	HOLDER,CARBURETOR
47	220B0614	2	SCREW PAN HEAD 6X14
48	92037-1021	1	CLAMP,CARBURETOR
49	220B0530	1	SCREW PAN HEAD 5X30

E1610-0002



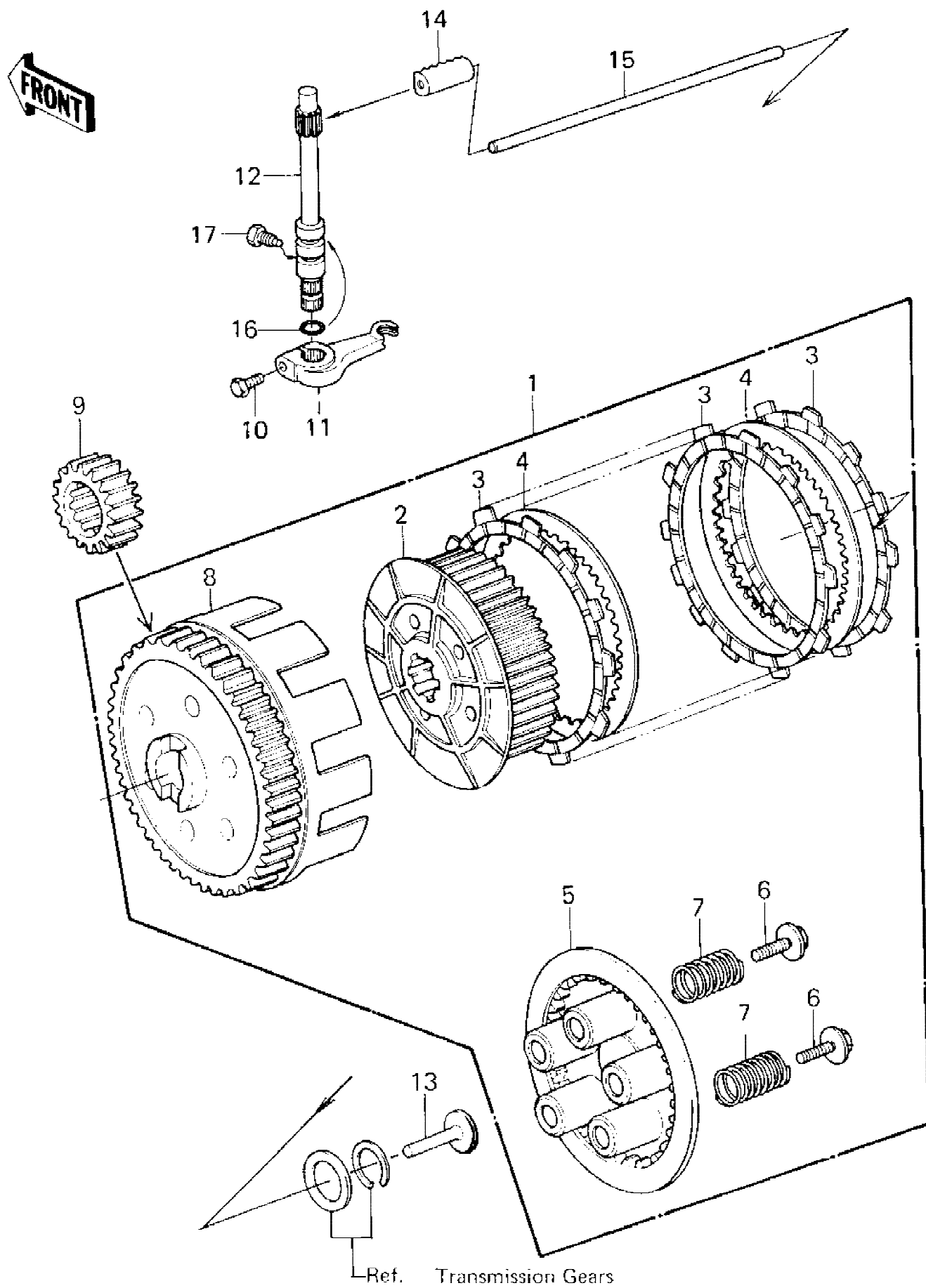
Ref #	Part Number	Qty	Description
11009	16019-024	1	"O" RING,FLOAT BALL
11034	11034-1826	1	PLATE,STAY
13091	13091-1050	1	HOLDER,NEEDLE JET
13169	13169-1303	1	CAM,CHOKE LINK
16001	16001-1160	1	CARBURETOR ASSY
16005	16005-1001	1	TOP,MIXING CHAMBER
16007	16007-1001	1	COLLAR
16009	16009-1054	1	JET NEEDLE,N05A
16012	16012-1001	1	CAP,RUBBER
16014	16014-1029	1	SCREW,PILOT ADJUST
16017	16017-1052	1	NEEDLE JET
16021	16021-1031	1	SCREW,THROTTLE STOP
16028	16126-1042	1	VACUUM,VALVE
16030	16030-1007	1	FLOAT VALVE
16031	16031-1001	1	FLOAT
16065	16065-1028	1	HOLDER,CARBURETOR
92009	92009-1004	1	SCREW,PLUG
92009A	92009-1095	1	SCREW,DRAIN
92022	92022-1003	1	WASHER,PLAIN
92022A	92022-1209	1	WASHER,PLAIN
92037	16044-007	1	CLIP,FLOAT VALVE
92037A	92037-1005	1	CIRCLIP
92037B	92037-1021	1	CLAMP,CARBURETOR
92037C	92037-1142	1	CLAMP,TUBE,OVERFLOW
92037D	92037-1682	2	CLAMP,TUBE
92043	92043-1002	1	FLOAT PIN
92055	92055-1002	1	O RING,PILOT ADJ
92055A	92055-1053	1	"O" RING,DRAIN SCREW
92059	92059-1001	1	HOSE,FUEL INLET
92059A	92059-1046	1	HOSE,FUEL OVERFLOW
92062	92062-1001	1	NOZZLE,MAIN
92063	92063-1001	1	MAIN JET,2ND,#95 (RACING USE ONLY)
92063A	92063-1004	1	MAIN JET,#92,2ND (RACING USE ONLY)
92063B	92063-1005	1	MAIN JET,#2ND,#98
92063C	92063-1008	1	MAIN JET,#100 (RACING USE ONLY)
92063D	92063-1050	1	MAIN JET,PRI,#68
92063E	92063-1090	1	MAIN JET,2ND,#102 (RACING USE ONLY)
92064	92064-1001	1	PILOT JET,#35
92066	92066-1051	1	PLUG,PILOT SCREW
92081	92081-1001	1	SPRING
92081A	92081-1002	1	SPRING,PIROT ADJ SCRW
92081B	92081-1004	1	SPRING
92081C	92081-1062	1	SPRING,STOP SCREW
220	220B0408	4	SCREW PAN HEAD 4X8
220A	220B0412	4	SCREW-PAN-CRSOSS,4X12
220B	220B0520	1	SCREW PAN HEAD 5X20
220C	220B0614	2	SCREW PAN HEAD 6X14
311	311B0500	1	NUT,5MM
461	461F0400	4	WASHER SPRING 4MM
461A	461F0500	2	WASHER SPRING 5MM
600	600A0400	1	BALL,STEEL,1/8"



Ref #	Part Number	Qty	Description
1	27002-011	1	RELAY-TURN SIGNAL
2	112G0612	2	BOLT-UPSET,6X12
3	461F0600	2	WASHER SPRING 6MM
4	27003-1348	1	HORN
5	26001-1129	1	WIRING HARNESS,MAIN
6	26002-041	1	WIRING HARNESS,REAR
7	26004-035	1	FUSE ASSY
8	26006-005	2	FUSE-20A
9	26006-003	3	FUSE 10A
10	92075-279	1	DAMPER RUBBER,FUSE
11	26010-052	1	WIRE,BATTERY GROUND
12	26011-095	1	WIRE,LEAD
13	26011-1035	1	WIRE,MAGNETIC SWITCH
14	112G0612	2	BOLT-UPSET,6X12
15	461F0600	2	WASHER SPRING 6MM
16	411B0600	2	WASHER PLAIN 6MM
17	92037-202	1	CLAMP
18	92037-203	1	CLAMP
19	92037-113	2	CLAMP,HARNESS
20	92059-1150	2	TUBE,P.V.C,8X9X200
21	92072-030	6	BAND,SHORT
22	92072-032	1	BAND,LONG
23	92072-056	1	BAND,WIRING HARNESS
24	26012-1035	1	YUA BAT 12N10-3A-2 YUASA (12N10-3A)
25	92072-1020	1	BAND,BATTERY
26	56022-157	1	LABEL, BATTERY CAUSON

There is no diagram for this group. It has a parts list only. Press F11 to see the parts list.

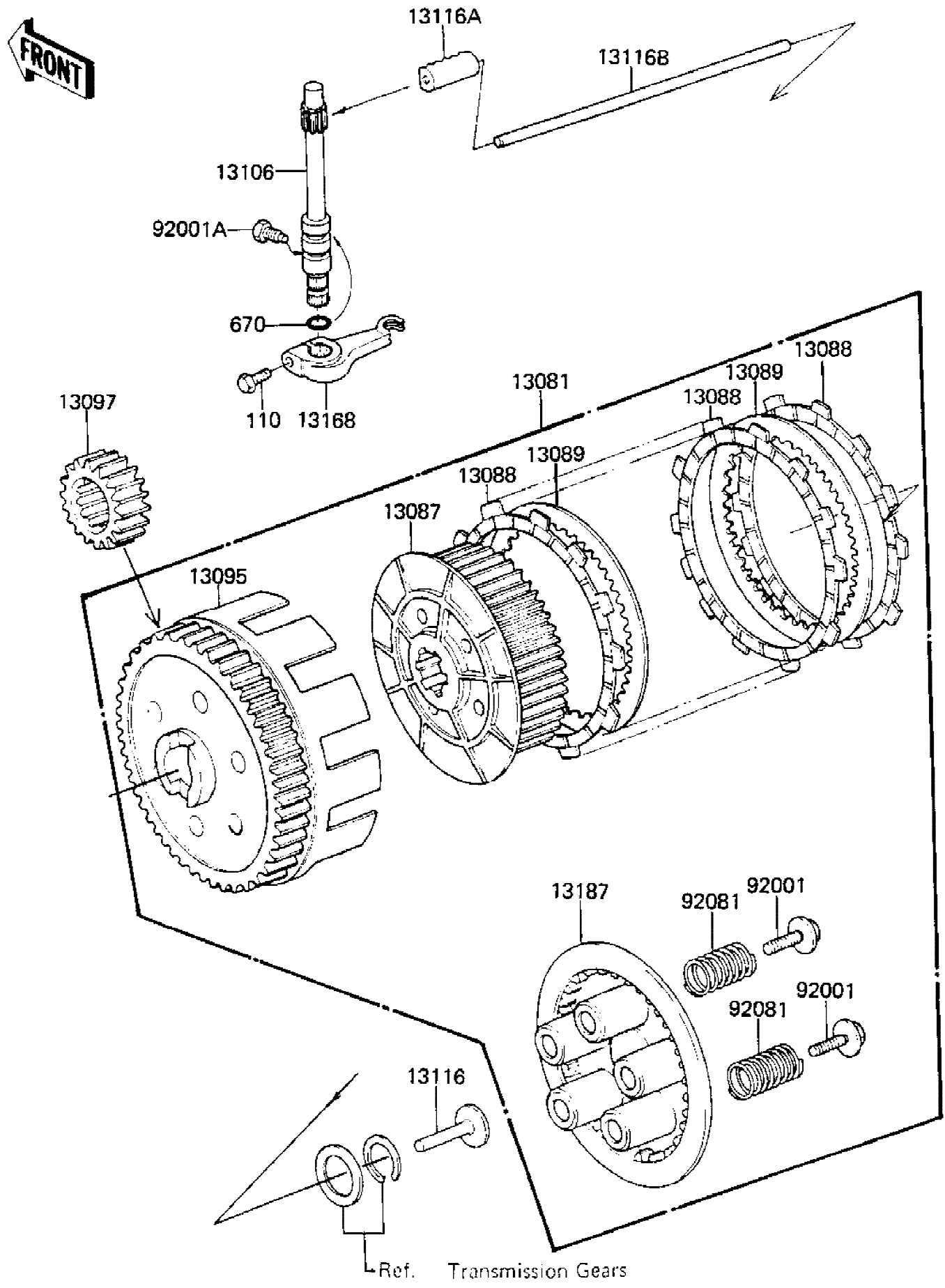
Ref #	Part Number	Qty	Description
26001	26001-1385	1	HARNESSE,MAIN
26001A	26002-041	1	WIRING HARNESSE,REAR
26004	26004-035	1	FUSE ASSY
26006	26006-003	3	FUSE 10A
26006A	26006-005	2	FUSE-20A
26011	26010-052	1	WIRE,BATTERY GROUND
26011A	26011-063	1	LEAD WIRE,SIGNAL LAMP
26011B	26011-095	2	WIRE,LEAD
26011C	26011-1035	1	WIRE,MAGNETIC SWITCH
26012	26012-1035	1	YUA BAT 12N10-3A-2
27002	27002-011	1	RELAY-TURN SIGNAL
27003	27003-1348	1	HORN
56037	56040-1036	1	LABEL-WARNING,BATTERY
92037	92037-113	2	CLAMP,HARNESSE
92037A	92037-202	1	CLAMP
92037B	92037-203	1	CLAMP
92059	92059-1150	2	TUBE,P.V.C,8X9X200
92072	92072-030	6	BAND,SHORT
92072A	92072-032	1	BAND,LONG
92072B	92072-056	1	BAND,WIRING HARNESSE
92072C	92072-1020	1	BAND,BATTERY
92075	92075-279	1	DAMPER RUBBER,FUSE
1110	112G0612	4	BOLT-UPSET,6X12
411	411B0600	2	WASHER PLAIN 6MM
461	461F0600	4	WASHER SPRING 6MM



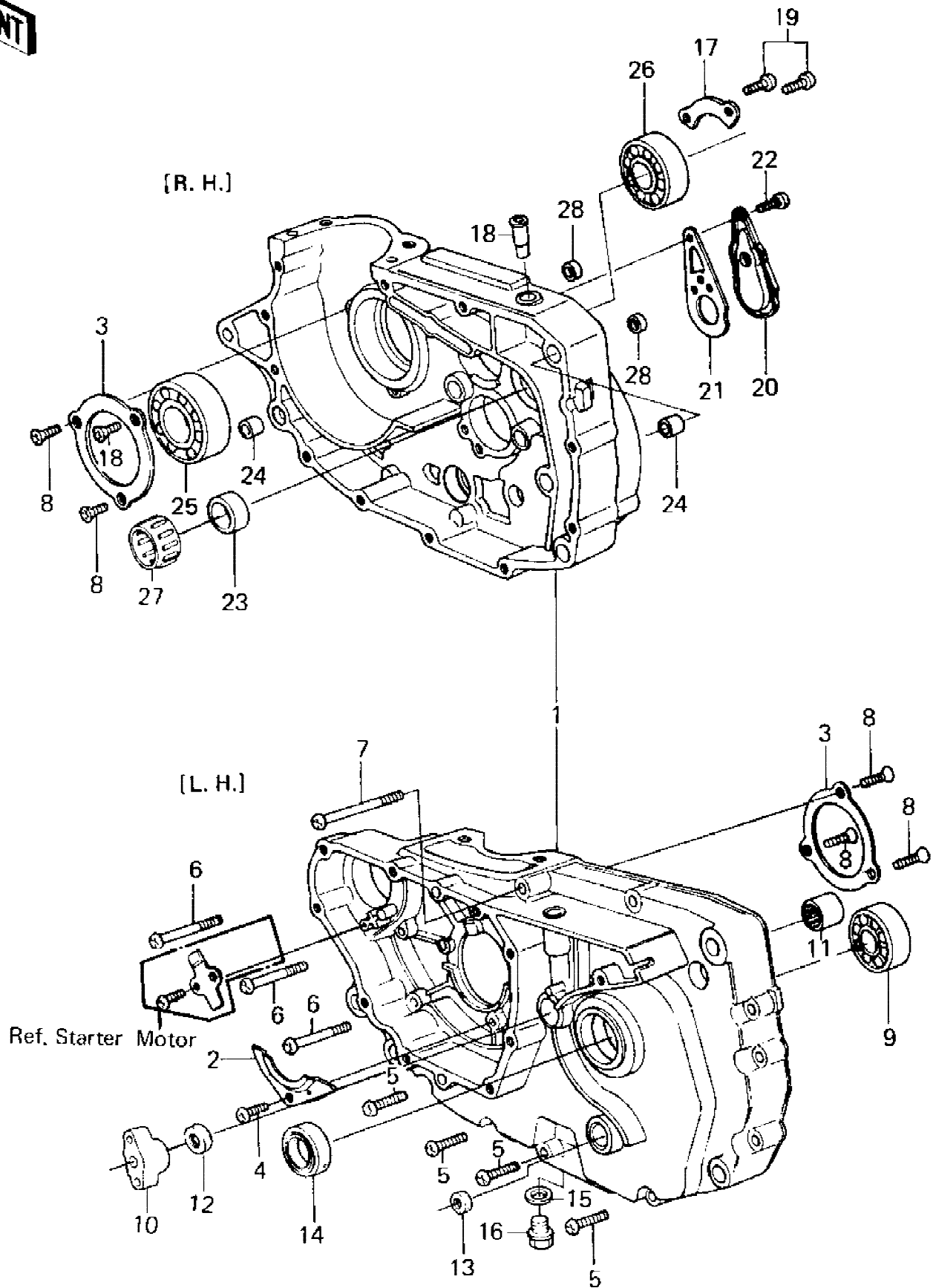
Ref. Transmission Gears

Ref #	Part Number	Qty	Description
1	13081-1046	1	CLUTCH-ASSY
2	13087-1001	1	HUB,CLUTCH
3	13088-1008	7	PLATE,CLUTCH FRICTION
4	13089-013	6	PLATE CLUTCH STEEL
5	13187-1005	1	PLATE,CLUTCH OPERATNG
6	92001-1066	5	BOLT,CLUTCH SPR FITT
7	92081-083	5	SPRING-CLUTCH
8	13095-1015	1	HOUSING,CLUTCH
9	13121-035	1	GEAR,PRIMARY
10	112G0618	1	BOLT-UPSET
11	13116-016	1	PUSHER-CLTCH SPRG PLT
12	13106-006	1	SHAFT,CLUTCH RELEASE
13	13116-016	1	PUSHER-CLTCH SPRG PLT
14	13116-1040	1	ROD,CLUTCH PUSH
15	13116-1002	1	ROD,CLUTCH PUSH,LONG
16	670B2010	1	"O" RING, 10MM
17	92003-130	1	BOLT,CLUTCH RELEASE

E1350-0004



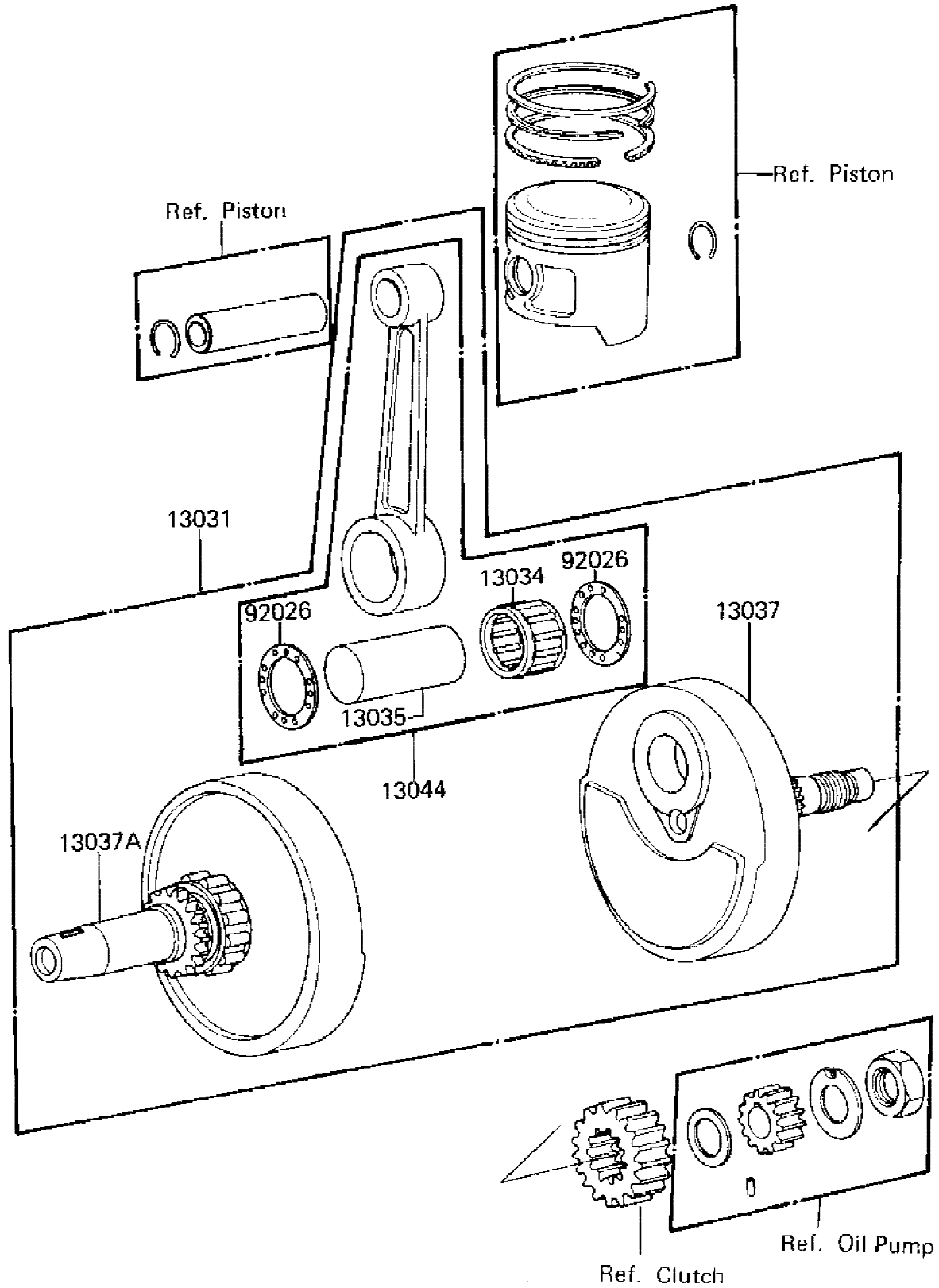
Ref #	Part Number	Qty	Description
13081	13081-1046	1	CLUTCH-ASSY
13087	13087-1001	1	HUB,CLUTCH
13088	13088-1008	7	PLATE,CLUTCH FRICTION
13089	13089-013	6	PLATE CLUTCH STEEL
13095	13095-1015	1	HOUSING,CLUTCH
13097	13121-035	1	GEAR,PRIMARY
13106	13106-006	1	SHAFT,CLUTCH RELEASE
13116	13116-016	1	PUSHER-CLTCH SPRG PLT
13116A	13116-1040	1	ROD,CLUTCH PUSH
13116B	13116-1002	1	ROD,CLUTCH PUSH,LONG
13168	13103-028	1	LEVER,CLUTCH RELEASE
13187	13187-1005	1	PLATE,CLUTCH OPERATNG
92001	92001-1066	5	BOLT,CLUTCH SPR FITT
92001A	92003-130	1	BOLT,CLUTCH RELEASE
92081	92081-083	5	SPRING-CLUTCH
110	112G0618	1	BOLT-UPSET
670	670B2010	1	"0" RING, 10MM



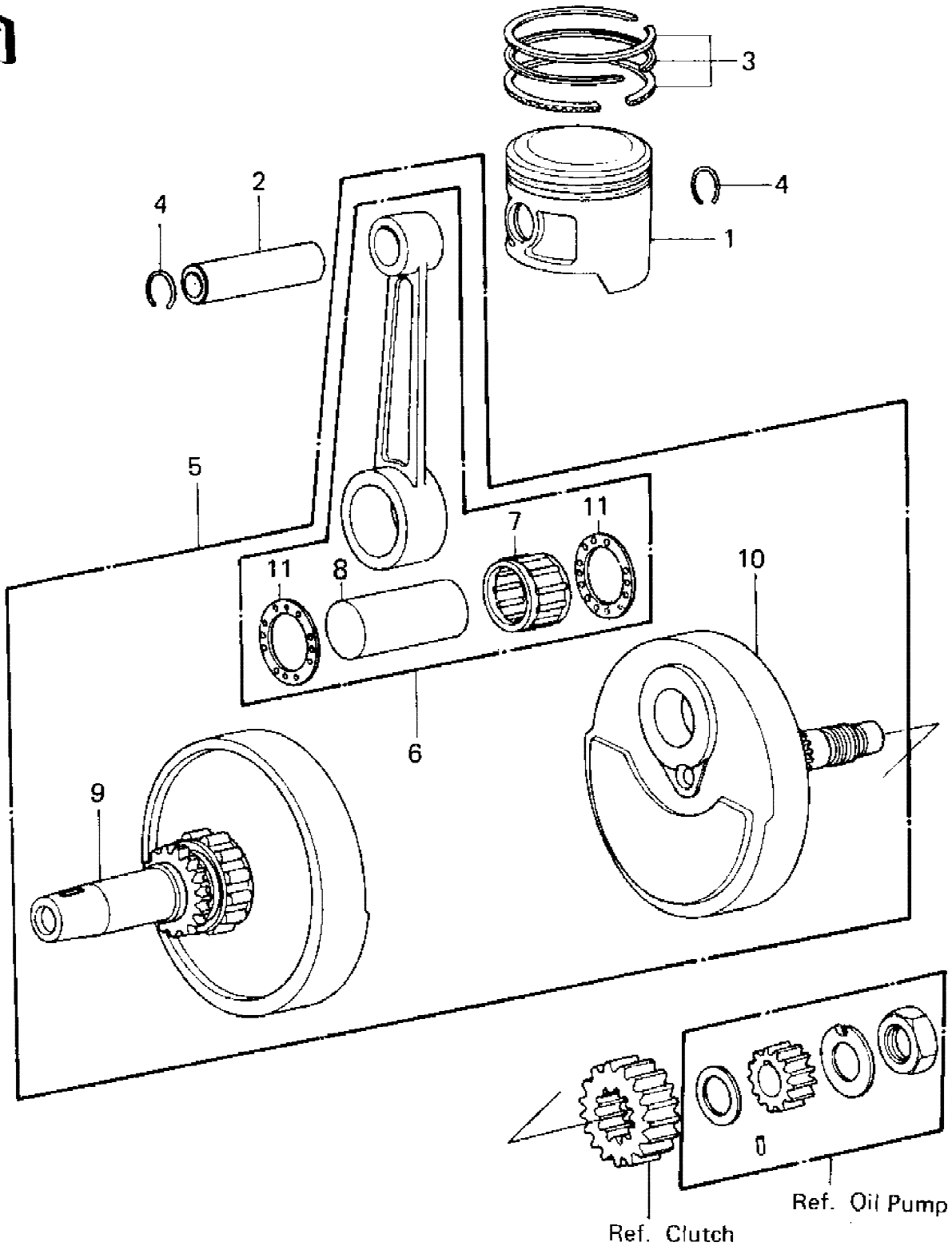
Ref #	Part Number	Qty	Description
1	14001-5083	1	SET-CRANKCASE
2	14014-035	1	PLATE,POSITIONING
3	14014-1004	2	PLATE,POSITIONING
4	220B0614	1	SCREW PAN HEAD 6X14
5	220B0630	8	SCREW PAN HEAD 6X30
6	220B0655	3	SCREW PAN HEAD 6X55
7	220B0675	1	SCREW PAN HEAD 6X75
8	221B0616	6	SCREW CNTSNK HD 6X16
9	601B6205	1	BEARING BALL #6205
10	92027-1467	1	COLLAR,PUSH ROD
11	92046-060	1	BRG,NEEDLE,HMK1515B
12	92050-077	1	OIL SEAL,PUSH ROD
13	92050-082	1	OIL SEAL,CHANGE SHAFT
14	92049-1159	1	SEAL-OIL,TC32457
15	92065-097	1	GASKET,DRIN PLUG
16	92066-1174	1	PLUG,OIL DRAIN,12X15
17	14014-037	1	PLATE,POSITIONING
18	14067-006	1	BREATHER JOINT
19	220B0614	2	SCREW PAN HEAD 6X14
20	16078-002	1	CAP
21	16079-002	1	GASKET
22	220B0614	1	SCREW PAN HEAD 6X14
23	92028-132	1	BUSHING
24	92042-032	2	PIN,DOWEL,14MM
25	92045-037	1	BEARING,BALL,#6306
26	92045-038	1	BEARING,BALL#6006
27	92046-1184	1	BEARING-NEEDLE KT172314
28	92066-1282	2	PLUG

Ref #	Part Number	Qty	Description
11009	16079-002	1	GASKET
11009A	92065-097	1	GASKET,DRIN PLUG
11012	16078-002	1	CAP
14001	14001-5083	1	SET-CRANKCASE
14014	14014-035	1	PLATE,POSITIONING
14014A	14014-037	1	PLATE,POSITIONING
14014B	14014-1004	2	PLATE,POSITIONING
92005	14067-006	1	BREATHER JOINT
92027	92027-1467	1	COLLAR,PUSH ROD
92028	92028-132	1	BUSHING
92043	92042-032	2	PIN,DOWEL,14MM
92045	92045-037	1	BEARING,BALL,#6306
92045A	92045-038	1	BEARING,BALL#6006
92046	92046-1184	1	BEARING-NEEDLE
92046A	92046-060	1	BRG,NEEDLE,HMK1515B
92049	92050-077	1	OIL SEAL,PUSH ROD
92049A	92050-082	1	OIL SEAL,CHANGE SHAFT
92049B	92049-1159	1	SEAL-OIL,TC32457
92066	92066-1174	1	PLUG,OIL DRAIN,12X15
92066A	92066-1282	2	PLUG
220	220B0614	4	SCREW PAN HEAD 6X14
220A	220B0630	8	SCREW PAN HEAD 6X30
220B	220B0655	3	SCREW PAN HEAD 6X55
220C	220B0675	1	SCREW PAN HEAD 6X75
221	221B0616	6	SCREW CNTSNK HD 6X16
601	601B6205	1	BEARING BALL #6205

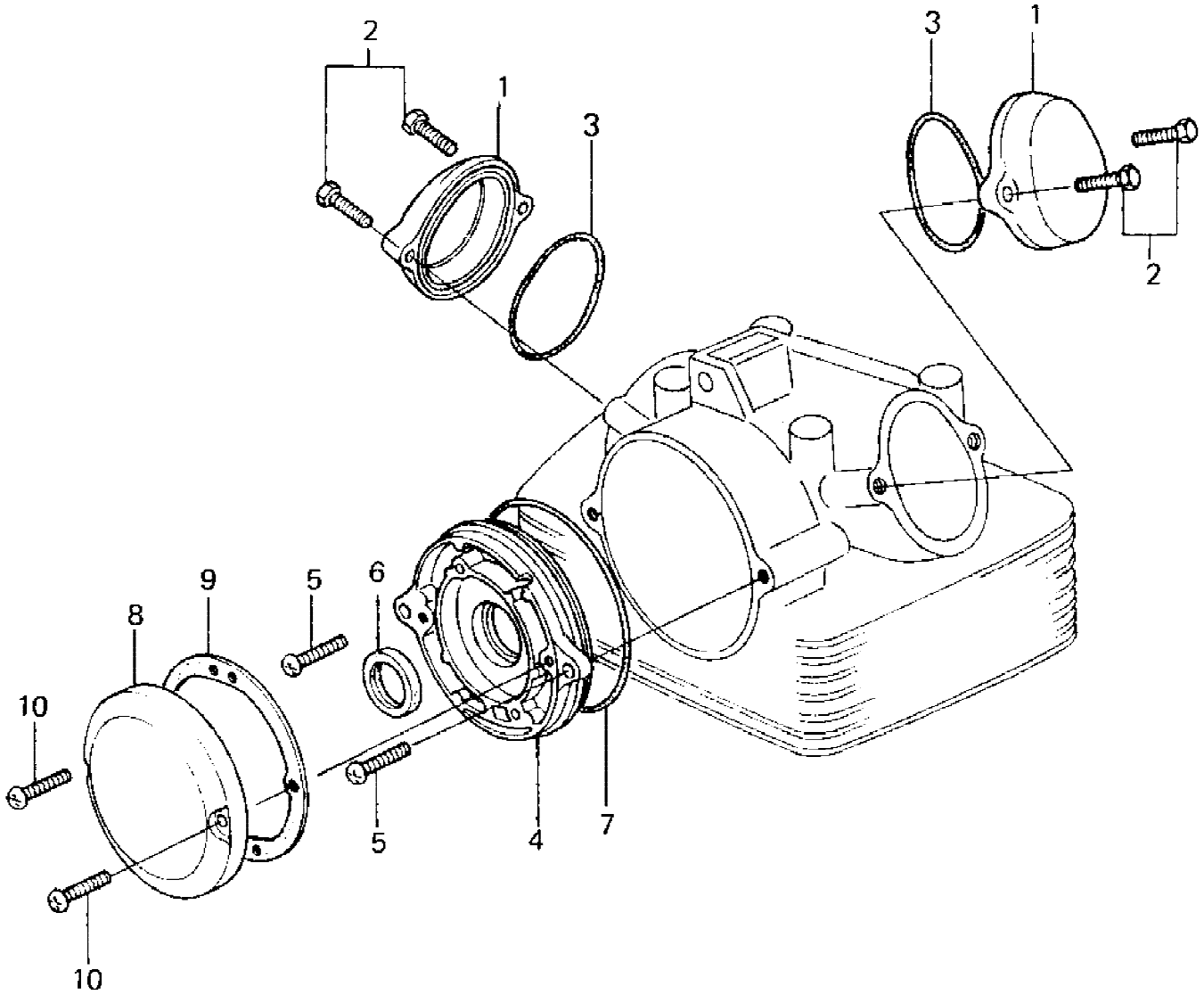
E1320-0004



Ref #	Part Number	Qty	Description
13031	13031-1029	1	CRANK & CONROD ASSY
13034	13034-031	1	BRG,NEEDLE PK293921.4
13035	13035-035	1	PIN,CRANK
13037	13037-1064	1	CRANKSHAFT,R.H
13037A	13037-5003	1	CRANKSHAFT,L.H
13044	13044-5005	1	CONNECTING ROD SET
92026	92026-087	2	SPACER,CONNECTING ROD

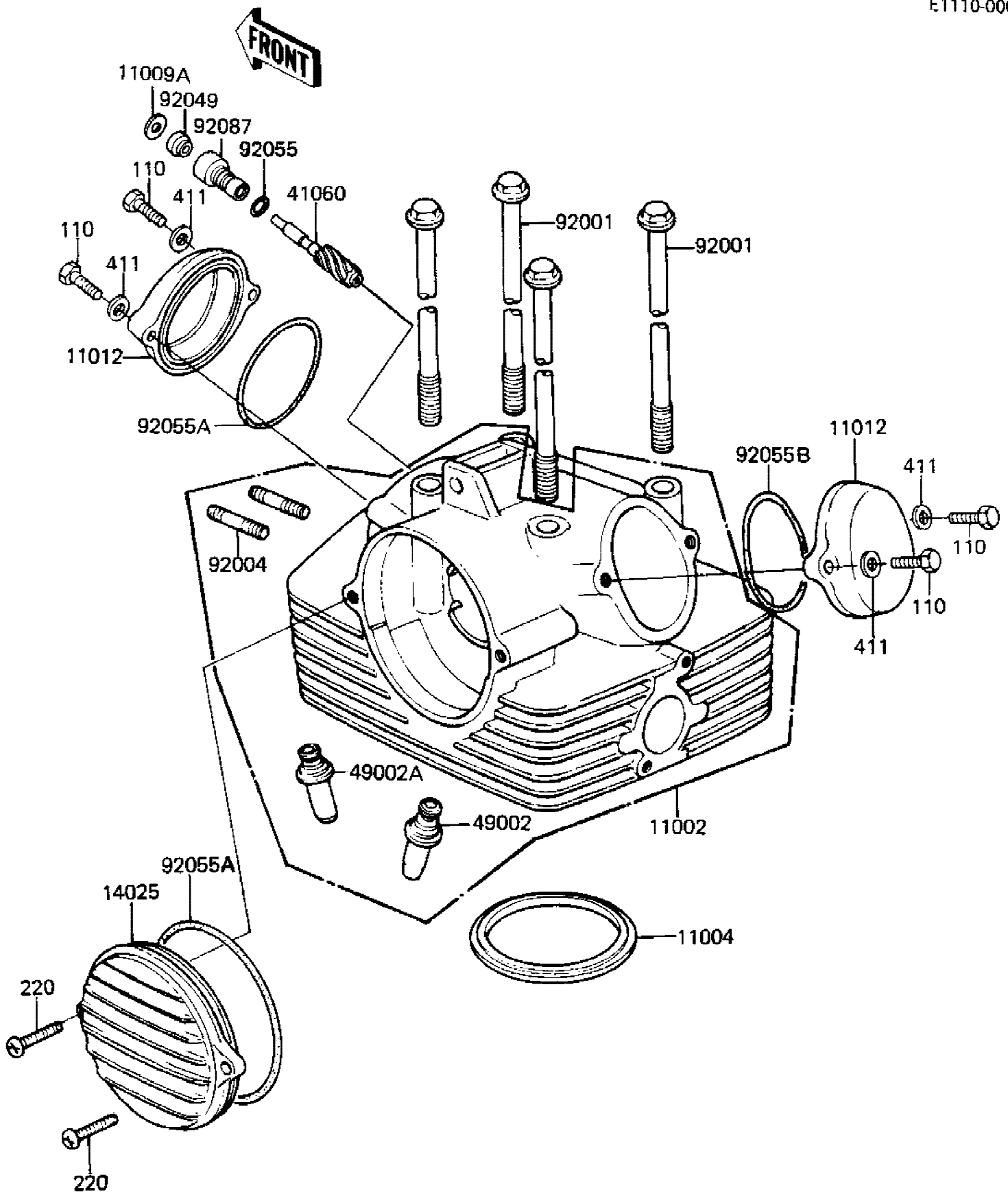


Ref #	Part Number	Qty	Description
1	13001-1037	1	PISTON,S.T.D
1	13029-1003	1	PISTON,0.020 O/S
1	13027-1005	1	PISTON,0.040 O/S
2	13002-1013	1	PIN-PISTON
3	13008-5012	1	RING SET,STD
3	13025-5007	1	RING SET,0.020"O/S
3	13024-5008	1	RING SET,0.040"O/S
4	92036-021	2	CIRCLIP,PISTON PIN
5	13031-1029	1	CRANK & CONROD ASSY
6	13044-5005	1	CONNECTING ROD SET
7	13034-031	1	BRG,NEEDLE PK293921.4
8	13035-035	1	PIN,CRANK
9	13037-5003	1	CRANKSHAFT,L.H
10	13037-1064	1	CRANKSHAFT,R.H
11	92026-087	2	SPACER,CONNECTING ROD

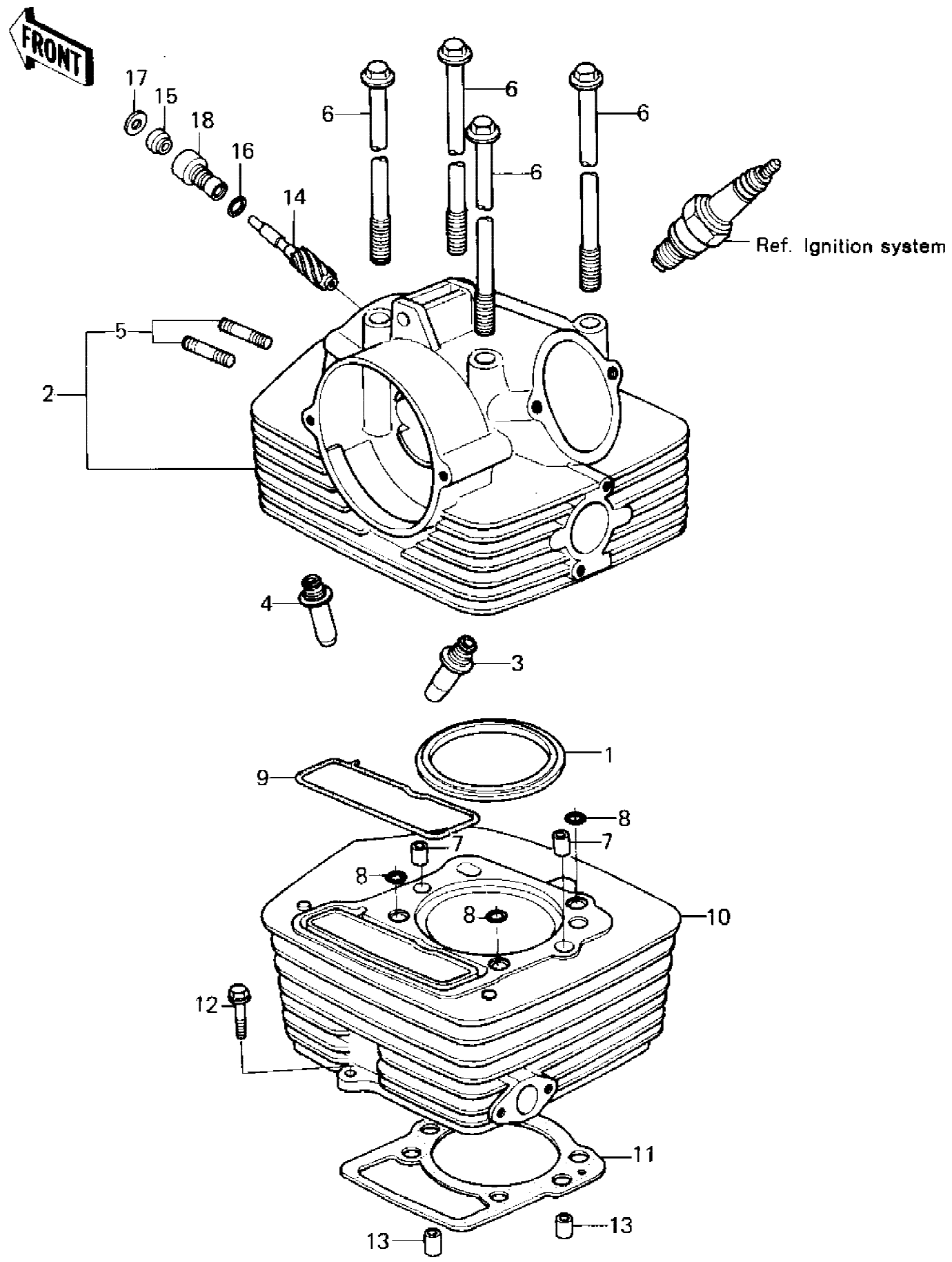


Ref #	Part Number	Qty	Description
1	11027-004-2H	2	CAP,ROCKER ARM BARREL
2	130G0625	4	BOLT,FLANGED,6X25
3	92055-112	2	"O" RING,53.5MM
4	21136-010	1	COVER,CONTACT BREAKER
5	220B0625	2	SCREW PAN HEAD 6X25
6	92050-079	1	OIL SEAL
7	92055-107	1	"O" RING,99M/M
8	14027-022-2H	1	CAP,CONTACT BREAKER BARREL
9	14050-012	1	GASKET,CONTACT BREAKR
10	220B0625	2	SCREW PAN HEAD 6X25

E1110-0003

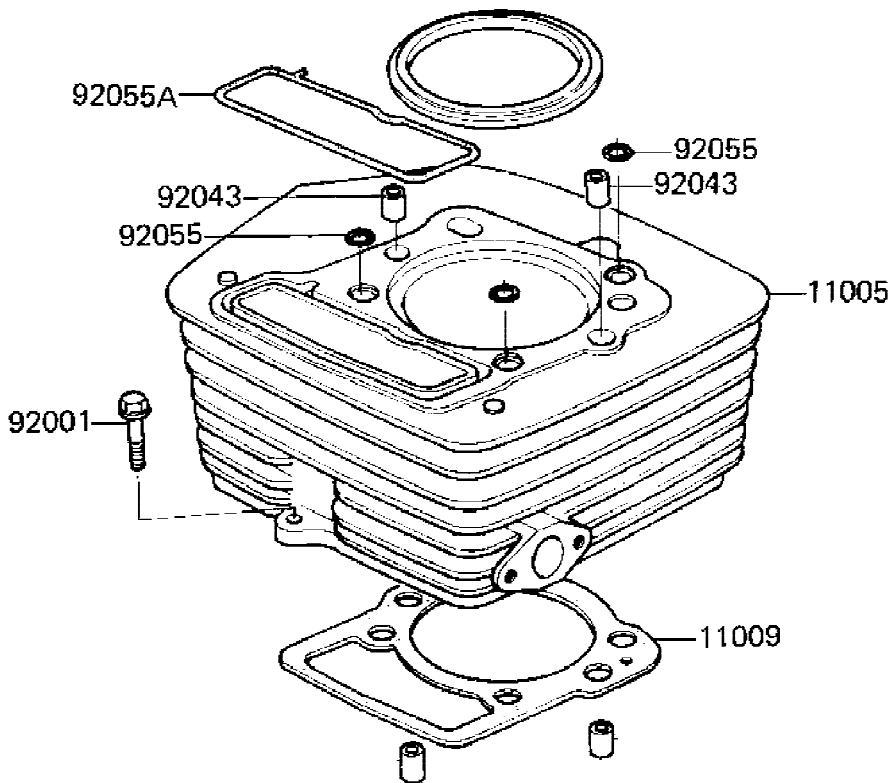
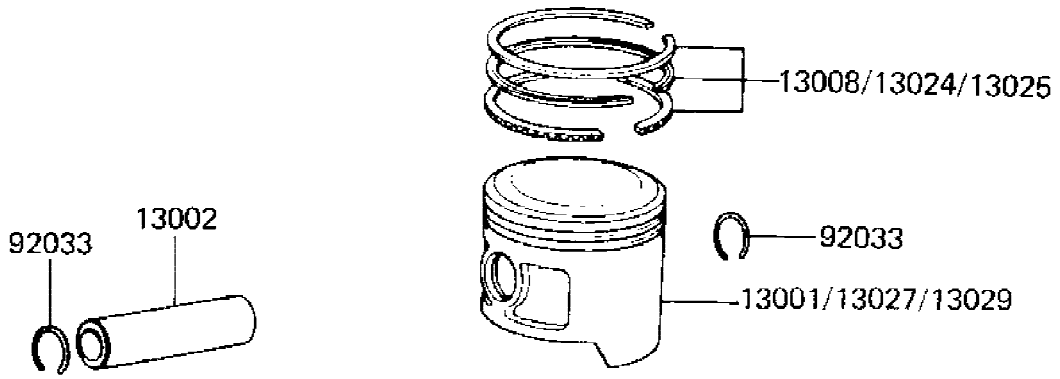


Ref #	Part Number	Qty	Description
11002	11002-5013	1	CYLINDER HEAD
11004	11004-1002	1	GASKET,CYLINDER HEAD
11009	92065-104	1	GASKET,TACHO GEAR
11012	11027-004-2H	2	CAP,ROCKER ARM
14025	14025-1276	1	COVER,CAM
41060	13223-012	1	GEAR,TACHOMETER
49002	12013-003	1	GUIDE,INLET VALVE
49002A	49002-1010	1	GUIDE,EXHAUST VALVE
92001	92003-220	4	BOLT,8X233
92004	92004-1069	2	STUD,8X30
92049	92050-075	1	OIL SEAL
92055	92055-1149	1	RING-O,10MM
92055A	92055-107	1	"O" RING,99M/M
92055B	92055-112	2	"O" RING,53.5MM
92087	92087-011	1	GUIDE,TACHOMETER GEAR
110	112G0625	4	BOLT-UPSET
220	220B0625	2	SCREW PAN HEAD 6X25
411	411B0600	4	WASHER PLAIN 6MM

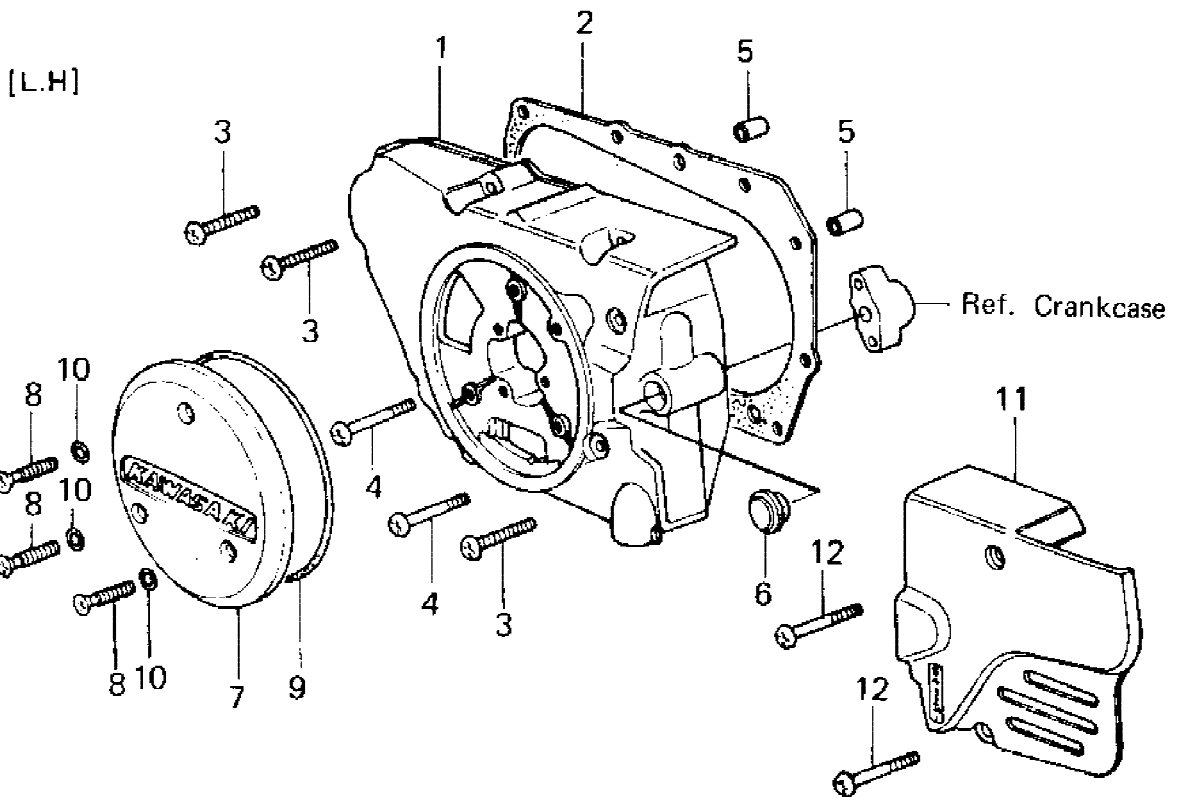
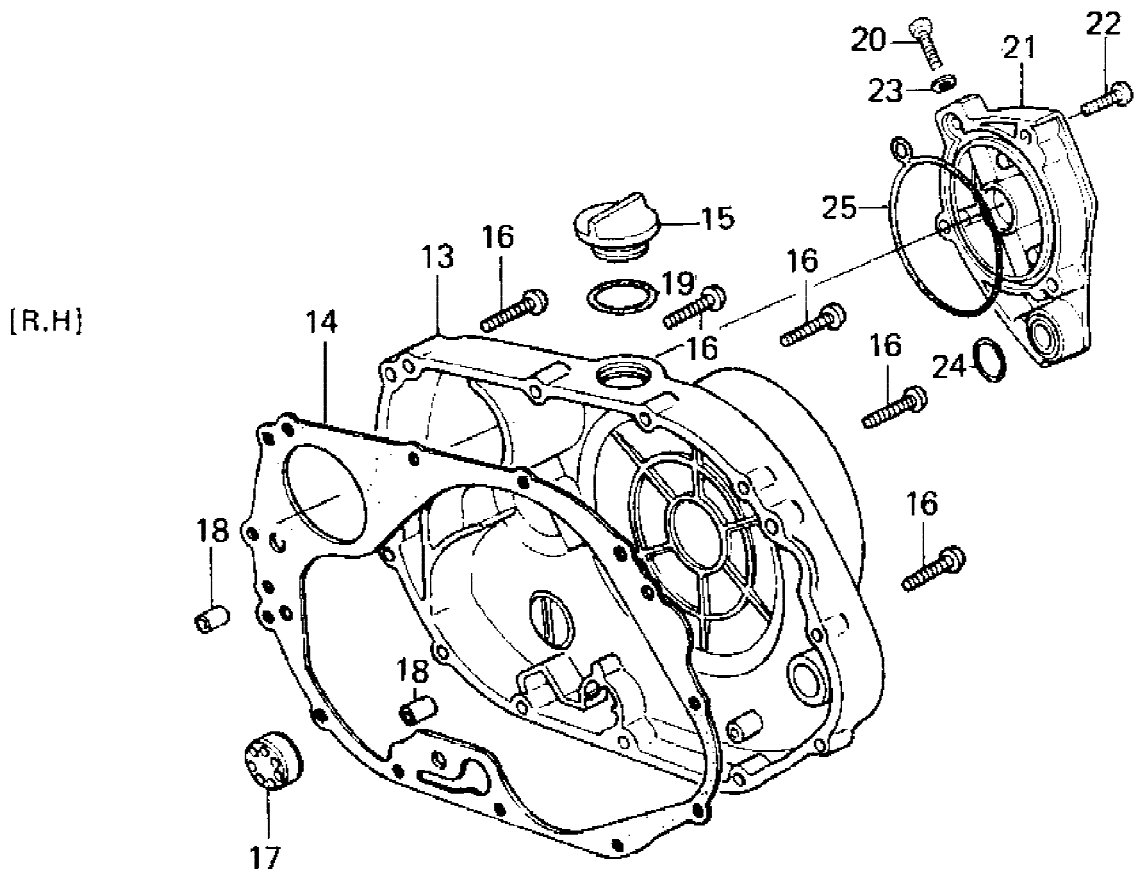


Ref #	Part Number	Qty	Description
1	11004-1002	1	GASKET,CYLINDER HEAD
2	11002-5013	1	CYLINDER HEAD
3	12013-003	1	GUIDE,INLET VALVE
4	49002-1010	1	GUIDE,EXHAUST VALVE
5	92004-1069	2	STUD,8X30
6	92003-220	4	BOLT,8X233
7	92043-1037	2	PIN,DOWEL,10X8.2X14
8	92055-1149	3	RING-O,10MM
9	92055-105	1	"O" RING
10	11006-1005	1	CYLINDER,
11	11009-043	1	GASKET,CYLINDER BASE
12	92003-202	1	BOLT
13	92043-1037	2	PIN,DOWEL,10X8.2X14
14	13223-012	1	GEAR,TACHOMETER
15	92050-075	1	OIL SEAL
16	92055-1149	1	RING-O,10MM
17	92065-104	1	GASKET,TACHO GEAR
18	92087-011	1	GUIDE,TACHOMETER GEAR

E1120-0004



Ref #	Part Number	Qty	Description
11005	11006-1005	1	CYLINDER-ENGINE
11009	11009-043	1	GASKET,CYLINDER BASE
13001	13001-1037	1	PISTON,S.T.D
13002	13002-1013	1	PIN-PISTON
13008	13008-5012	1	RING SET,STD
13024	13024-5008	1	RING SET,0.040"O/S
13025	13025-5007	1	RING SET,0.020"O/S
13027	13027-1005	1	PISTON,0.040 O/S
13029	13029-1003	1	PISTON,0.020 O/S
92001	92003-202	1	BOLT
92033	92036-021	2	CIRCLIP,PISTON PIN
92043	92043-1037	2	PIN,DOWEL,10X8.2X14
92055	92055-1149	3	RING-O,10MM
92055A	92055-105	1	"O" RING

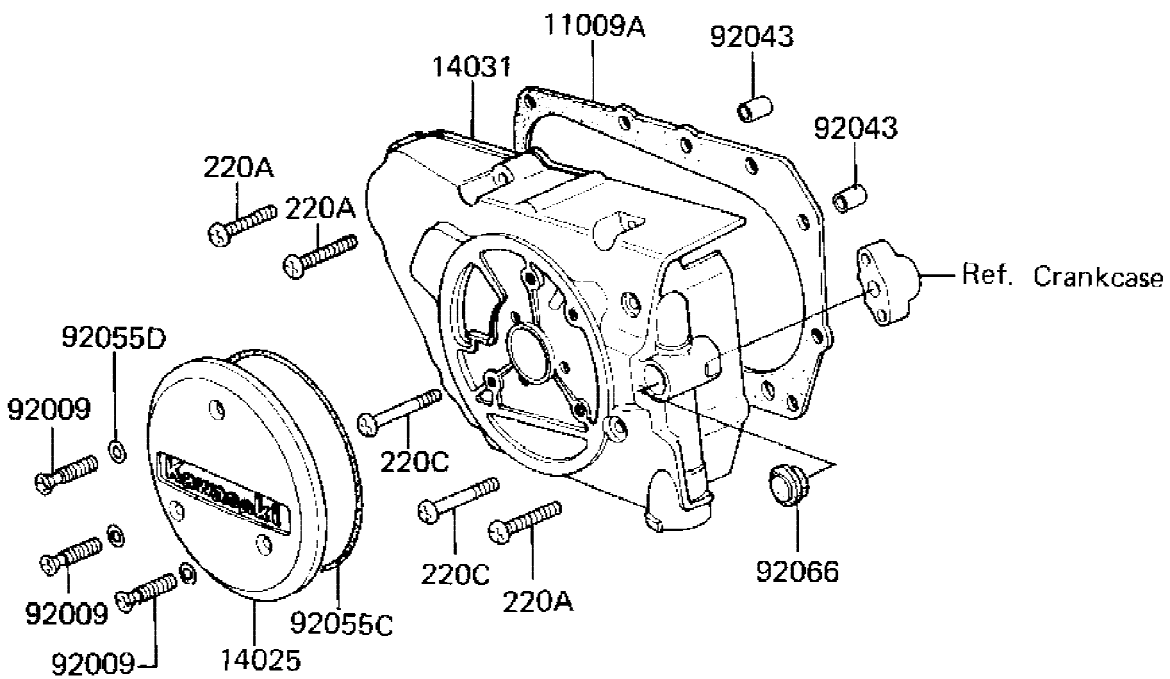
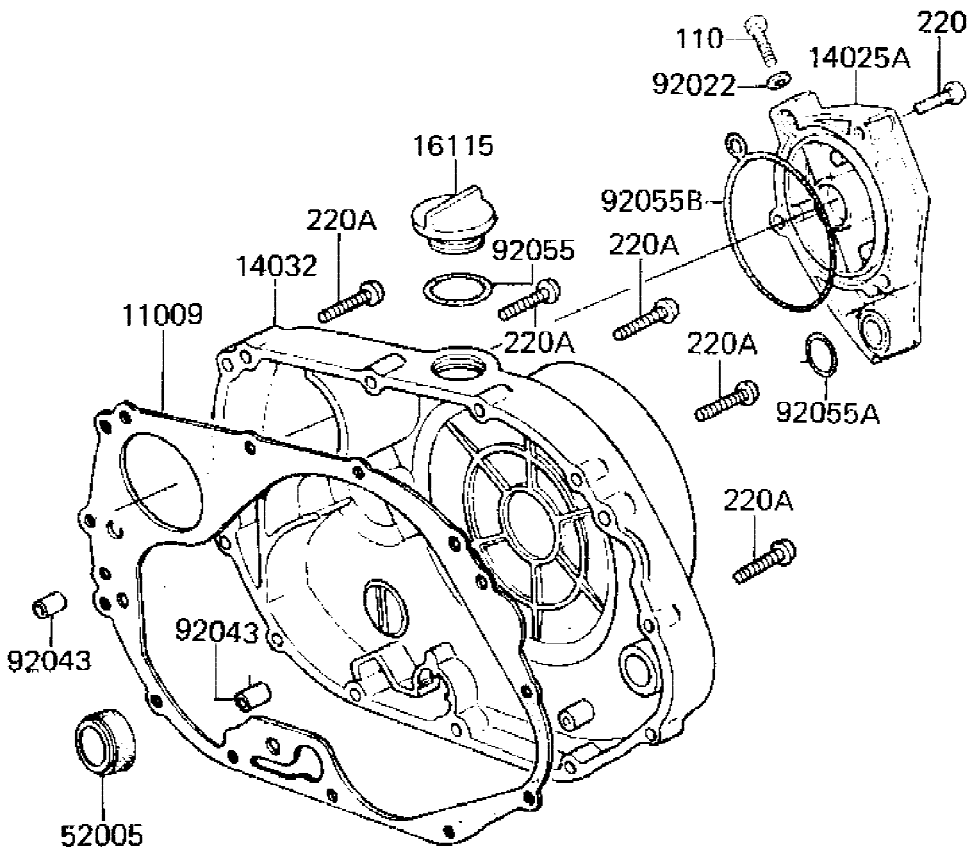


Ref #	Part Number	Qty	Description
1	14031-097-2H	1	COVER,L.H ENGINE
2	14045-031	1	GASKET,L.H ENGINE COV
3	220B0630	7	SCREW PAN HEAD 6X30
4	220B0655	2	SCREW PAN HEAD 6X55
5	92042-007	2	PIN-DOWEL
6	92066-065	1	PLUG
7	14025-1107	1	COVER,GENERATOR
8	222E0625	3	SCREW OVL CNTSK 6X25
9	92055-108	1	"O" RING,DYNAMO COVER
10	92055-109	3	"O" RING,DYNAMO COVER
11	14026-037-2H	1	COVER,CHAIN
12	220B0655	2	SCREW PAN HEAD 6X55
13	14032-1030	1	COVER,R.H ENGINE
14	11009-1235	1	GASKET,ENGINE COV,RH
15	16115-013	1	PLUG,OIL FILLER
16	220B0630	12	SCREW PAN HEAD 6X30
17	52015-004	1	GAUGE,OIL LEVEL
18	92042-007	2	PIN-DOWEL
19	92055-049	1	"O" RING,31MM
20	110B0608	1	BOLT HEX HEAD 6X8
21	14025-1190	1	COVER,FILTER
22	220B0625	1	SCREW PAN HEAD 6X25
23	92022-304	1	WASHER,PLAIN ALUMINUM
24	92055-098	1	"O" RING
25	92055-1048	1	"O" RING,FILTER COVER

E1430-0004

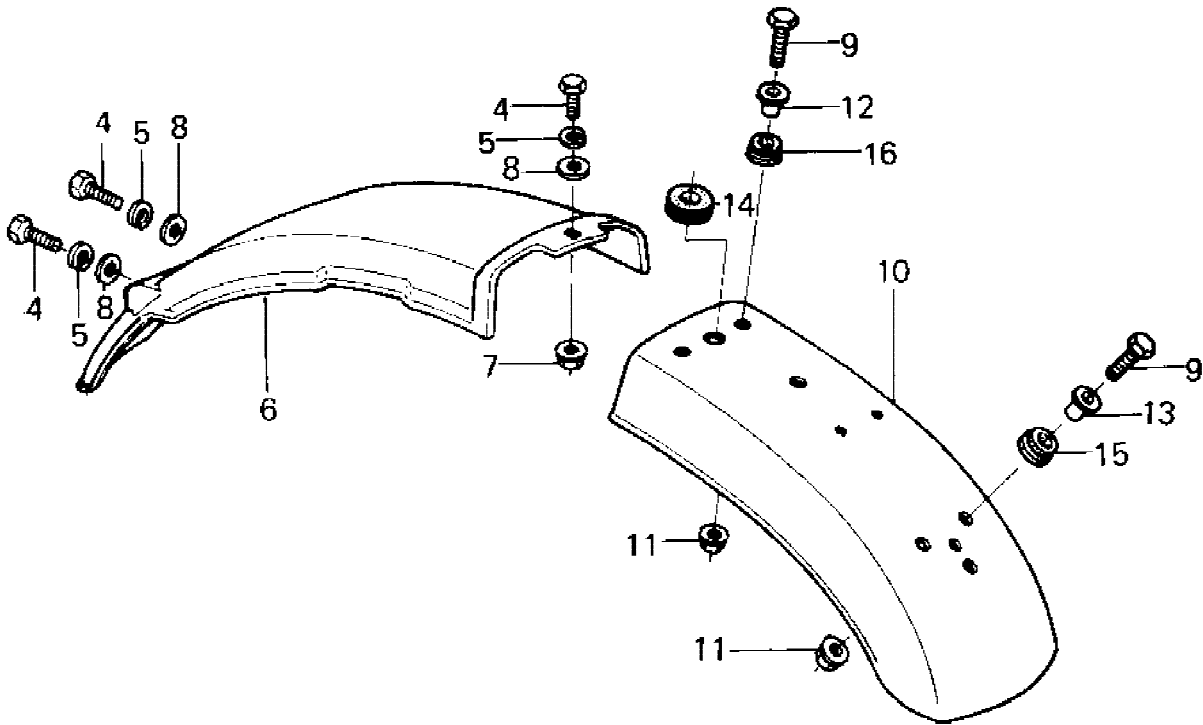
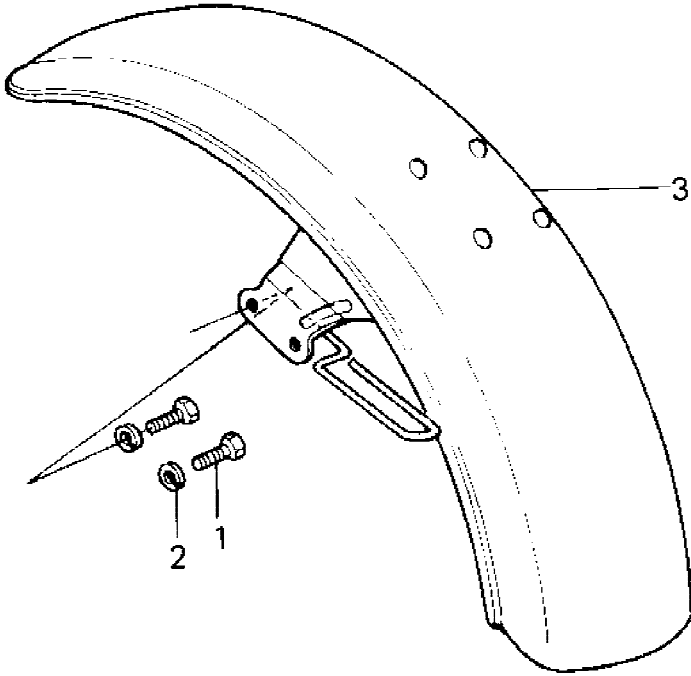


(R.H)



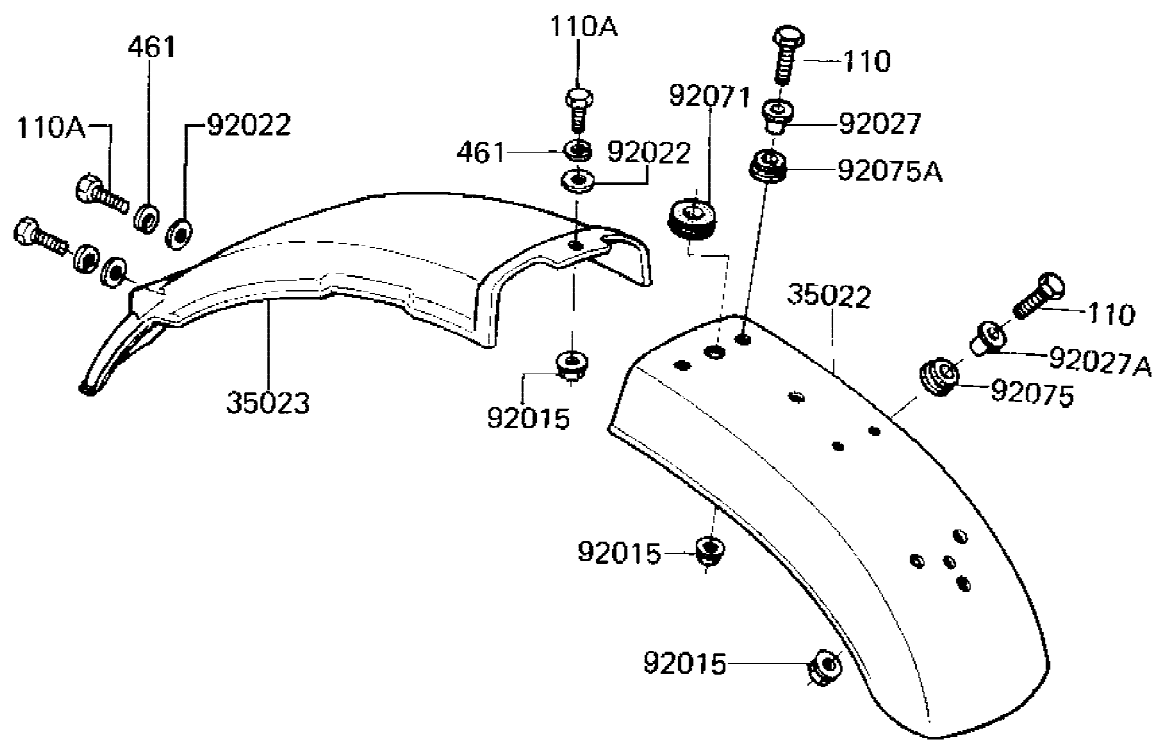
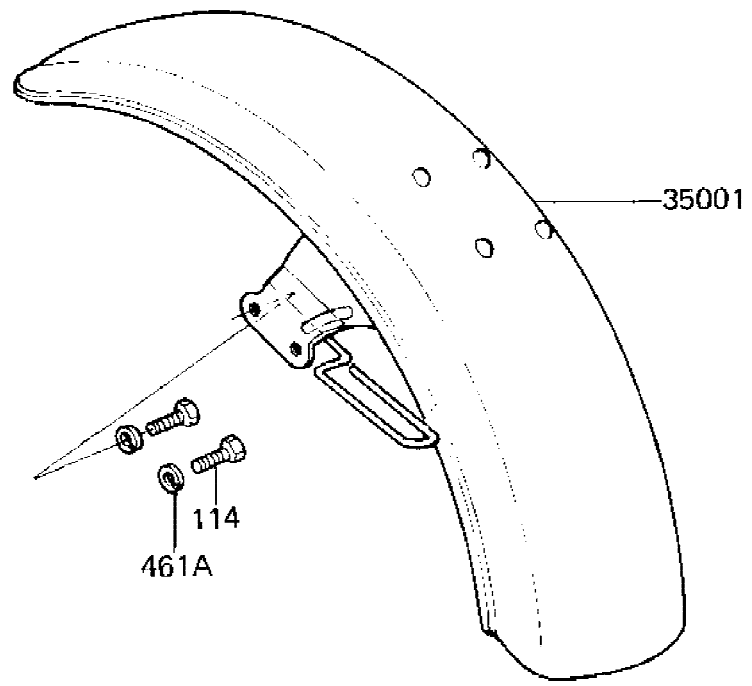
Ref #	Part Number	Qty	Description
11009	11009-1235	1	GASKET,ENGINE COV,RH
11009A	14045-031	1	GASKET,L.H ENGINE COV
14025	14025-1107	1	COVER,GENERATOR
14025A	14025-1190	1	COVER,FILTER
14026	14026-037-2H	1	COVER,CHAIN
14031	14031-1060	1	COVER-GENERATOR
14032	14032-1030	1	COVER,R.H ENGINE
16115	16115-013	1	PLUG,OIL FILLER
52005	52005-1009	1	GAUGE,OIL LEVEL
92009	222E0625	3	SCREW OVL CNTSK 6X25
92022	92022-304	1	WASHER,PLAIN
92043	92042-007	4	PIN-DOWEL
92055	92055-049	1	"O" RING,31MM
92055A	92055-098	1	"O" RING
92055B	92055-1048	1	"O" RING,FILTER COVER
92055C	92055-108	1	"O" RING,DYNAMO COVER
92055D	92055-109	3	"O" RING,DYNAMO COVER
92066	92066-065	1	PLUG
110	110B0608	1	BOLT HEX HEAD 6X8
220	220B0625	3	SCREW PAN HEAD 6X25
220A	220B0630	19	SCREW PAN HEAD 6X30
220B	220B0655	2	SCREW PAN HEAD 6X55
220C	220B0660	2	SCREW PAN HEAD 6X60

FRONT

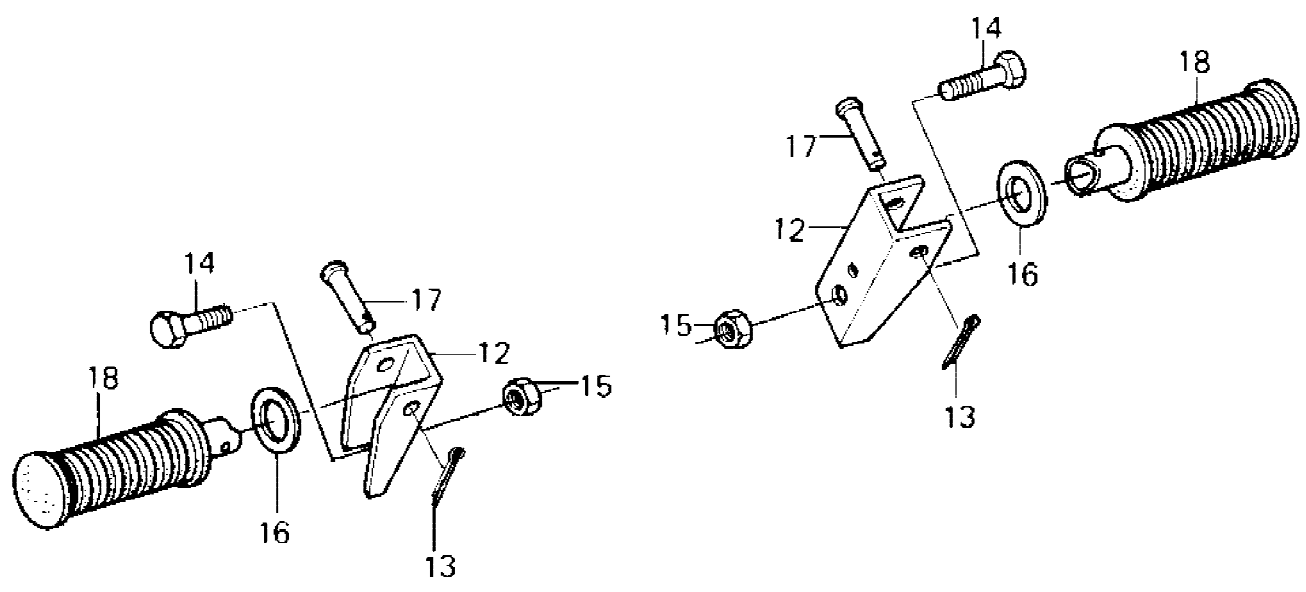
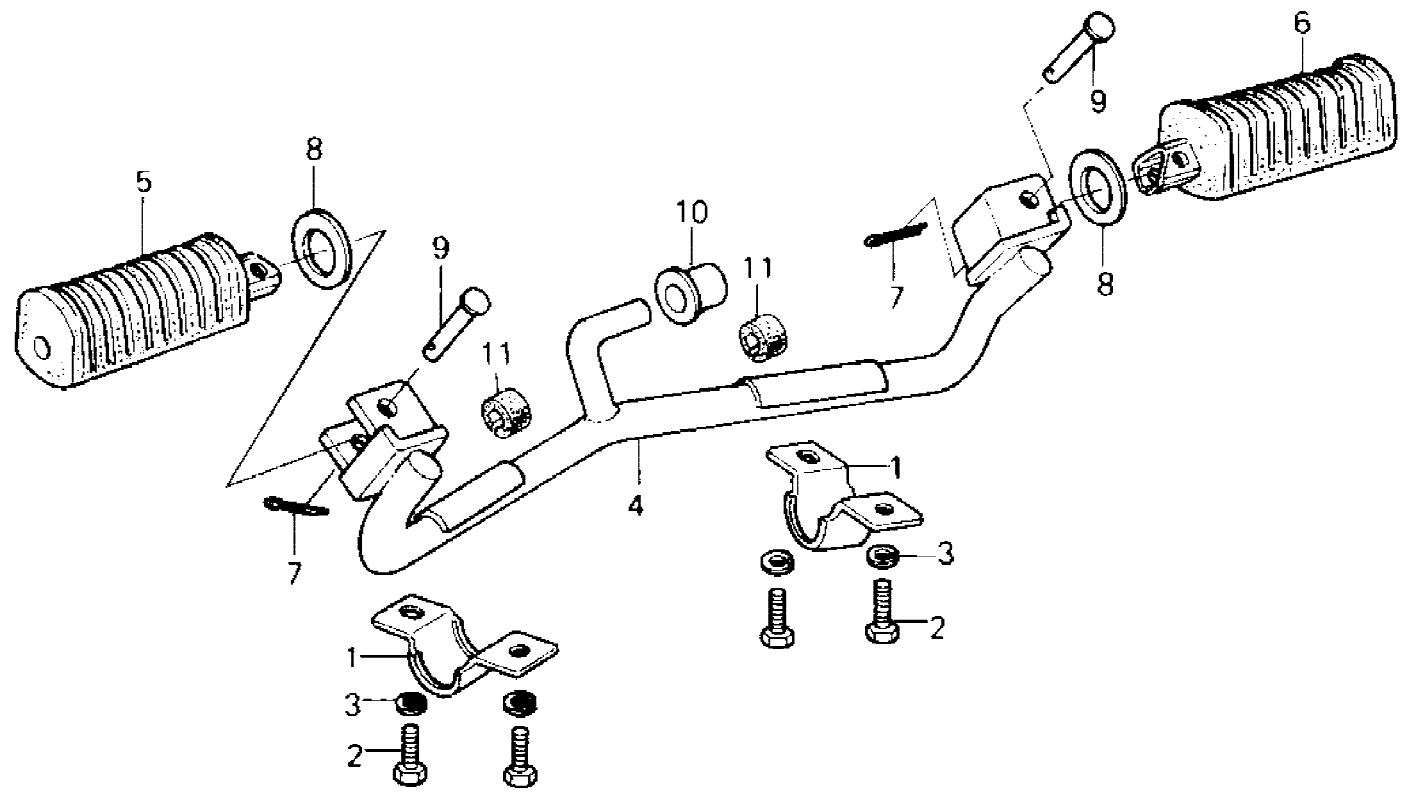


Ref #	Part Number	Qty	Description
1	115G0816	4	BOLT-SMALL-UPSET,8X16
2	461F0800	4	WASHER SPRING 8MM
3	35001-1026	1	FENDER-FR
4	112G0616	3	BOLT-UPSET,6X16
5	461F0600	3	WASHER SPRING 6MM
6	35023-1041	1	FENDER-RR FRONT
7	92015-1078	1	NUT-6MM
8	92022-125	3	WASHER 6.5X20X1.6T
9	112B0622	4	BOLT 6X22
10	35022-1051	1	FENDER-RR REAR
11	92015-1078	4	NUT-6MM
12	92027-194	2	COLLAR
13	92027-251	2	COLLAR
14	92071-019	1	GROMMET HARNESS 10MM
15	92075-209	2	DAMPER RUBBER,RR FENR
16	92075-277	2	DAMPER RUBBER

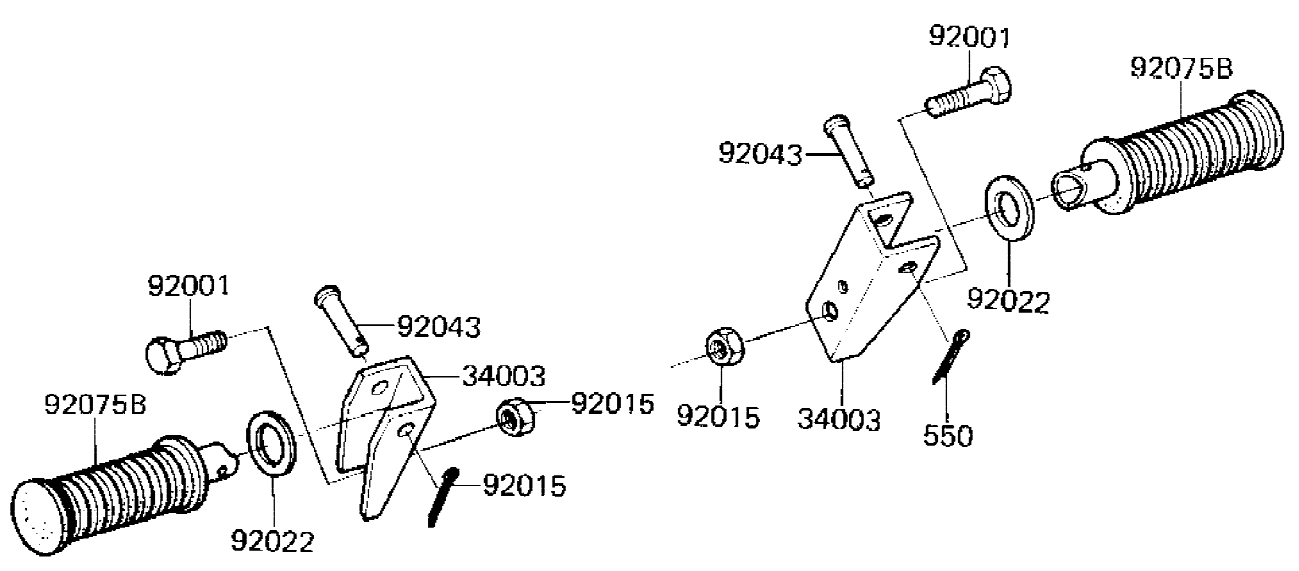
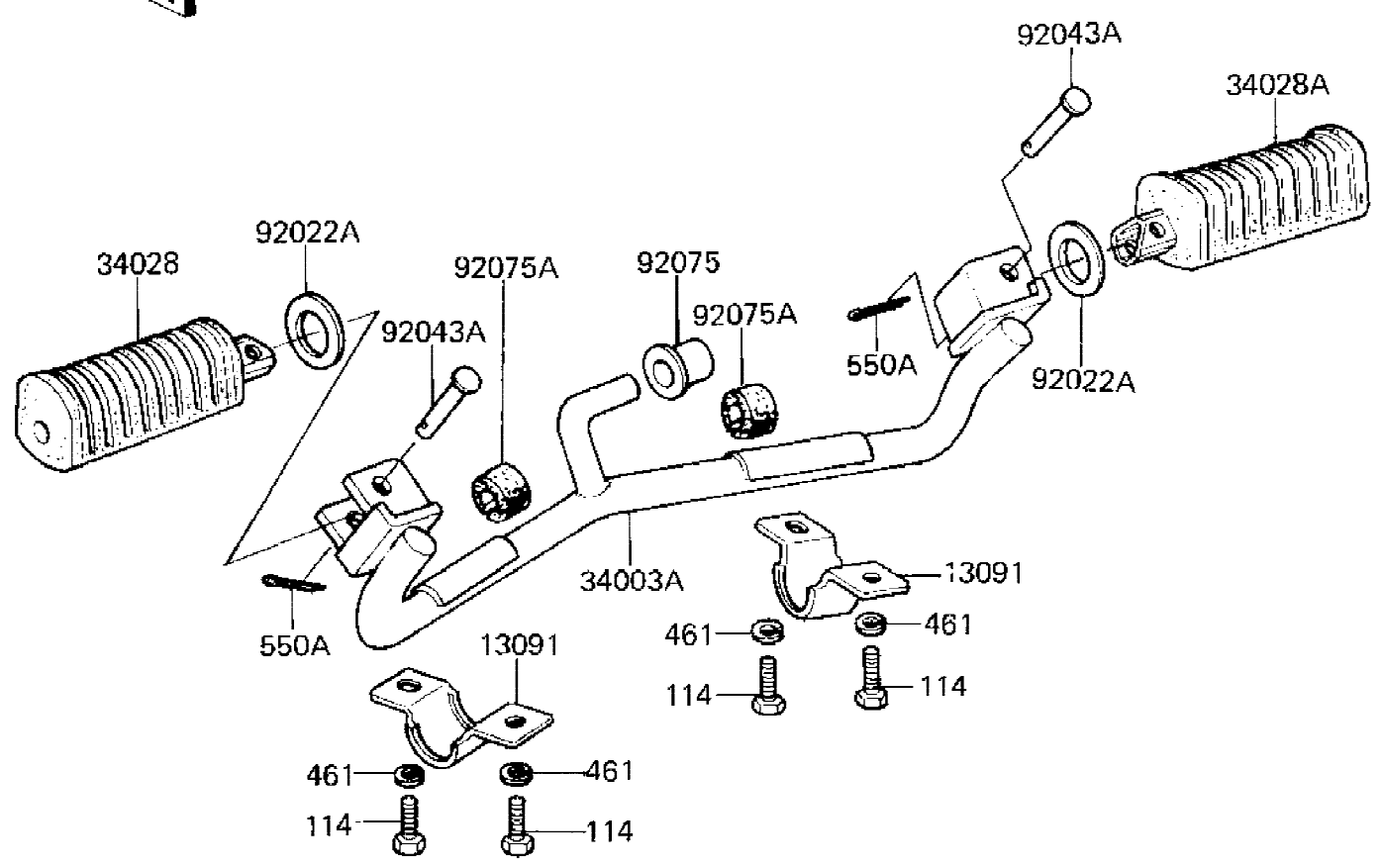
FRONT



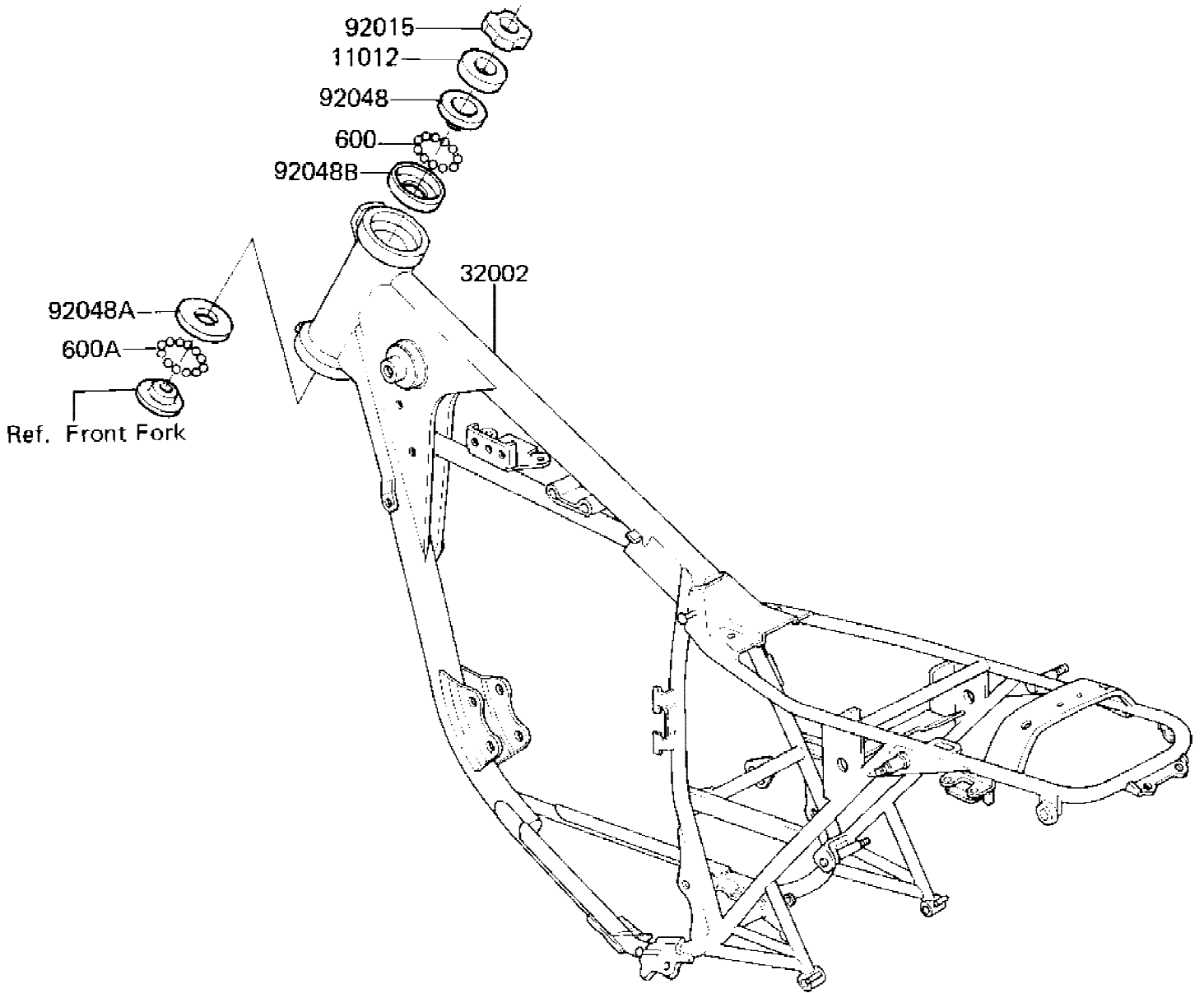
Ref #	Part Number	Qty	Description
35001	35001-1026	1	FENDER-FR
35022	35022-1051	1	FENDER-RR
35023	35023-1041	1	FENDER-RR
92015	92015-1078	5	NUT-6MM
92022	92022-125	3	WASHER 6.5X20X1.6T
92027	92027-194	2	COLLAR
92027A	92027-251	2	COLLAR
92071	92071-099	1	GROMMET,HARNESS
92075	92075-209	2	DAMPER RUBBER,RR FENR
92075A	92075-277	2	DAMPER RUBBER
110	112B0622	4	BOLT 6X22
110A	112G0616	3	BOLT-UPSET,6X16
114	115G0816	4	BOLT-SMALL-UPSET,8X16
461	461F0600	3	WASHER SPRING 6MM
461A	461F0800	4	WASHER SPRING 8MM



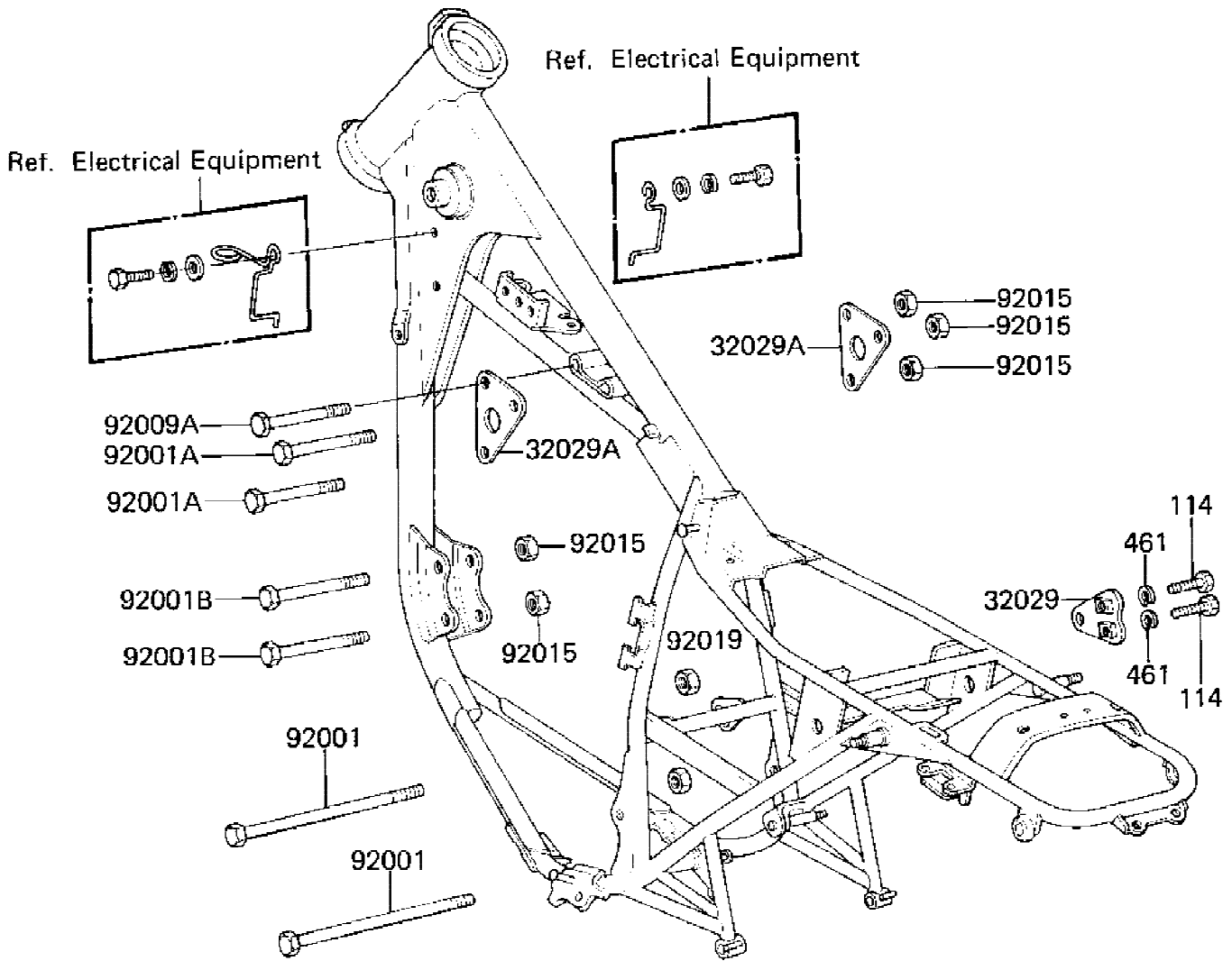
Ref #	Part Number	Qty	Description
1	13091-1003	2	HOLDER,FOOTREST
2	115G0816	4	BOLT-SMALL-UPSET,8X16
3	461F0800	4	WASHER SPRING 8MM
4	34003-1058	1	BAR,FOOT REST
5	34027-1106	1	STEP-ASSY,FR,LH
6	34027-1107	1	STEP-ASSY,FR,RH
7	550D2516	2	PIN COTTER 2.5X16
8	92022-250	2	WASHER,PLAIN
9	92043-115	2	PIN,FOOTREST BAR FIT
10	92075-1029	1	DAMPER,RUBBER
11	92075-306	2	DAMPER,RUBBER
12	34003-1025	2	HOLDER,REAR FOOTREST
13	550D2012	2	PIN,COTTER,2.0X12
14	92003-213	2	BOLT,HEX HEAD,10X40
15	92019-021	2	NUT,LOCK,10MM
16	92022-199	2	WASHER-PLAIN (OPT)
17	92043-1464	2	PIN
18	92076-027	2	RUBBER,FOOTREST



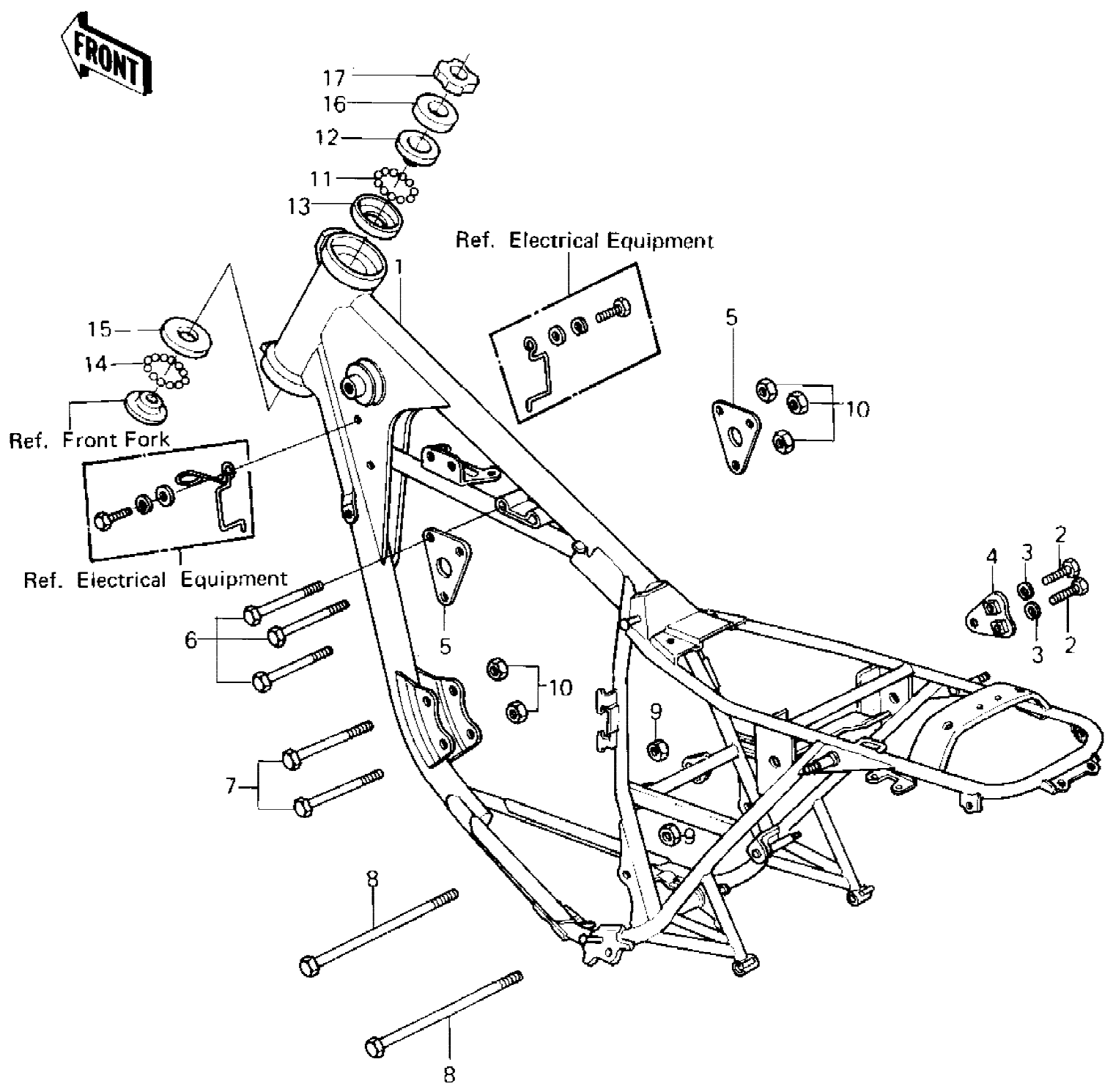
Ref #	Part Number	Qty	Description
13091	13091-1003	2	HOLDER,FOOTREST
34003	34003-1025	2	HOLDER,REAR FOOTREST
34003A	34003-1058	1	BAR,FOOT REST
34028	34027-1106	1	STEP-ASSY,FR,LH
34028A	34027-1107	1	STEP-ASSY,FR,RH
92001	92003-213	2	BOLT,HEX HEAD,10X40
92015	92019-021	2	NUT,LOCK,10MM
92022	92022-199	2	WASHER-PLAIN (OPT)
92022A	92022-250	2	WASHER,PLAIN
92043	92043-1464	2	PIN
92043A	92043-115	2	PIN,FOOTREST BAR FIT
92075	92075-1029	1	DAMPER,RUBBER
92075A	92075-306	2	DAMPER,RUBBER
92075B	92076-027	2	RUBBER,FOOTREST
114	115G0816	4	BOLT-SMALL-UPSET,8X16
461	461F0800	4	WASHER SPRING 8MM
550	550D2012	2	PIN,COTTER,2.0X12
550A	550D2515	2	PIN,COTTER,2.5X15



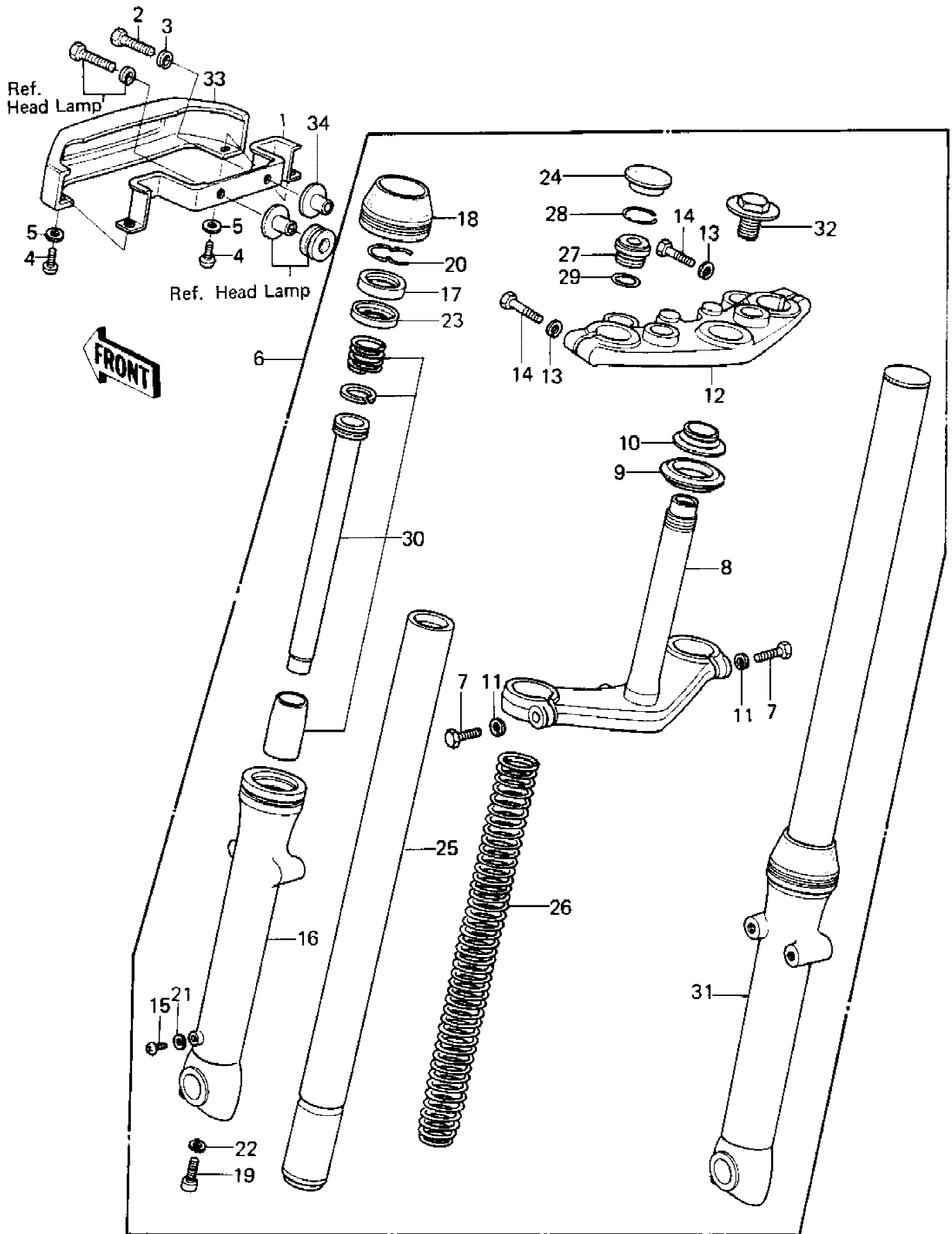
Ref #	Part Number	Qty	Description
11012	46098-012	1	CAP,STEERING STEM
32002	32002-1195	1	FRAME-COMP
92015	92090-022	1	NUT,STEERING STEM
92048	92047-014	1	CONE,STRG STM BRG,UP
92048A	92048-005	1	RACE STEERING BEARING
92048B	92048-009	1	RACE,STRG STM BEARING
600	600A0600	23	BALL STEEL 3/16'
600A	600A0800	19	BALL STEEL 1/4'



Ref #	Part Number	Qty	Description
32029	32029-1008	2	BRACKET,ENGINE
32029A	32030-069	2	PLATE,ENGINE HEAD
92001	92001-1602	2	BOLT, FLANGED, 10X110
92001A	92001-1581	3	BOLT,FLANGED,8X60
92001B	92001-1389	2	BOLT,8X70
92015	92015-1124	5	NUT,LOCK,8MM
92015A	92015-1429	2	NUT,10MM
114	115G0816	4	BOLT-SMALL-UPSET,8X16
461	461F0800	4	WASHER SPRING 8MM

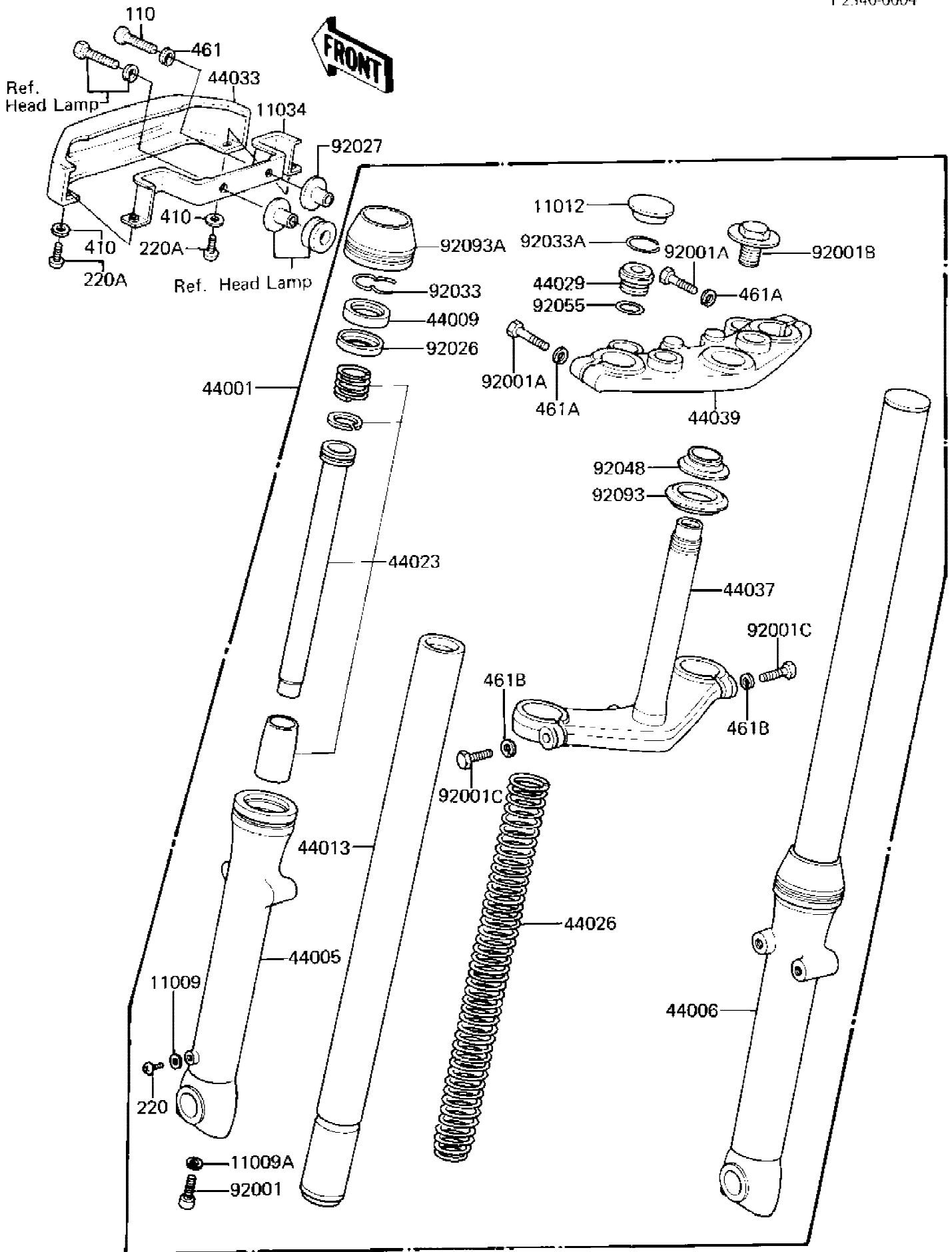


Ref #	Part Number	Qty	Description
1	32002-1113	1	FRAME,
2	115G0816	4	BOLT-SMALL-UPSET,8X16
3	461F0800	4	WASHER SPRING 8MM
4	32029-1008	2	BRACKET,ENGINE
5	32030-069	2	PLATE,ENGINE HEAD
6	92001-1581	3	BOLT,FLANGED,8X60
7	92001-1583	2	BOLT FLANGED,8X70
8	92001-1602	2	BOLT, FLANGED, 10X110
9	92019-021	2	NUT,LOCK,10MM
10	92015-1124	5	NUT,LOCK,8MM
11	600A0600	23	BALL STEEL 3/16'
12	92047-014	1	CONE,STRG STM BRG,UP
13	92048-009	1	RACE,STRG STM BEARING
14	600A0800	19	BALL STEEL 1/4'
15	92048-005	1	RACE STEERING BEARING
16	46098-012	1	CAP,STEERING STEM
17	92090-022	1	NUT,STEERING STEM

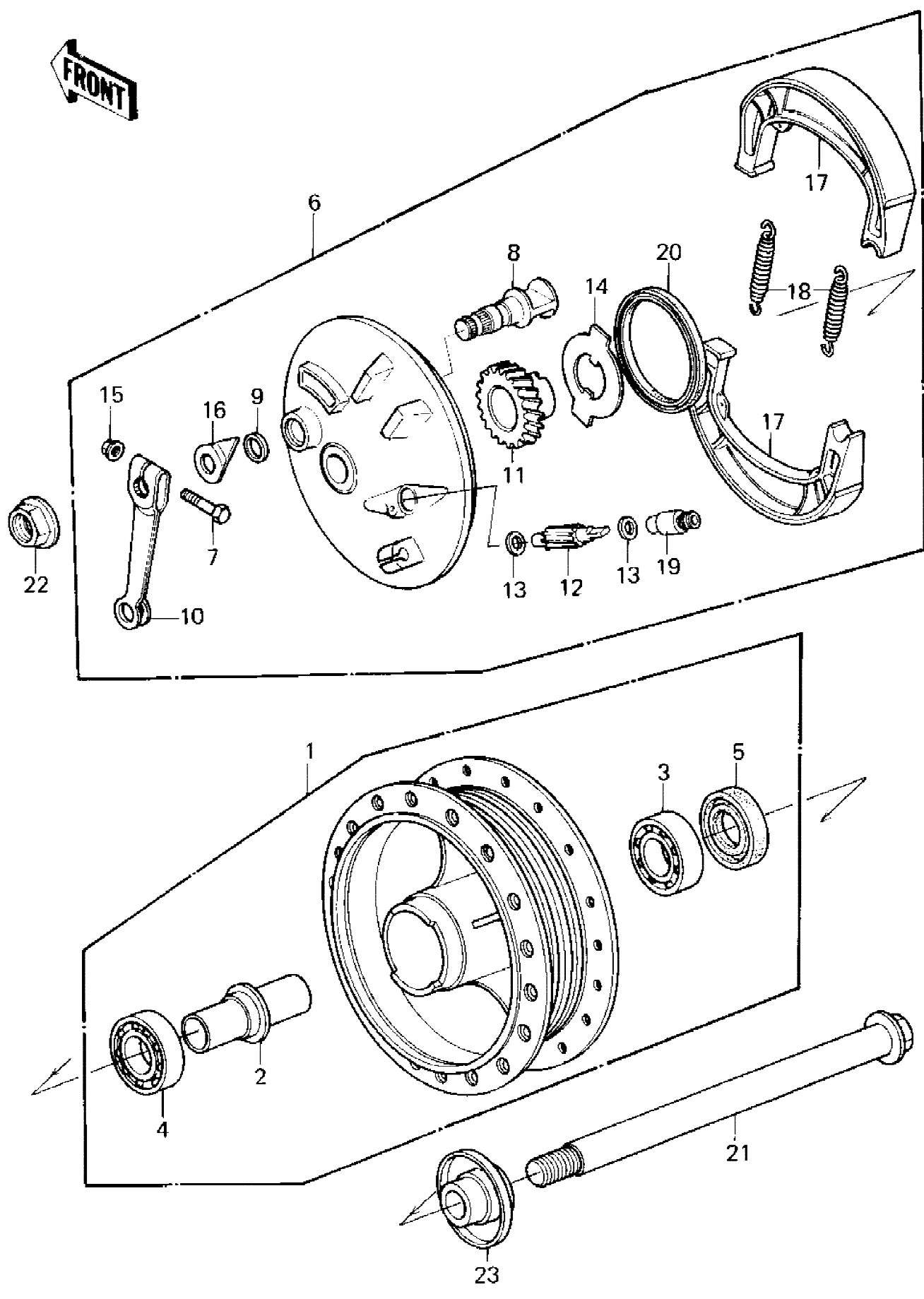


Ref #	Part Number	Qty	Description
1	11034-1698	1	BRACKET,FORK COVER
2	112G0625	1	BOLT-UPSET
3	461F0600	1	WASHER SPRING 6MM
4	220B0410	2	SCREW PAN HEAD 4X10
5	410B0400	2	WASHER PLAIN 4MM
6	44001-1114	1	FORK-FRONT
7	92001-1252	2	BOLT,HEX HEAD 10X35
8	44037-1036	1	STEM,STEERING
9	44010-027	1	SEAL,STEERING STEM
10	92047-010	1	CONE STERNG BERG LOW
11	461F1000	2	WASHER SPRING 10MM
12	44039-078	1	HEAD,STEERING STEM
13	461F0800	2	WASHER SPRING 8MM
14	92001-1063	2	BOLT,HEX HEAD,8X40
15	220B0406	2	SCREW PAN HEAD 4X6
16	44005-1047	1	TUBE,LH,FORK OUTER
17	44009-028	2	OIL SEAL,FORK
18	44010-037	2	DUST SHIELD,FORK
19	44041-078	2	BOLT,FORK CYLINDER
20	44044-020	2	CIRCLIP,45MM
21	44045-046	2	GASKET,FORK DRAIN PLG
22	44045-051	2	GASKET,FORK CYL BOLT
23	92026-1069	2	SPACER,OUTER TUBE
24	11012-1124	2	CAP,FORK
25	44013-1039	2	TUBE,FORK INNER
26	44026-1054	2	SPRING,FORK
27	44029-022	2	GUIDE,SPRING
28	44044-023	2	CIRCLIP
29	44046-025	2	"O" RING
30	44023-1005	2	CYLINDER-FORK
31	44006-1047	1	TUBE,RH,FORK OUTER
32	92001-1741	1	BOLT,STEERING STEM HE
33	44033-1042	1	COVER,FORK
34	92027-251	1	COLLAR

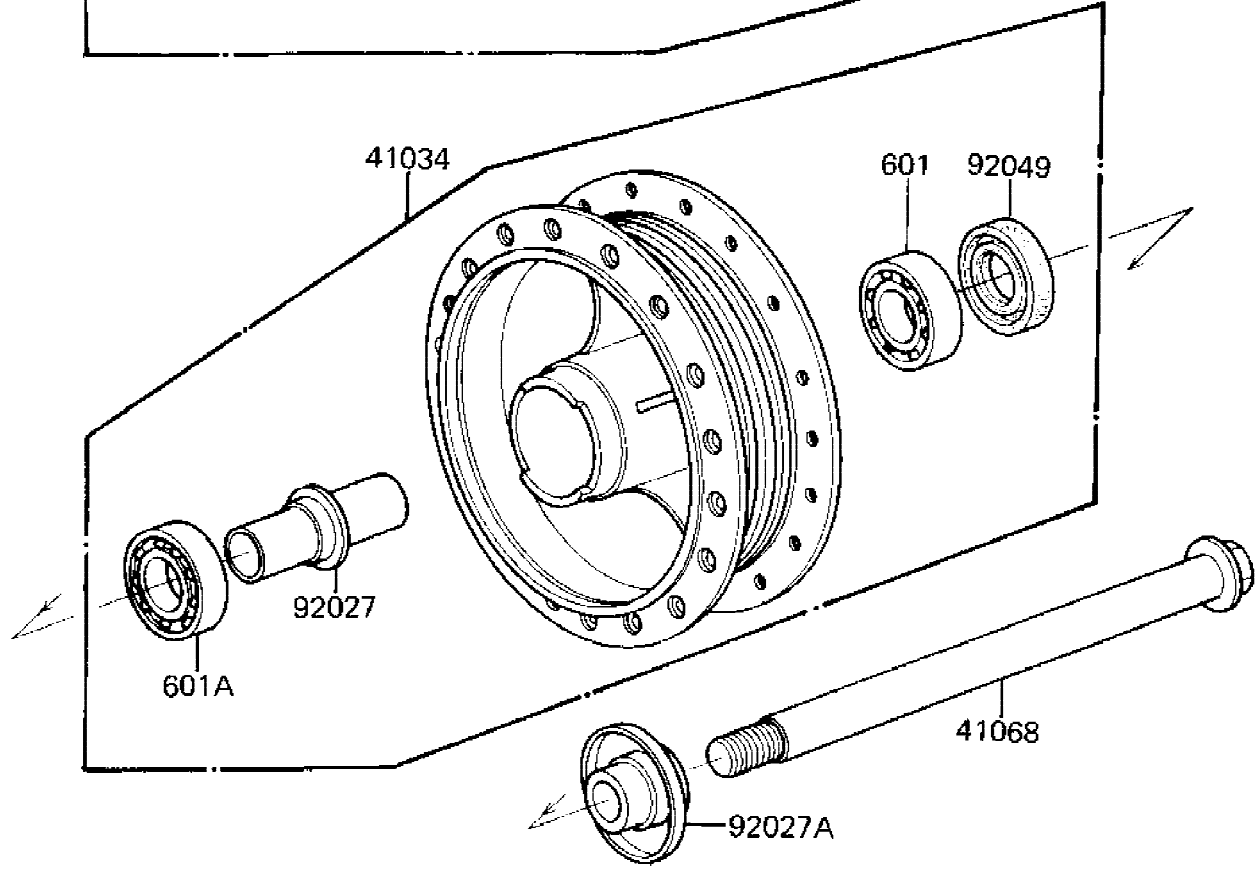
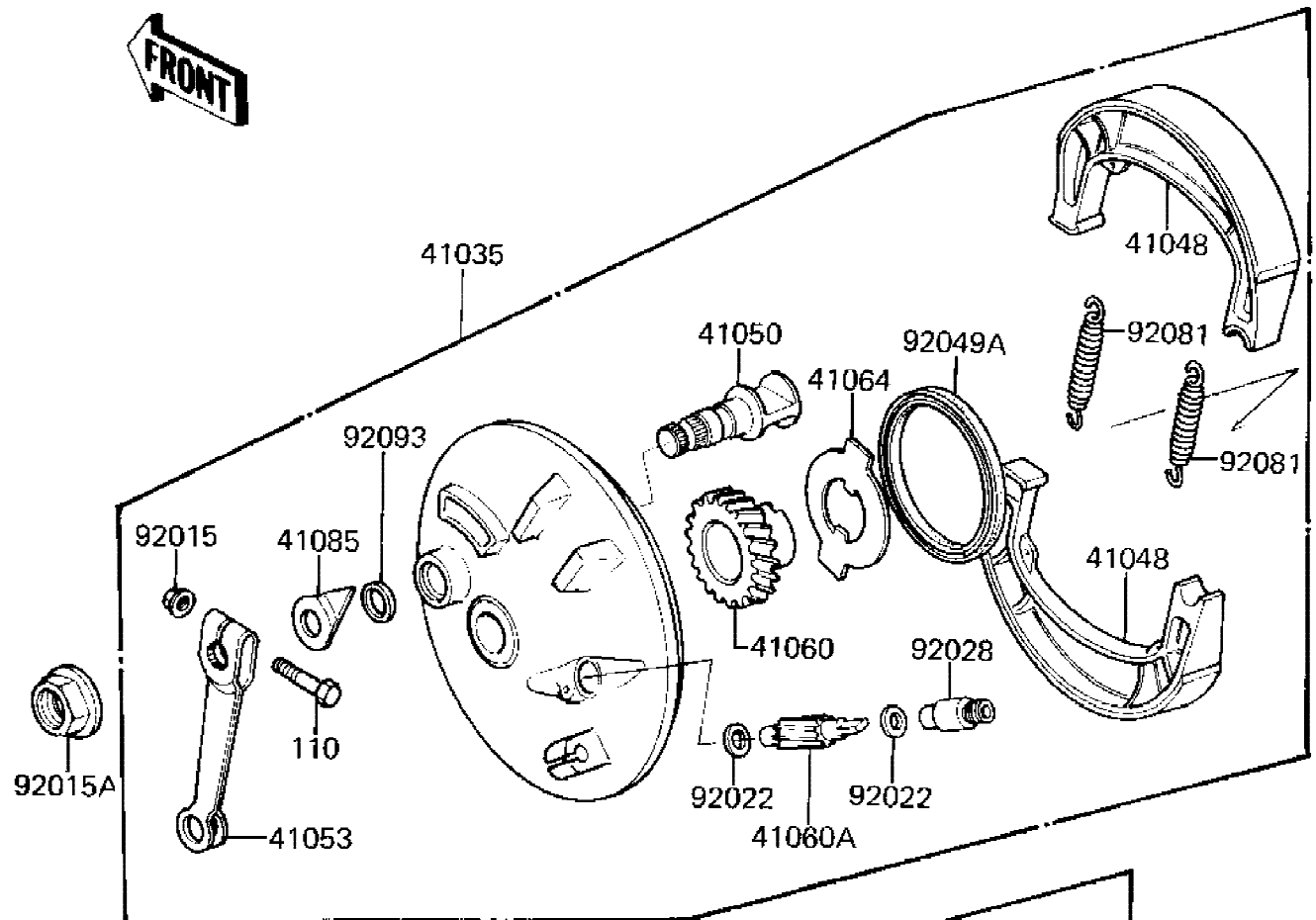
F-2340-0004



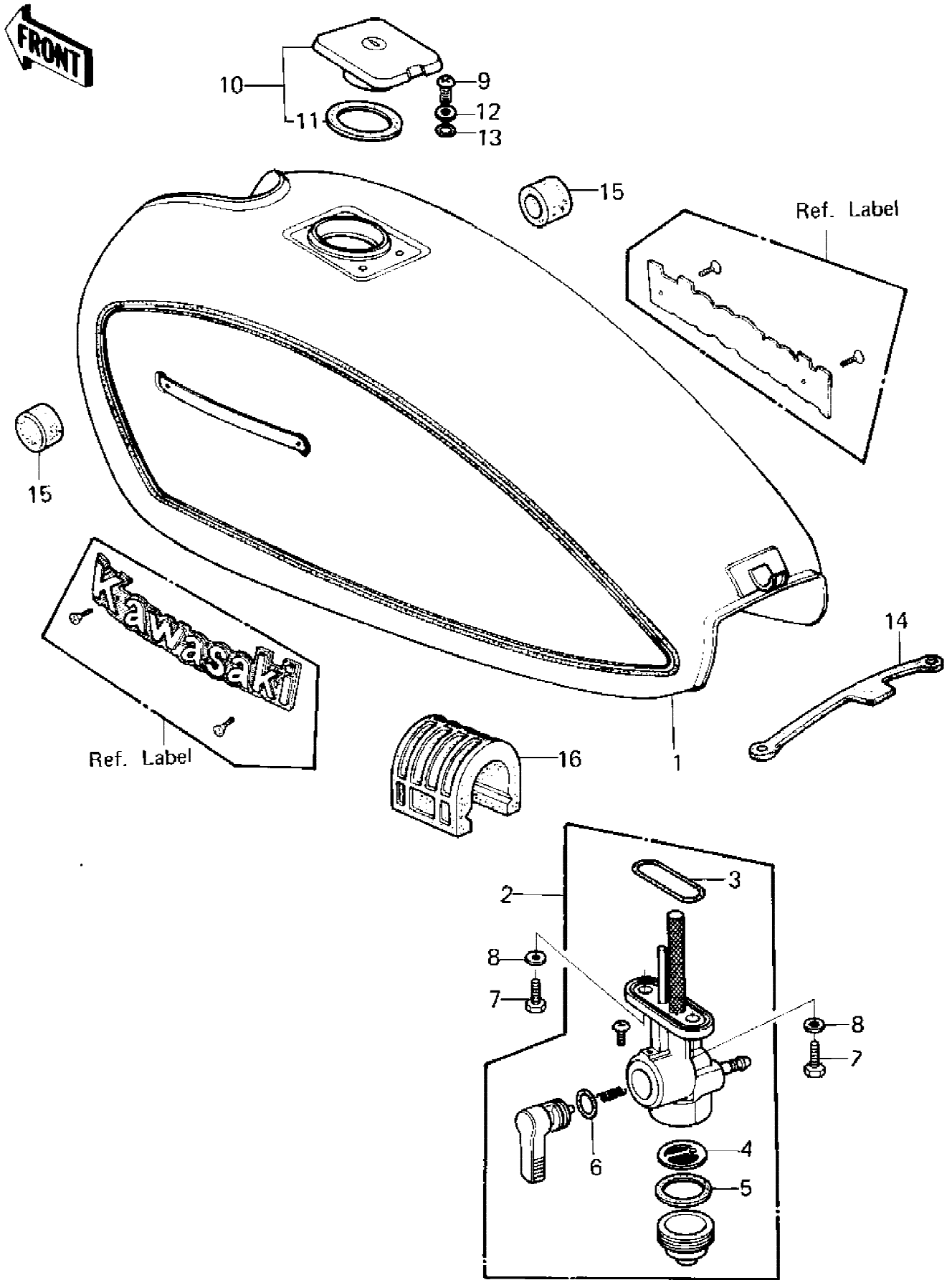
Ref #	Part Number	Qty	Description
11009	44045-046	2	GASKET,FORK DRAIN PLG
11009A	44045-051	2	GASKET,FORK CYL BOLT
11012	11012-1124	2	CAP,FORK
11034	11034-1698	1	BRACKET,FORK COVER
44001	44001-1114	1	FORK-FRONT
44005	44005-1047	1	TUBE,LH,FORK OUTER
44006	44006-1047	1	TUBE,RH,FORK OUTER
44009	44009-028	2	OIL SEAL,FORK
44013	44013-1039	2	TUBE,FORK INNER
44023	44023-1005	2	CYLINDER-FORK
44026	44026-1054	2	SPRING,FORK
44029	44029-022	2	GUIDE,SPRING
44033	44033-1062	1	COVER-FORK
44037	44037-1036	1	STEM,STEERING
44039	44039-078	1	HEAD,STEERING STEM
92001	44041-078	2	BOLT,FORK CYLINDER
92001A	92001-1063	2	BOLT,HEX HEAD,8X40
92001B	92001-1741	1	BOLT,STEERING STEM HE
92001C	92001-1252	2	BOLT,HEX HEAD 10X35
92026	92026-1069	2	SPACER,OUTER TUBE
92027	92027-251	1	COLLAR
92033	44044-020	2	CIRCLIP,45MM
92033A	44044-023	2	CIRCLIP
92048	92047-010	1	CONE STERNG BERG LOW
92055	44046-025	2	"O" RING
92093	44010-027	1	SEAL,STEERING STEM
92093A	44010-037	2	DUST SHIELD,FORK
1110	112G0625	1	BOLT-UPSET
220	220B0406	2	SCREW PAN HEAD 4X6
220A	220B0410	2	SCREW PAN HEAD 4X10
410	410B0400	2	WASHER PLAIN 4MM
461	461F0600	1	WASHER SPRING 6MM
461A	461F0800	2	WASHER SPRING 8MM
461B	461F1000	2	WASHER SPRING 10MM



Ref #	Part Number	Qty	Description
1	41034-048-80	1	DRUM-ASSY,FR BRK,BUFF
2	41039-004	1	SPACER FR HUB BEARING
3	601B6202	1	BEARING BALL #6202
4	601B6202Z	1	BEARING BALL #6202Z
5	92050-008	1	OIL SEAL RR BRK DRUM
6	41035-1028	1	PANEL-ASY,FR BRK
7	112G0635	1	BOLT-UPSET,6X35
8	41050-1015	1	CAM SHAFT,FR BRAKE
9	41051-001	1	DUST SHIELD BRAKE CAM
10	41053-1017	1	LEVER,FR BRAKE CAM
11	41060-1027	1	GEAR,SPEEDOMETER 29T 29T
12	41060-1028	1	PINION,SPEEDOMET,11T 11T
13	41063-001	2	WASHER THRST SPD PINI
14	41064-003	1	RECIEVER GEAR
15	41072-007	1	NUT,6MM
16	41085-005	1	INDICATOR,FR BRK PNL
17	42019-011	2	SHOE,BRAKE
18	42020-004	2	SPRING-BRAKE SHOE
19	92028-1066	1	BUSHING,SPEEDOMET CBL
20	92050-010	1	OIL SEAL F BRK PANEL
21	41068-1029	1	AXLE,FRONT
22	92015-1407	1	NUT,14MM
23	92027-1218	1	COLLAR,FR AXLE

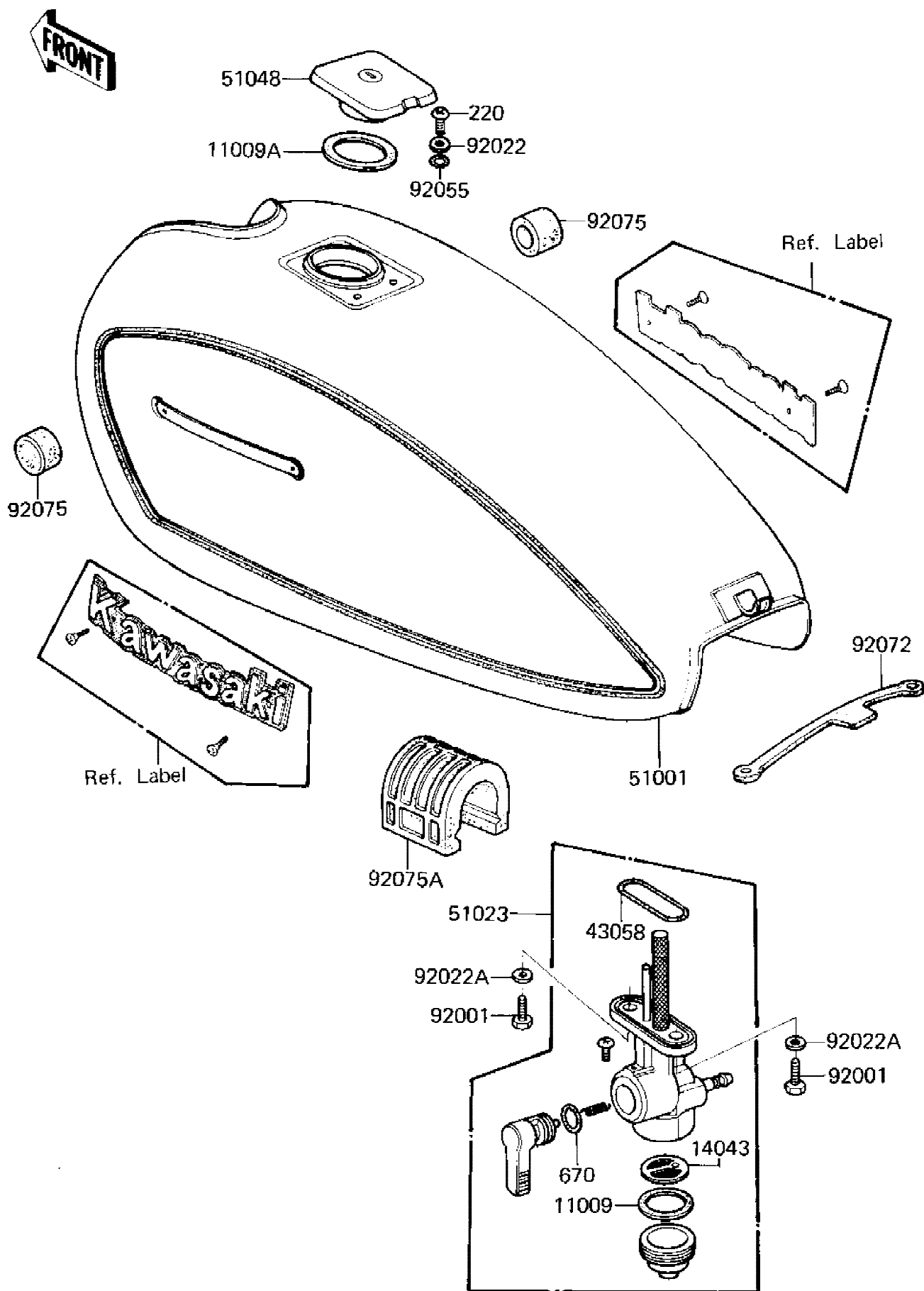


Ref #	Part Number	Qty	Description
41034	41034-048-80	1	DRUM-ASSY,FR BRK,BUFF
41035	41035-1028	1	PANEL-ASY,FR BRK
41048	42019-011	2	SHOE,BRAKE
41050	41050-1015	1	CAM SHAFT,FR BRAKE
41053	41053-1017	1	LEVER,FR BRAKE CAM
41060	41060-1027	1	GEAR,SPEEDOMETER 29T
41060A	41060-1028	1	PINION,SPEEDOMET,11T
41064	41064-003	1	RECIEVER GEAR
41068	41068-1029	1	AXLE,FRONT
41085	41085-005	1	INDICATOR,FR BRK PNL
92015	41072-007	1	NUT,6MM
92015A	92015-1407	1	NUT,14MM
92022	41063-001	2	WASHER THRST SPD PINI
92027	41039-004	1	SPACER FR HUB BEARING
92027A	92027-1218	1	COLLAR,FR AXLE
92028	92028-1066	1	BUSHING,SPEEDOMET CBL
92049	92050-008	1	OIL SEAL RR BRK DRUM
92049A	92050-010	1	OIL SEAL F BRK PANEL
92081	42020-004	2	SPRING-BRAKE SHOE
92093	41051-001	1	DUST SHIELD BRAKE CAM
110	112G0635	1	BOLT-UPSET,6X35
601	601B6202	1	BEARING BALL #6202
601A	601B6202Z	1	BEARING BALL #6202Z

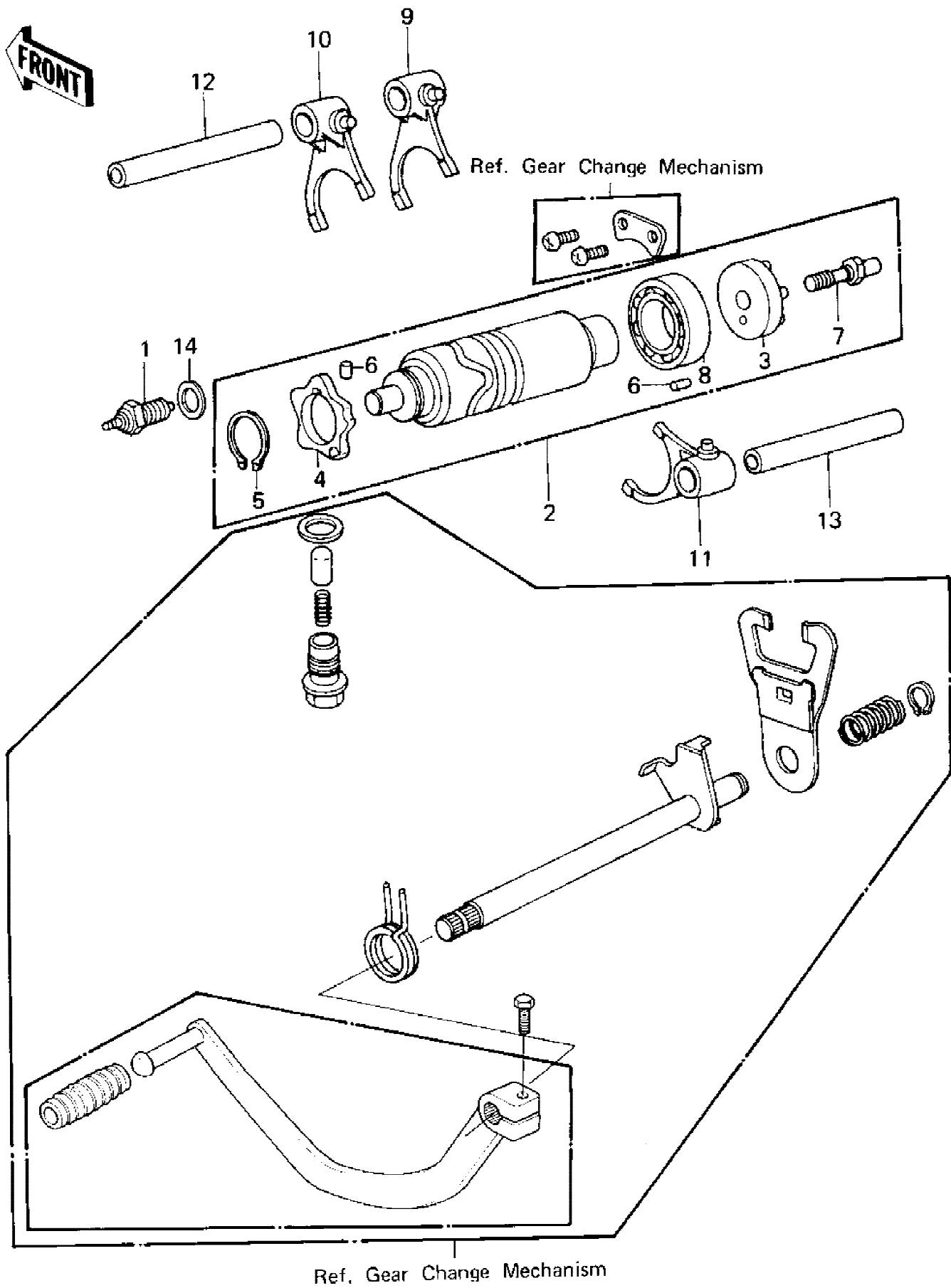


Ref #	Part Number	Qty	Description
1	51001-1039-A5	1	TANK-FUEL,C.P.RED
1	51001-1039-7Z	1	TANK-FUEL,L.D.BLUE
2	51023-1051	1	TAP ASSY FUEL
3	51039-003	1	"O" RING
4	14043-1002	1	STRINER,FUEL TAP
5	11009-1013	1	GASKET,FUEL TAP CUP
6	670B2010	1	"O" RING, 10MM
7	92001-1091	2	BOLT,6X20,FUEL TAP
8	92022-183	2	WASHER-PLAIN
9	220B0510	2	SCREW PAN HEAD 5X10
10	51048-1018	1	CAP ASSY TANK
11	11009-1051	1	GASKET,FUEL TANK CAP
12	92022-1038	2	WASHER,PLAIN
13	92055-1023	2	"O" RING
14	92072-042	1	BAND,FUEL TANK
15	92075-101	2	DAMPER RUBBER-FL TANK
16	92075-215	1	DAMPER RUBBER,FL TNK

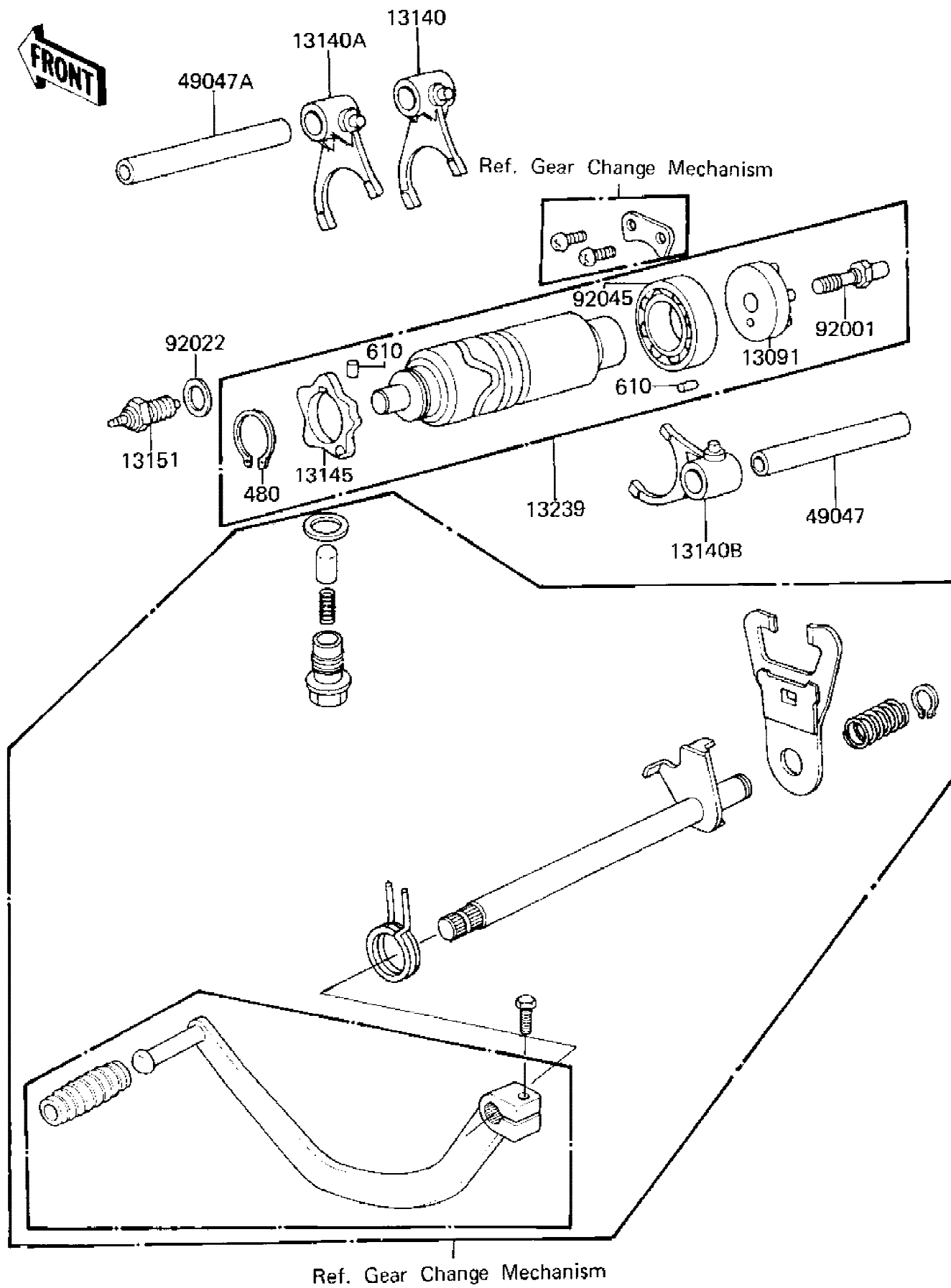
F2410-0004



Ref #	Part Number	Qty	Description
11009	11009-1013	1	GASKET,FUEL TAP CUP
11009A	11009-1051	1	GASKET,FUEL TANK CAP
14043	14043-1002	1	STRINER,FUEL TAP
43058	51039-003	1	"O" RING
51001	51001-1039-D9	1	TANK-FUEL,L.P.RED
51023	51023-1051	1	TAP ASSY FUEL
51048	51048-1018	1	CAP ASSY TANK
92001	92001-1091	2	BOLT,6X20,FUEL TAP
92022	92022-1038	2	WASHER,PLAIN
92022A	92022-183	2	WASHER-PLAIN
92055	92055-1023	2	"O" RING
92072	92072-042	1	BAND,FUEL TANK
92075	92075-101	2	DAMPER RUBBER-FL TANK
92075A	92075-215	1	DAMPER RUBBER,FL TNK
220	220B0510	2	SCREW PAN HEAD 5X10
670	670B2010	1	"O" RING, 10MM

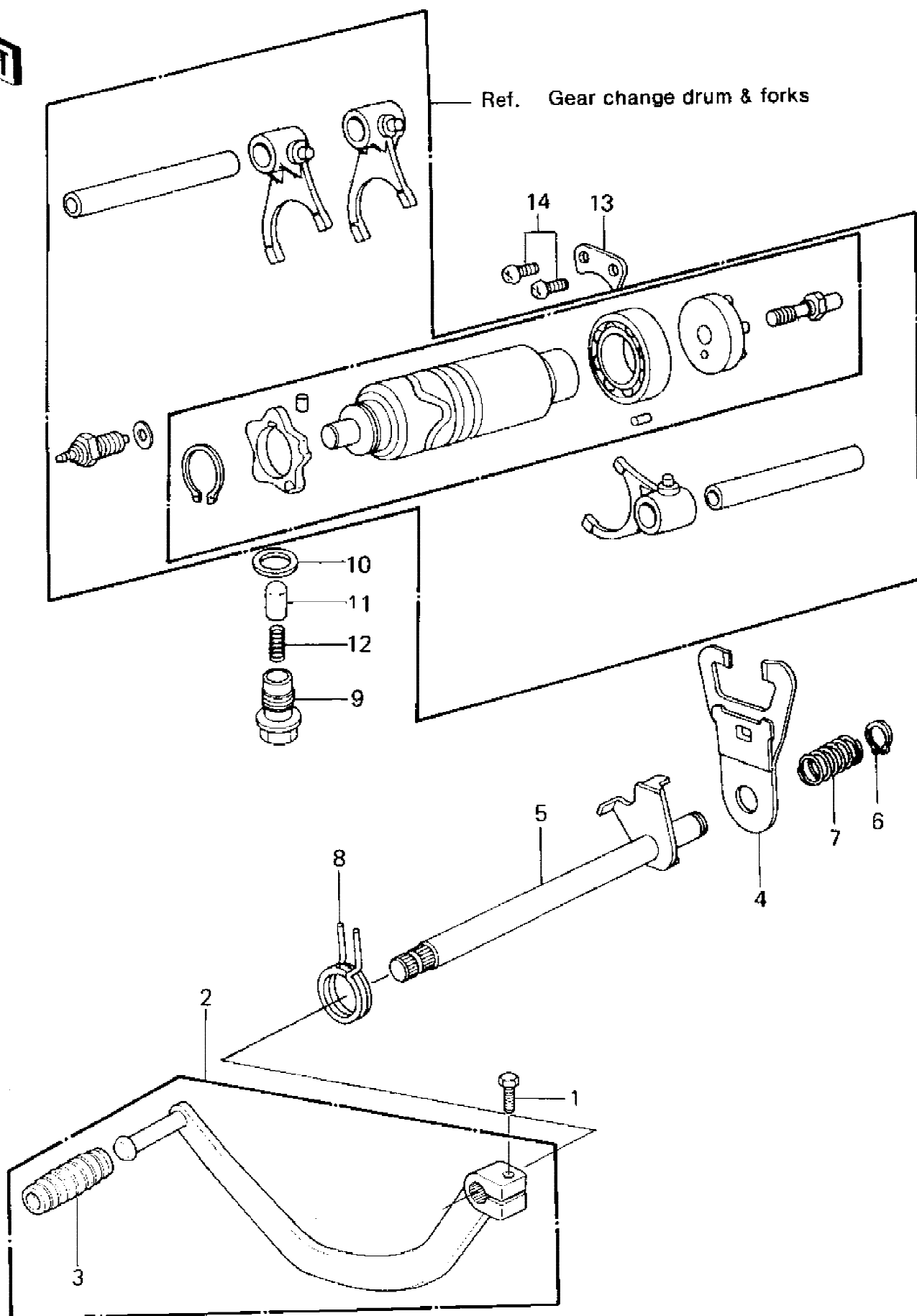


Ref #	Part Number	Qty	Description
1	13151-1007	1	SWITCH,NEUTRAL
2	13239-1036	1	DRUM ASSY,GEAR SHIFT
3	13142-019	1	PLATE,GEAR CHANGE
4	13145-1002	1	DISK,SHIFT DRUM
5	480J2400	1	CIRCLIP 24MM
6	610A0406	2	PIN-DOWEL,4X6
7	92001-166	1	BOLT
8	92045-036	1	BEARING,BALL,#6905
9	13140-073	1	SHIFT FORK,LOW
10	13140-074	1	SHIFT FORK,2ND&3RD
11	13140-075	1	SHIFT FORK,4TH&TOP
12	49047-1003	1	ROD,SHIFT 93.7M/M
13	49047-1002	1	ROD,SHIFT 71.7M/M
14	92065-058	1	GASKET CHECK VALVE

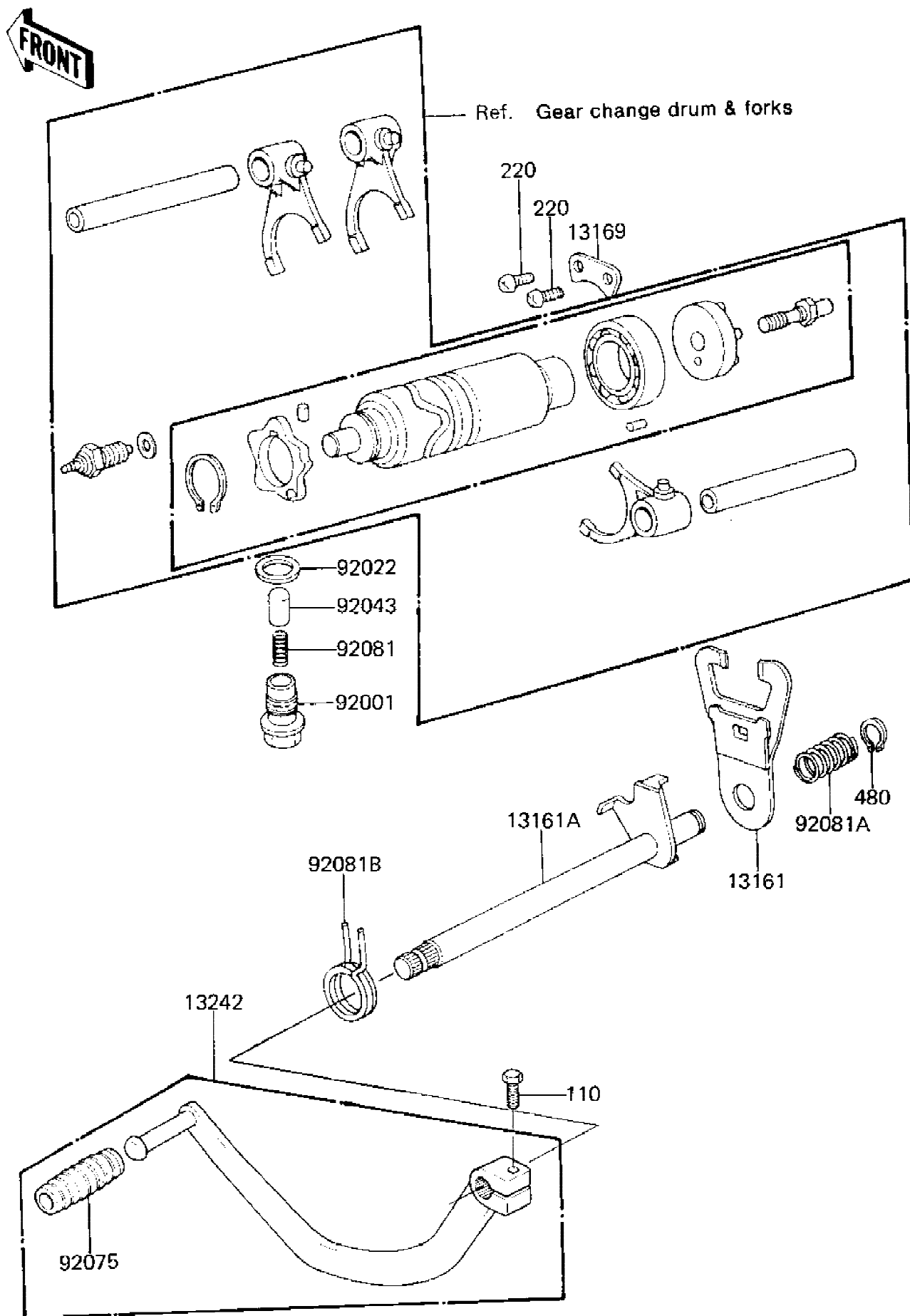


Ref #	Part Number	Qty	Description
13091	13142-019	1	PLATE,GEAR CHANGE
13140	13140-073	1	SHIFT FORK,LOW
13140A	13140-074	1	SHIFT FORK,2ND&3RD
13140B	13140-075	1	SHIFT FORK,4TH&TOP
13145	13145-1002	1	DISK,SHIFT DRUM
13151	13145-1002	1	DISK,SHIFT DRUM
13239	13239-1036	1	DRUM ASSY,GEAR SHIFT
49047	49047-1002	1	ROD,SHIFT 71.7M/M
49047A	49047-1003	1	ROD,SHIFT 93.7M/M
92001	92001-166	1	BOLT
92022	92065-058	1	GASKET CHECK VALVE
92045	92045-036	1	BEARING,BALL,#6905
480	480J2400	1	CIRCLIP 24MM
610	610A0406	2	PIN-DOWEL,4X6

FRONT

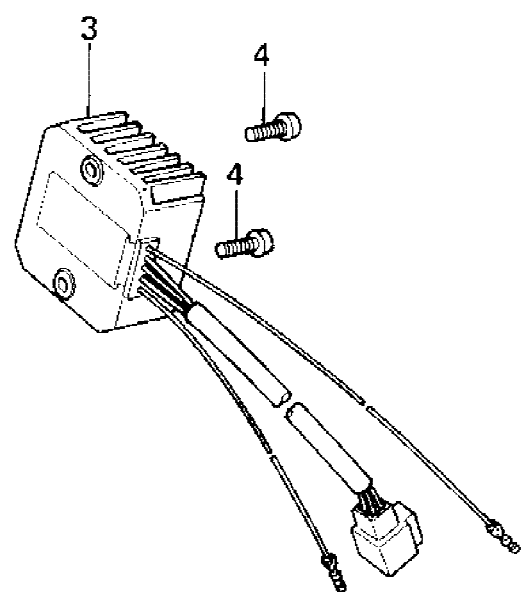
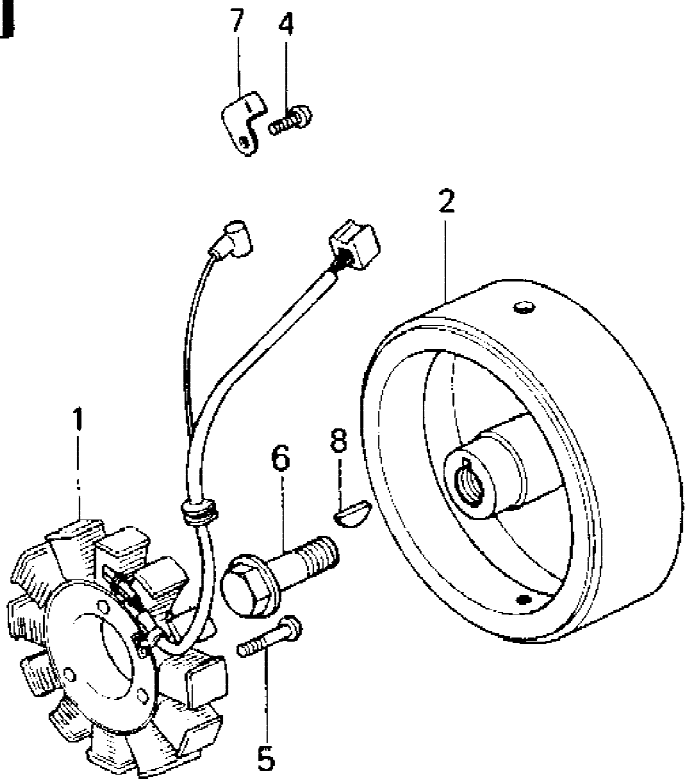


Ref #	Part Number	Qty	Description
1	112G0620	1	BOLT-UPSET,6X20
2	13242-1020	1	LEVER ASSY,GEAR SHIFT
3	92160-1036	1	DAMPER,CHANGE PEDAL
4	13161-044	1	LEVER ASSY,GEAR SHIFT
5	13161-1013	1	LEVER ASSY,GEAR SHIFT
6	480J1300	1	CIRCLIP,13MM
7	92081-149	1	SPRING,COIL
8	92083-028	1	SPRING,CHG PEDL RTRN
9	92001-182	1	BOLT,NEUTRAL POSITION
10	92022-324	1	WASHER,PLAIN
11	92043-131	1	PIN,NEUTRAL POSITIONG
12	92081-112	1	SPRING
13	13169-014	1	PLATE,GEAR CHANGE
14	220B0614	2	SCREW PAN HEAD 6X14

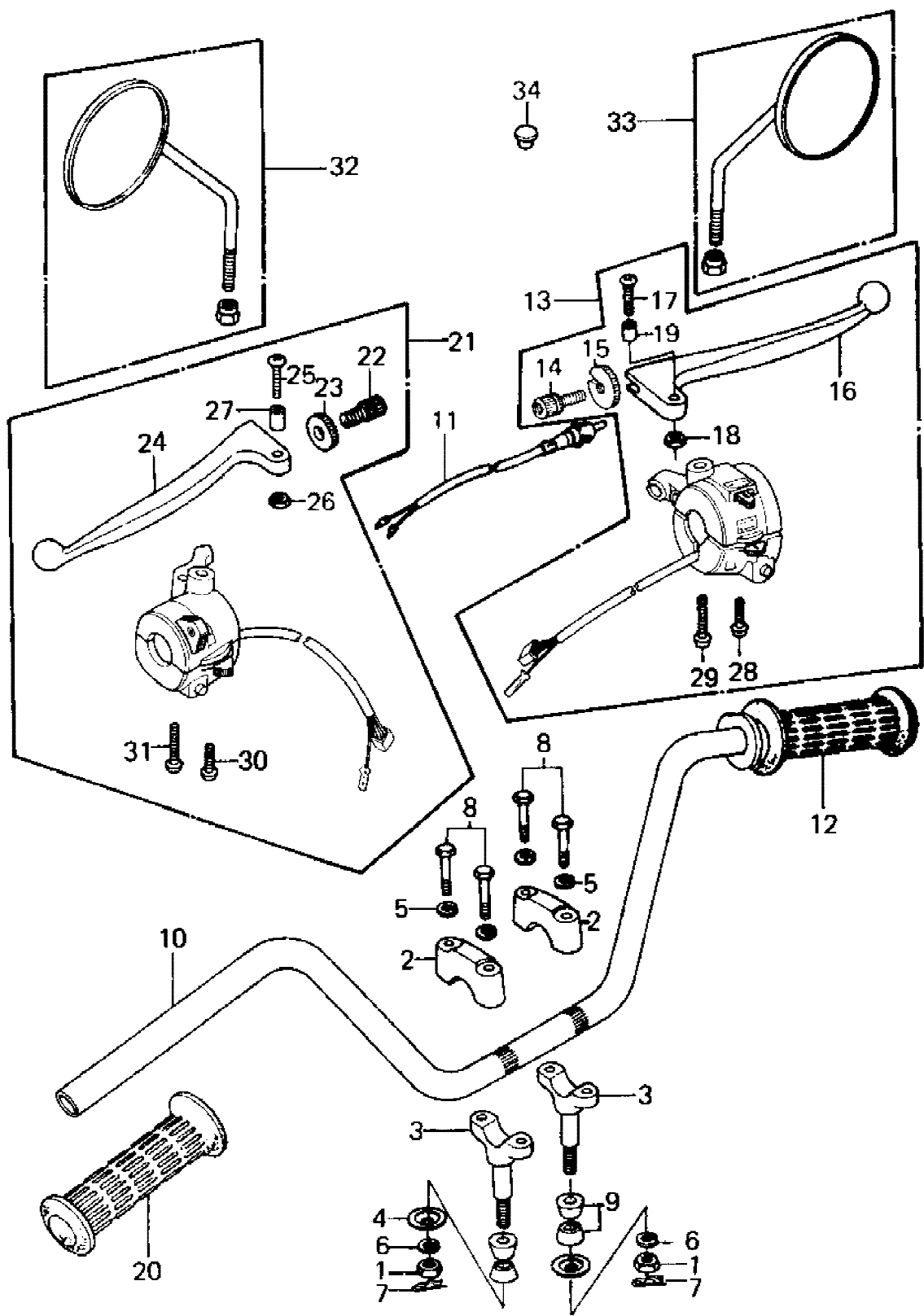


Ref #	Part Number	Qty	Description
13161	13161-044	1	LEVER ASSY,GEAR SHIFT
13161A	13161-1013	1	LEVER ASSY,GEAR SHIFT
13169	13169-014	1	PLATE,GEAR CHANGE
13242	13242-1020	1	LEVER ASSY,GEAR SHIFT
92001	92001-182	1	BOLT,NEUTRAL POSITION
92022	92022-324	1	WASHER,PLAIN
92043	92043-131	1	PIN,NEUTRAL POSITIONG
92075	92160-1036	1	DAMPER,CHANGE PEDAL
92081	92081-112	1	SPRING
92081A	92081-149	1	SPRING,COIL
92081B	92083-028	1	SPRING,CHG PEDL RTRN
110	112G0620	1	BOLT-UPSET,6X20
220	220B0614	2	SCREW PAN HEAD 6X14
480	480J1300	1	CIRCLIP,13MM

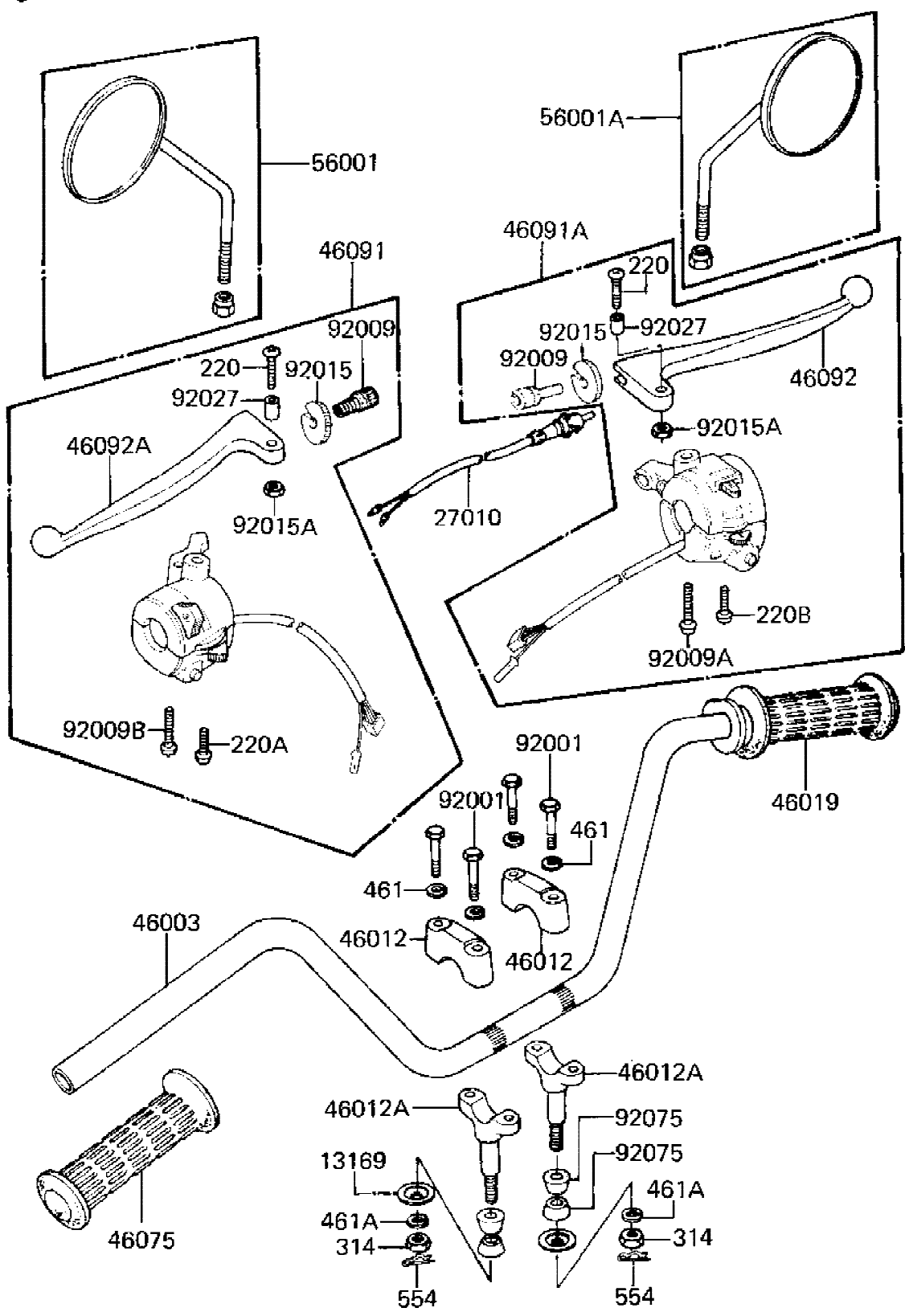
FRONT



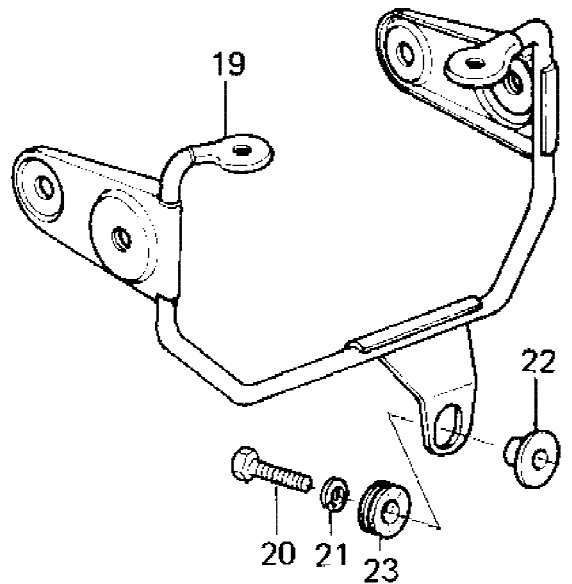
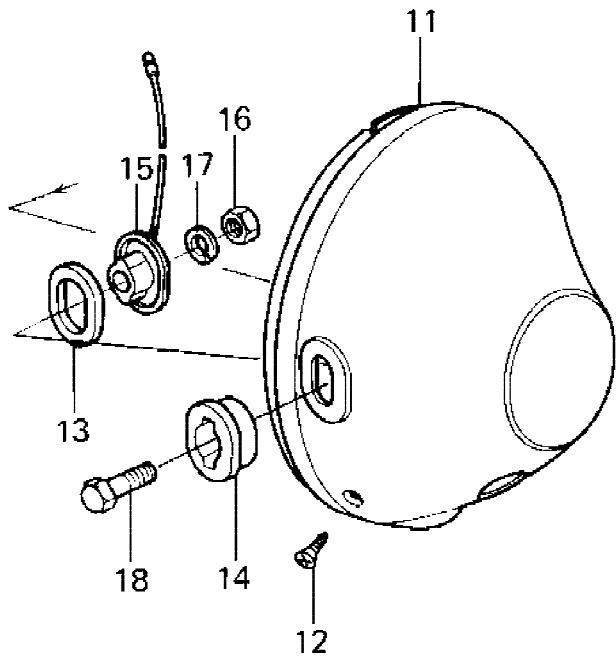
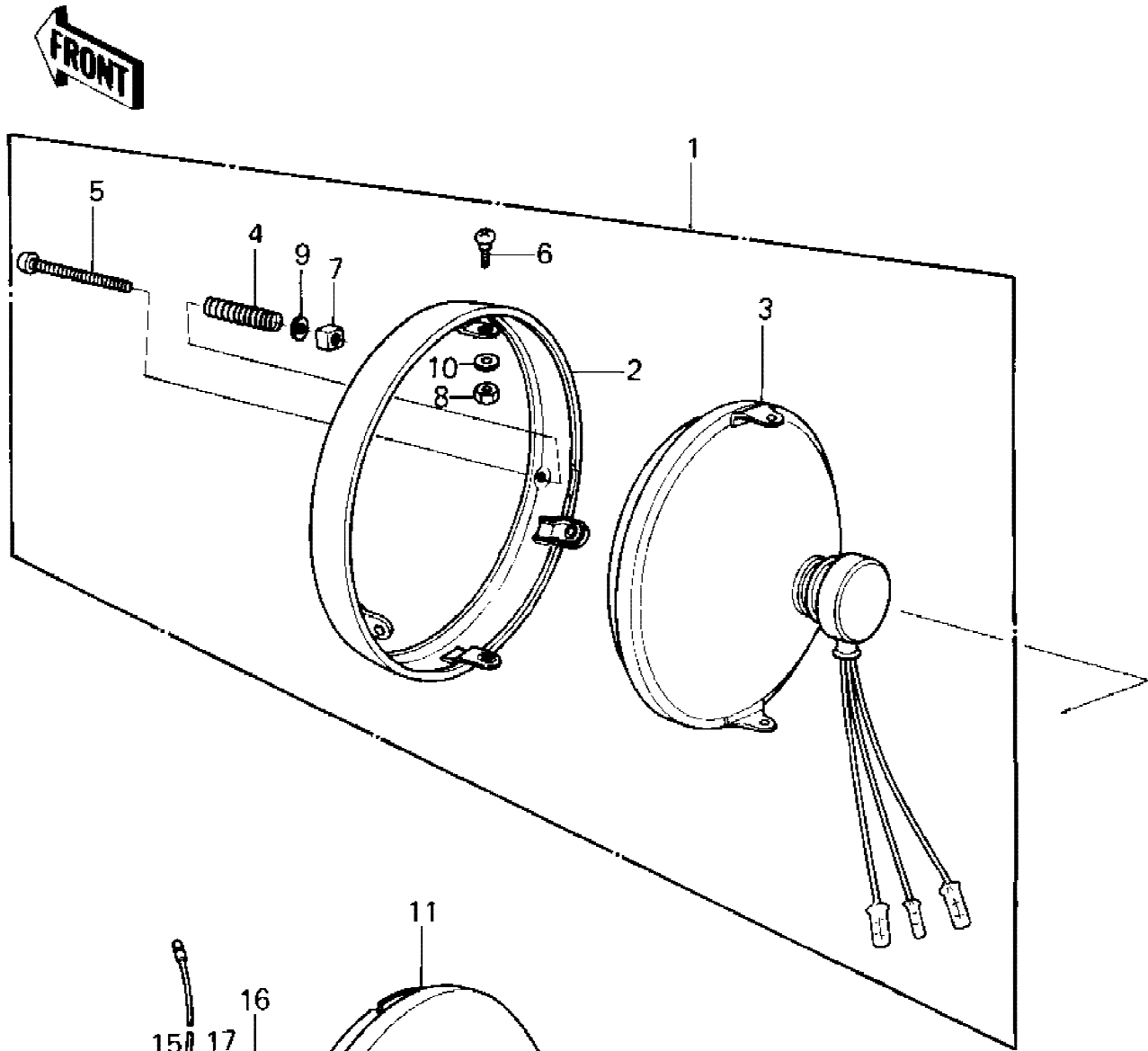
Ref #	Part Number	Qty	Description
1	21003-1002	1	STATOR ASSY
2	21007-1030	1	ROTOR
3	21066-1014	1	REGULATOR,VOLTAGE
4	220B0614	3	SCREW PAN HEAD 6X14
5	220B0625	3	SCREW PAN HEAD 6X25
6	92001-1201	1	BOLT,10X40
7	92037-194	1	CLAMP
8	92038-001	1	WOODRUFF KEY



Ref #	Part Number	Qty	Description
1	314B1000	2	NUT,10MM
2	46012-008	2	HOLDER-HANDLEBAR
3	46012-010	2	HOLDER-HANDLEBAR LOW
4	46016-003	2	CAP HANDLEBAR HOLDER
5	461F0800	4	WASHER SPRING 8MM
6	461F1000	2	WASHER SPRING 10MM
7	554A0800	2	PIN,SNAP
8	92001-1405	4	BOLT 8X38
9	92075-039	4	DAMPER RUBBER HANDLE
10	46003-1045	1	HANDLEBAR
11	27021-004	1	SWITCH-FR. BRAKE LAMP
12	46019-041	1	GRIP ASSY,THROTTLE
13	46091-1084	1	HOUSING ASSY,R.H
14	46055-003	1	SCREW CABLE ADJUST
15	46056-005	1	NUT-LOCK
16	46058-019	1	LEVER,FRONT BRAKE
17	220B0522	1	SCREW PAN HEAD 5X22
18	92019-014	1	NUT-LOCK,5MM
19	92027-1042	1	COLLAR, LEVER
20	46075-028	1	RUBBER,L.H GRIP
21	46091-1085	1	HOUSING.ASSY,L.H
22	46055-003	1	SCREW CABLE ADJUST
23	46056-005	1	NUT-LOCK
24	46092-024	1	LEVER,CLUTCH
25	220B0522	1	SCREW PAN HEAD 5X22
26	92019-014	1	NUT-LOCK,5MM
27	92027-1042	1	COLLAR,LEVER
28	220B0530	1	SCREW PAN HEAD 5X30
29	92009-1017	1	SCREW,PAN HEAD,5X48
30	220B0525	1	SCREW-PAN-CROS,5X25
31	92009-1018	1	SCREW,PAN HEAD,5X38
32	56001-1055	1	REAR VIEW MIRROR,L.H.
33	56001-1054	1	REAR VIEW MIRROR,R.H.
34	92102-009	1	CAP-RR VIEW MIRROR



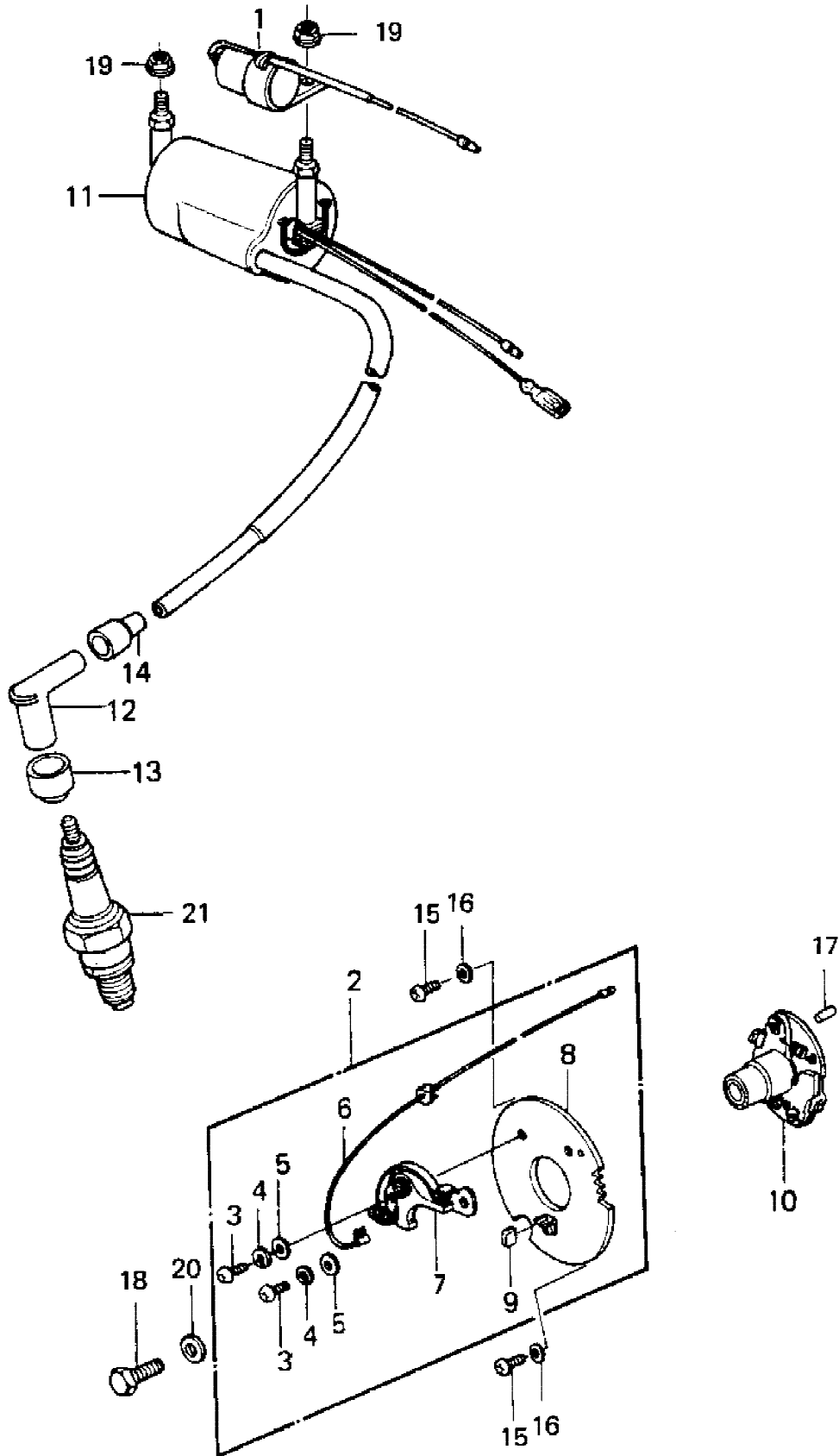
Ref #	Part Number	Qty	Description
13169	46016-003	2	CAP HANDLEBAR HOLDER
27010	27021-004	1	SWITCH-FR. BRAKE LAMP
46003	46003-1045	1	HANDLEBAR
46012	46012-008	2	HOLDER-HANDLEBAR
46012A	46012-010	2	HOLDER-HANDLEBAR LOW
46019	46019-041	1	GRIP ASSY, THROTTLE
46075	46075-028	1	RUBBER, L.H GRIP
46091	46091-1085	1	HOUSING.ASSY, L.H
46091A	46091-1136	1	HOUSING-ASSY-CONTROL
46092	46058-019	1	LEVER, FRONT BRAKE
46092A	46092-024	1	LEVER, CLUTCH
56001	56001-1055	1	REAR VIEW MIRROR, L.H.
56001A	56001-1077	1	MIRROR-ASSY, RH
92001	92001-1405	4	BOLT 8X38
92009	46055-003	2	SCREW CABLE ADJUST
92009A	92009-1017	1	SCREW, PAN HEAD, 5X48
92009B	92009-1018	1	SCREW, PAN HEAD, 5X38
92015	46056-005	2	NUT-LOCK
92015A	92019-014	2	NUT-LOCK, 5MM
92027	92027-1042	2	COLLAR, LEVER
92075	92075-039	4	DAMPER RUBBER HANDLE
220	220B0522	2	SCREW PAN HEAD 5X22
220A	220B0525	1	SCREW-PAN-CROS, 5X25
220B	220B0530	1	SCREW PAN HEAD 5X30
314	314B1000	2	NUT, 10MM
461	461F0800	4	WASHER SPRING 8MM
461A	461F1000	2	WASHER SPRING 10MM
554	554A0800	2	PIN, SNAP



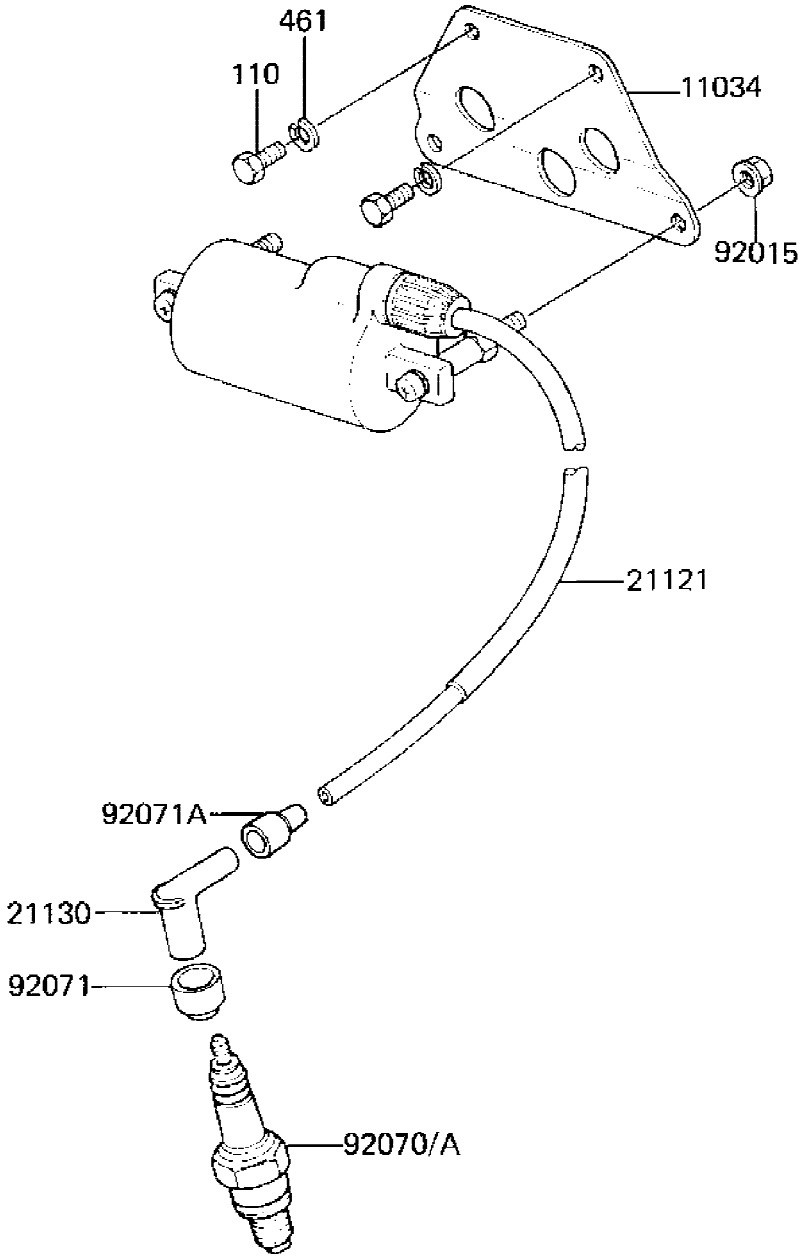
Ref #	Part Number	Qty	Description
1	23003-025	1	LAMP UNIT,HEAD
2	23006-034	1	RIM-HEAD LAMP
3	23007-043	1	SEALED BEAM UNIT
4	23014-005	1	SPRING FOCUS ADJUST
5	23019-021	1	SCREW FORCUS ADJUST
6	23019-023	2	SCREW-PAN HEAD,5X12
7	23020-018	1	NUT,4MM
8	23020-023	2	NUT,HEAD LAMP RIM FIT
9	23021-004	1	WASHER
10	23021-012	2	WASHER-PLAIN,5MM
11	23005-1013	1	BODY,HEAD LAMP BLACK
12	23019-022	2	SCREW,PAN HEAD,5X14
13	23066-001	2	DAMPER RUBBER A
14	23066-005	2	DAMPER RUBBER
15	23076-005	2	COLLAR
16	315B1000	2	NUT 10MM
17	461F1000	2	WASHER SPRING 10MM
18	92007-041	2	BOLT,HEX HEAD,10X30
19	11034-1691	1	BRACKET,HEAD LAMP
20	112G0625	1	BOLT-UPSET
21	461F0600	1	WASHER SPRING 6MM
22	92027-251	1	COLLAR
23	92075-209	1	DAMPER RUBBER,RR FENR

There is no diagram for this group. It has a parts list only. Press F11 to see the parts list.

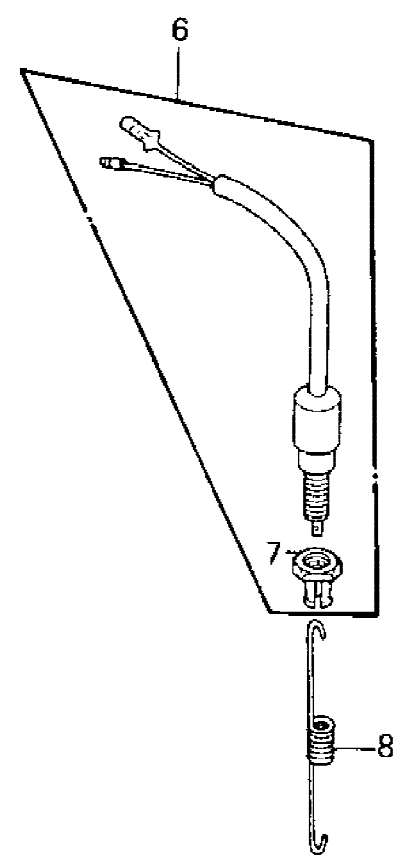
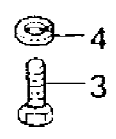
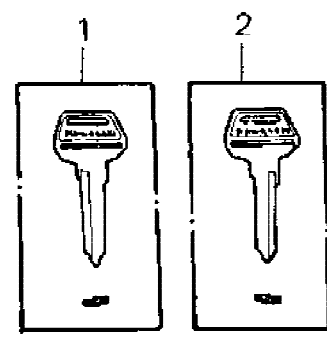
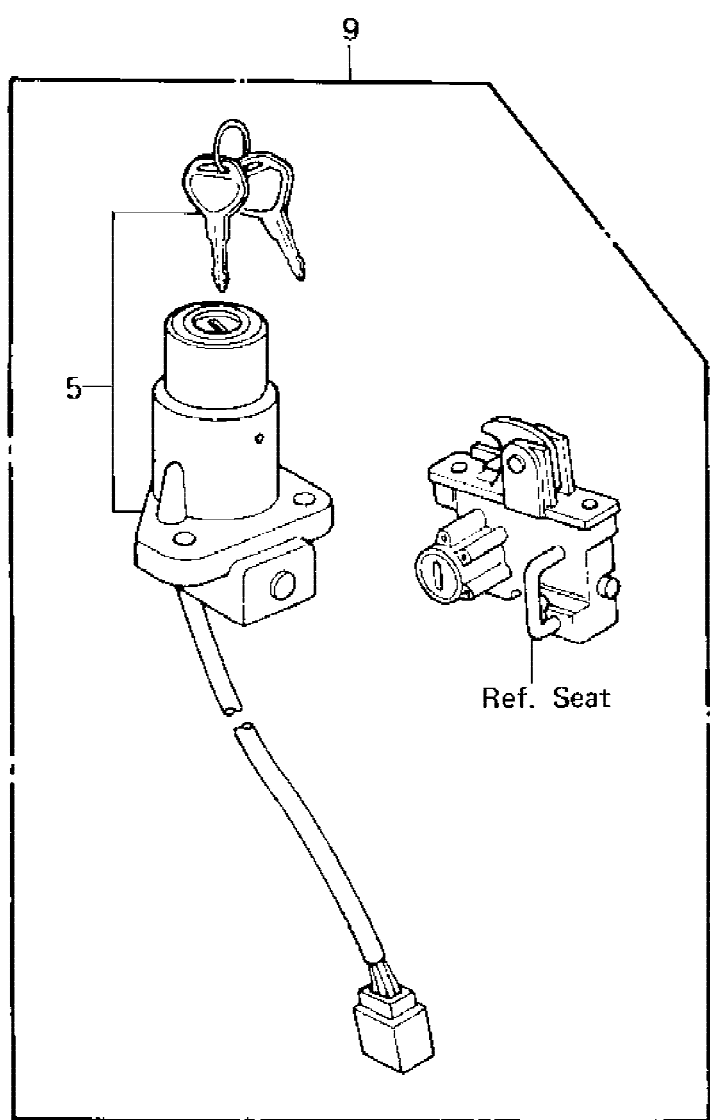
Ref #	Part Number	Qty	Description
11034	11034-1691	1	BRACKET,HEAD LAMP
23004	23003-025	1	LAMP UNIT,HEAD
23005	23005-1013	1	BODY,HEAD LAMP BLACK
23006	23006-034	1	RIM-HEAD LAMP
23007	23007-043	1	SEALED BEAM UNIT
92001	92007-041	2	BOLT,HEX HEAD,10X30
92009	23019-021	1	SCREW FORCUS ADJUST
92009A	23019-022	2	SCREW,PAN HEAD,5X14
92009B	23019-023	2	SCREW-PAN HEAD,5X12
92015	23020-018	1	NUT,4MM
92015A	23020-023	2	NUT,HEAD LAMP RIM FIT
92022	23021-004	1	WASHER
92022A	23021-012	2	WASHER-PLAIN,5MM
92027	23076-005	2	COLLAR
92027A	92027-251	1	COLLAR
92075	23066-001	2	DAMPER RUBBER A
92075A	23066-005	2	DAMPER RUBBER
92075B	92075-209	1	DAMPER RUBBER,RR FENR
92081	23014-005	1	SPRING FOCUS ADJUST
1110	112G0625	1	BOLT-UPSET
315	315B1000	2	NUT 10MM
461	461F0600	1	WASHER SPRING 6MM
461A	461F1000	2	WASHER SPRING 10MM



Ref #	Part Number	Qty	Description
1	21013-036	1	CONDENSER
2	21135-013	1	BREAKER ASSY, CONTACT
3	220B0406	2	SCREW PAN HEAD 4X6
4	461F0400	2	WASHER SPRING 4MM
5	410B0400	2	WASHER PLAIN 4MM
6	26001-1020	1	WIRING HARNESS,CONTAC
7	21008-1002	1	BREAKER,CONTACT
8	21021-1001	1	BASE,CONTACT BREAKER
9	21019-005	1	FELT OIL
10	21148-1015	1	ADVANCER,AUT TIMMING
11	21121-1026	1	COIL,IGNITION
12	21130-1007	1	CAP-SPARK PLUG,RTFM20
13	21131-004	1	GROMMET-PLUG CAP,A
14	21132-005	1	GROMMET,SPARK PLG CAP
15	220B0610	2	SCREW PAN HEAD 6X10
16	410B0600	2	WASHER PLAIN 6MM
17	551A0308	1	PIN DOWEL 3X8
18	92003-221	1	BOLT,6X14
19	92015-1078	2	NUT-6MM
20	92022-323	1	WASHER,PLAIN
21	B7ES	1	SPARK PLUG B7ES LOCAL PROCUREMENT ITEM



Ref #	Part Number	Qty	Description
11034	11034-1920	1	BRACKET,IGNITION COIL
21121	21121-1043	1	COIL-IGNITION
21130	21130-1007	1	CAP-SPARK PLUG,RTFM20
92015	92015-1078	2	NUT-6MM
92070	B7ES	1	SPARK PLUG B7ES
92071	21131-004	1	GROMMET-PLUG CAP,A
92071A	21132-005	1	GROMMET,SPARK PLG CAP
110	112G0616	2	BOLT-UPSET,6X16
461	461F0600	2	WASHER SPRING 6MM

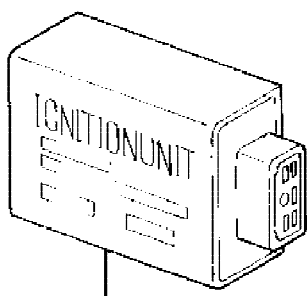


Ref #	Part Number	Qty	Description
1	27008-1034	1	KEY,BLANK
2	27008-1035	1	KEY,BLANK
3	112G0616	2	BOLT-UPSET,6X16
4	461F0600	2	WASHER SPRING 6MM
5	27005-1031	1	SWITCH ASSY,IGNITION
6	27010-025	1	SWITCH,BRAKE LIGHT
7	27037-001	1	NUT,BRAKE LAMP SWITCH
8	27011-017	1	SPRING,BRAKE LAMP SN
9	27004-5068	1	LOCK ASSY

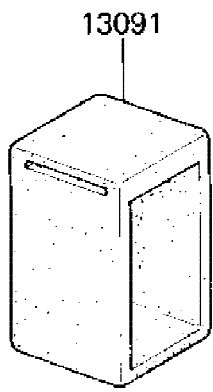
There is no diagram for this group. It has a parts list only. Press F11 to see the parts list.

Ref #	Part Number	Qty	Description
27004	27004-5111	1	SWITCH-ASSY
27005	27005-1031	1	SWITCH ASSY,IGNITION
27008	27008-1034	1	KEY,BLANK (OPTION)
27008A	27008-1035	1	KEY,BLANK (OPTION)
27010	27010-025	1	SWITCH,BRAKE LIGHT
27016	27016-5029	1	LOCK-ASSY,HELMET
28001	28001-1012	1	REFLECTOR ASSY,RR
28012	28012-016	2	REFLECTOR,REFLEX
28012A	28012-1005	1	REFLECTOR,REAR REFLEX
92015	27037-001	1	NUT,BRAKE LAMP SWITCH
92075	92094-011	2	DAMPER RUBBER,REFLECT
92081	27011-017	1	SPRING,BRAKE LAMP SN
1110	112G0612	2	BOLT-UPSET,6X12
1110A	112G0616	2	BOLT-UPSET,6X16
311	311B0500	2	NUT,5MM
311A	311B0600	2	NUT 6MM
411	411B0600	2	WASHER PLAIN 6MM
461	461F0500	2	WASHER SPRING 5MM
461A	461F0600	4	WASHER SPRING 6MM

E1810-0005



21119

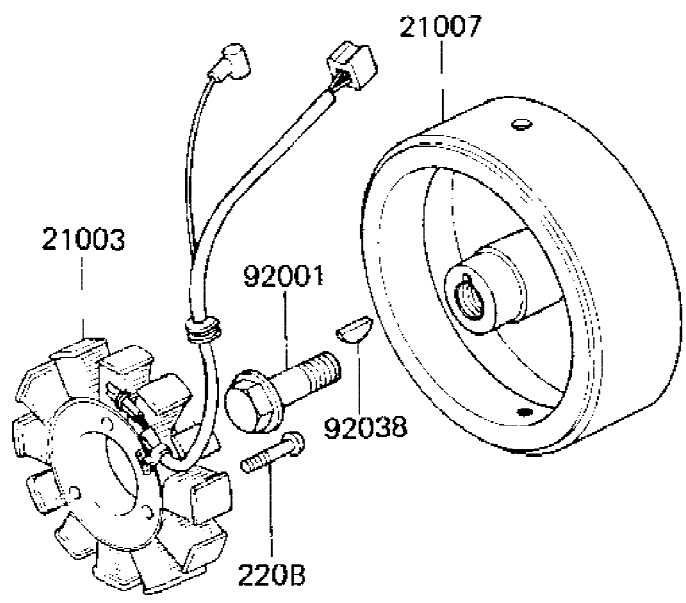


13091



92037

220A



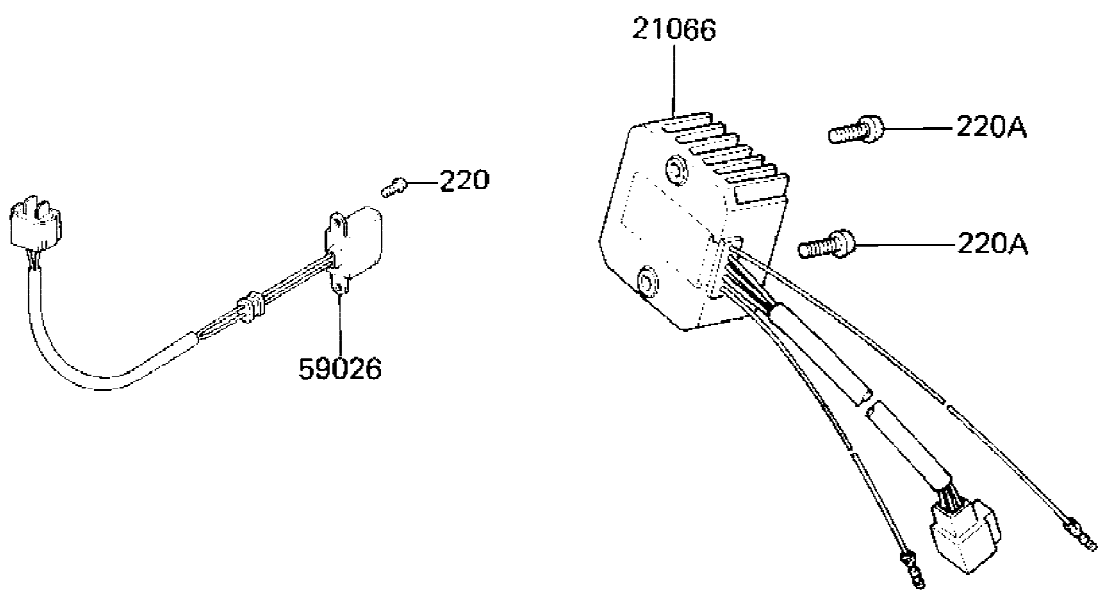
21003

92001

92038

220B

21007



21086

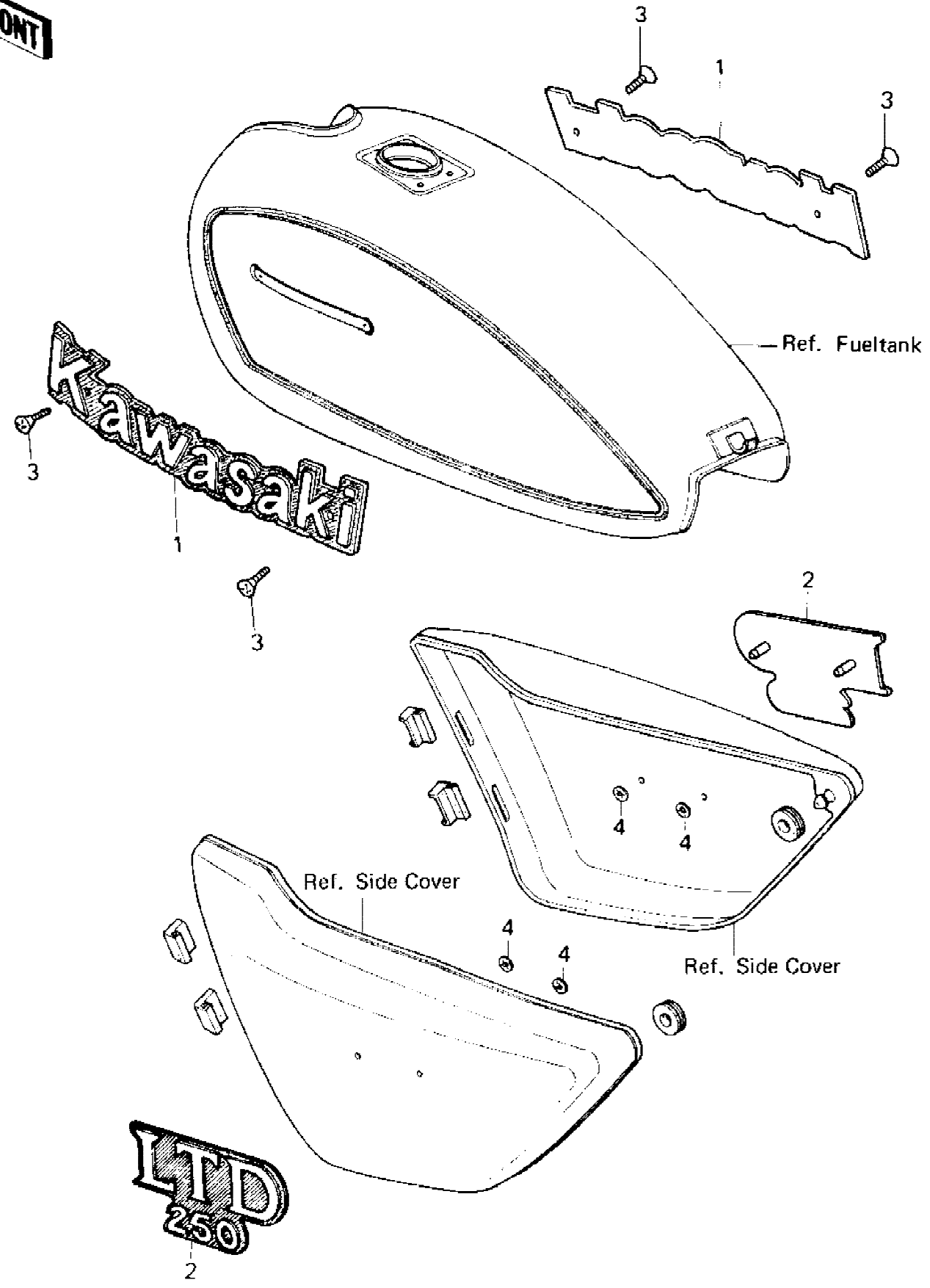
220A

220A

220

59026

Ref #	Part Number	Qty	Description
13091	13091-1095	1	HOLDER
21003	21003-1002	1	STATOR ASSY
21007	21007-1032	1	ROTOR
21066	21066-1014	1	REGULATOR,VOLTAGE
21119	21119-1193	1	IGNITER
59026	59026-1013	1	COIL-PULSING
92001	92001-1201	1	BOLT,10X40
92037	92037-194	1	CLAMP
92038	92038-001	1	WOODRUFF KEY
2220	220B0508	2	SCREW PAN HEAD 5X8
2220A	220B0614	3	SCREW PAN HEAD 6X14
2220B	220B0625	3	SCREW PAN HEAD 6X25

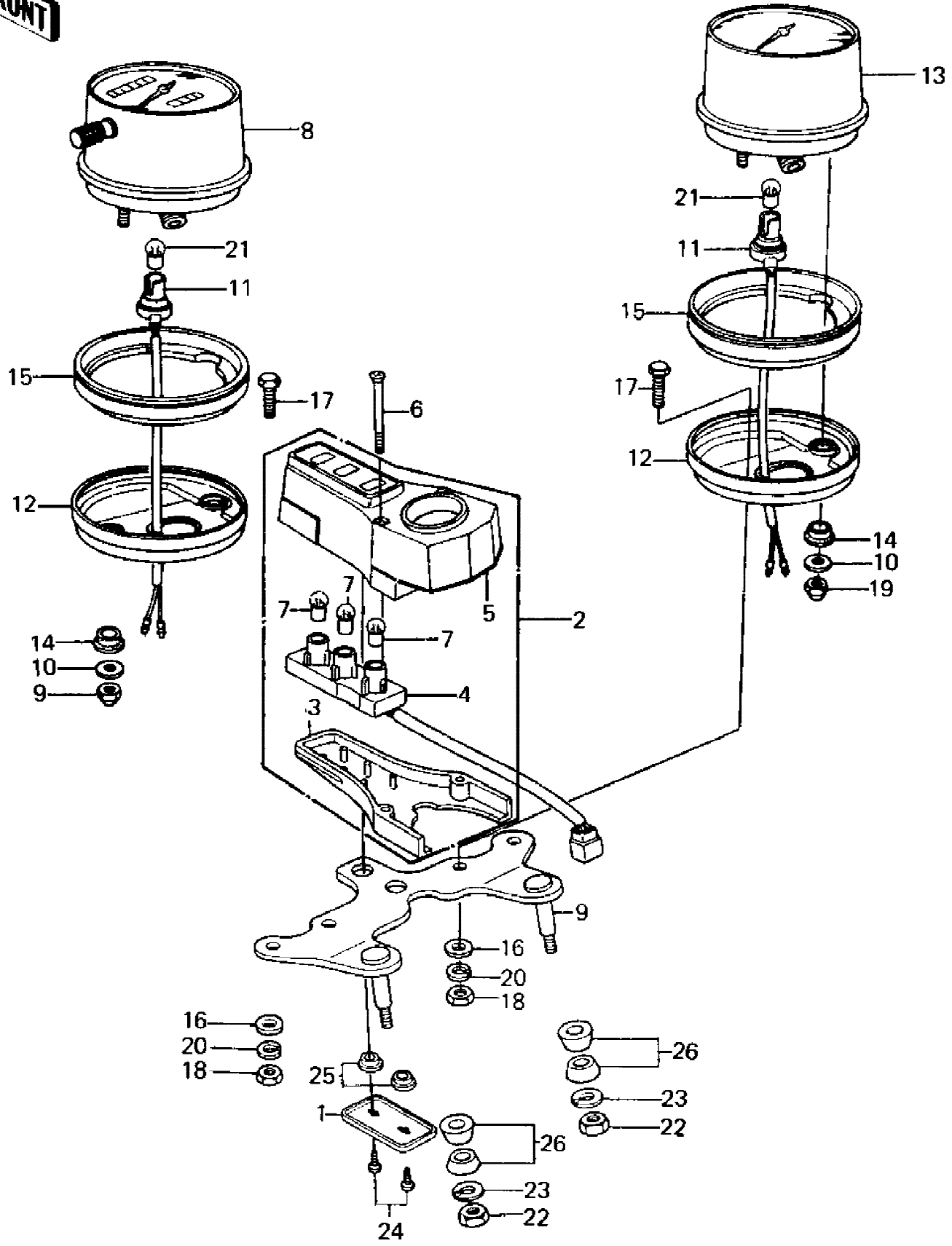


Ref #	Part Number	Qty	Description
1	56014-1038	2	EMBLEM,FUEL TANK
2	56018-1162	2	MARK SIDE COVER
3	221C0306	4	SCREW-CSK-CROS
4	92018-005	4	NUT,LOCK,3MM

There is no diagram for this group. It has a parts list only. Press F11 to see the parts list.

Ref #	Part Number	Qty	Description
56014	56014-1042	2	EMBLEM,FUEL TANK
56018	56018-1210	2	MARK
92009	221C0306	4	SCREW-CSK-CROS
92015	92018-005	4	NUT,LOCK,3MM

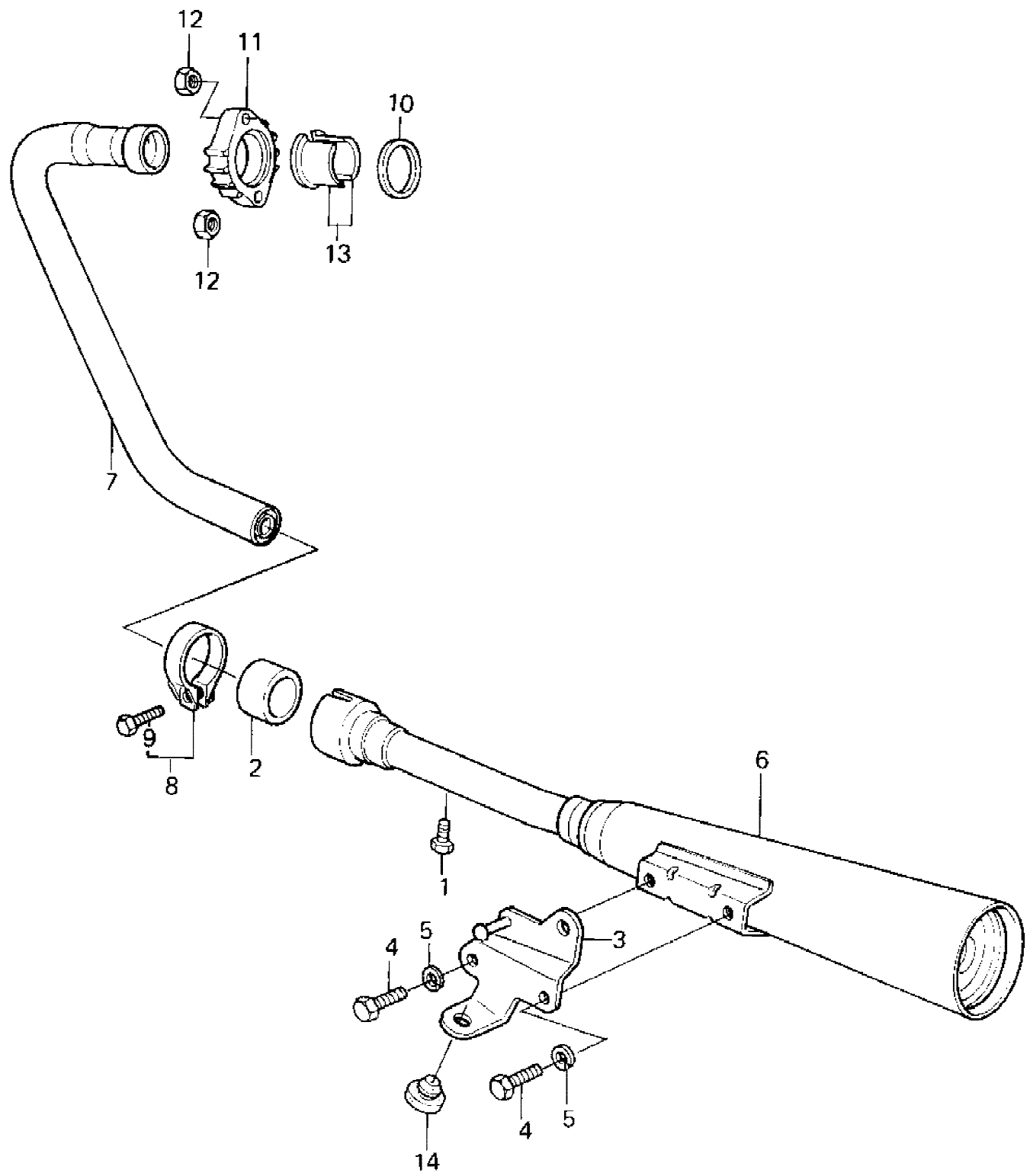
FRONT



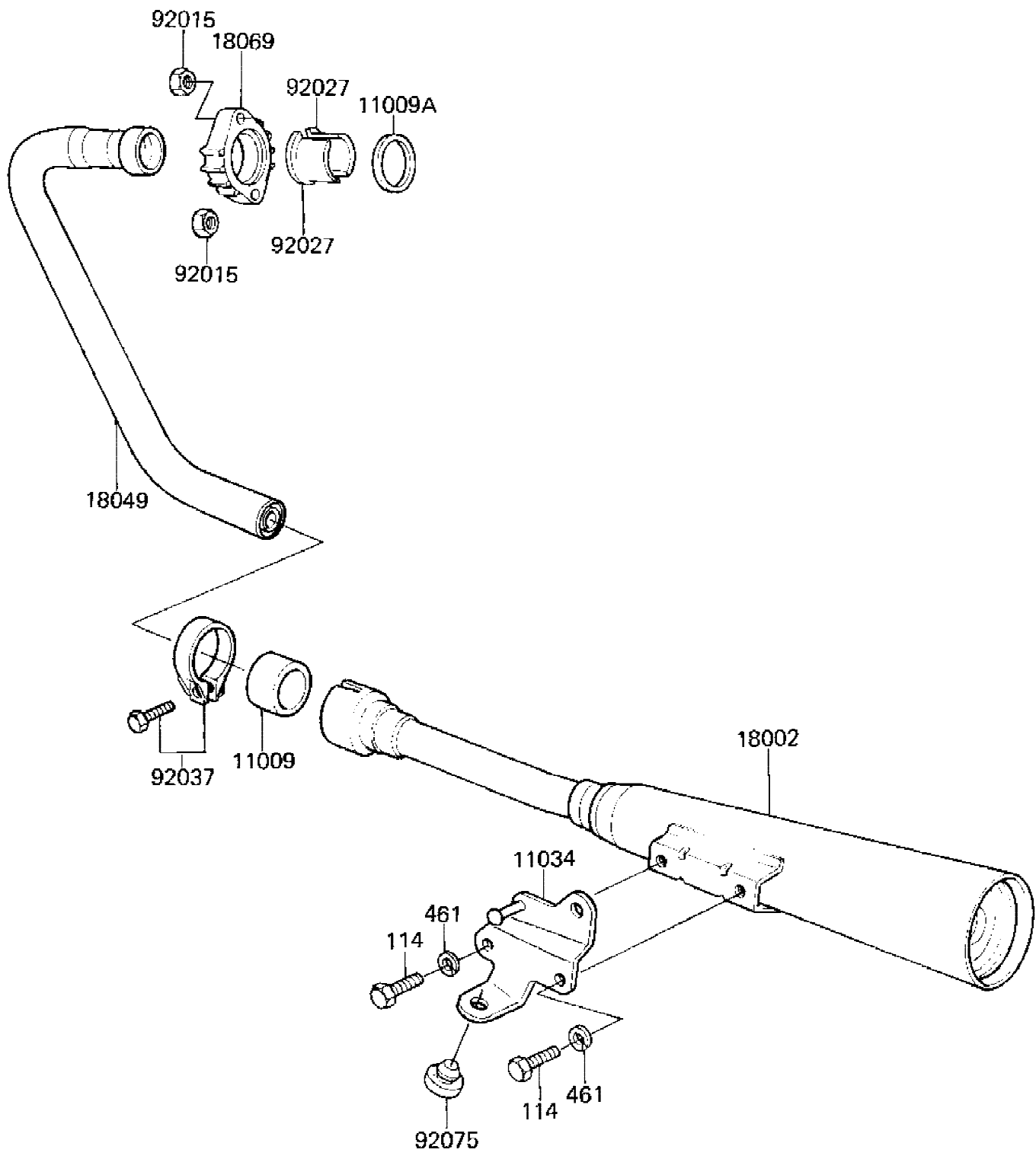
Ref #	Part Number	Qty	Description
1	13169-1136	1	PLATE,PILOT LAMP
2	23016-1017	1	LAMP ASSY,PILOT
3	14025-1101	1	COVER,METER BRACKET
4	25011-056	1	SOCKET ASSY,INDICATOR
5	25023-1018	1	COVER,INDICATOR LAMP
6	222C0445	2	SCREW-CSK-RD-CROS,4X4
7	92069-018	3	BULB 12V 3W
8	25005-1060	1	SPEEDOMETER,MPH
8	25005-1072	1	SPEEDOMETER.ASSY,KPH
9	25008-1013	1	BRACKET,METER
10	25009-004	1	WASHER,5.2X16X16X1.2T
11	25010-022	2	SOCKET ASSY
12	25012-025	2	COVER,METER
13	25015-1016	1	TACHOMETER ASSY
14	25019-013	4	DAMPER RUBBER-METER
15	25019-031	2	SHOCK DAMPER,SPEEDMET
16	411B0600	4	WASHER PLAIN 6MM
17	92003-204	4	BOLT,HEX HEAD,6X14
18	92015-078	4	NUT
19	322N0500	4	NUT-CAP,5MM
20	461K0600	4	WASHER-SPRING,6MM,BLA
21	92069-018	2	BULB 12V 3W
22	311B0600	2	NUT 6MM
23	461F0600	2	WASHER SPRING 6MM
24	92009-1040	2	SCREW,TAPPING,4X10
25	92075-1138	2	DAMPER,PILOT LAMP
26	92075-248	4	DAMPER RUBBER,METER

There is no diagram for this group. It has a parts list only. Press F11 to see the parts list.

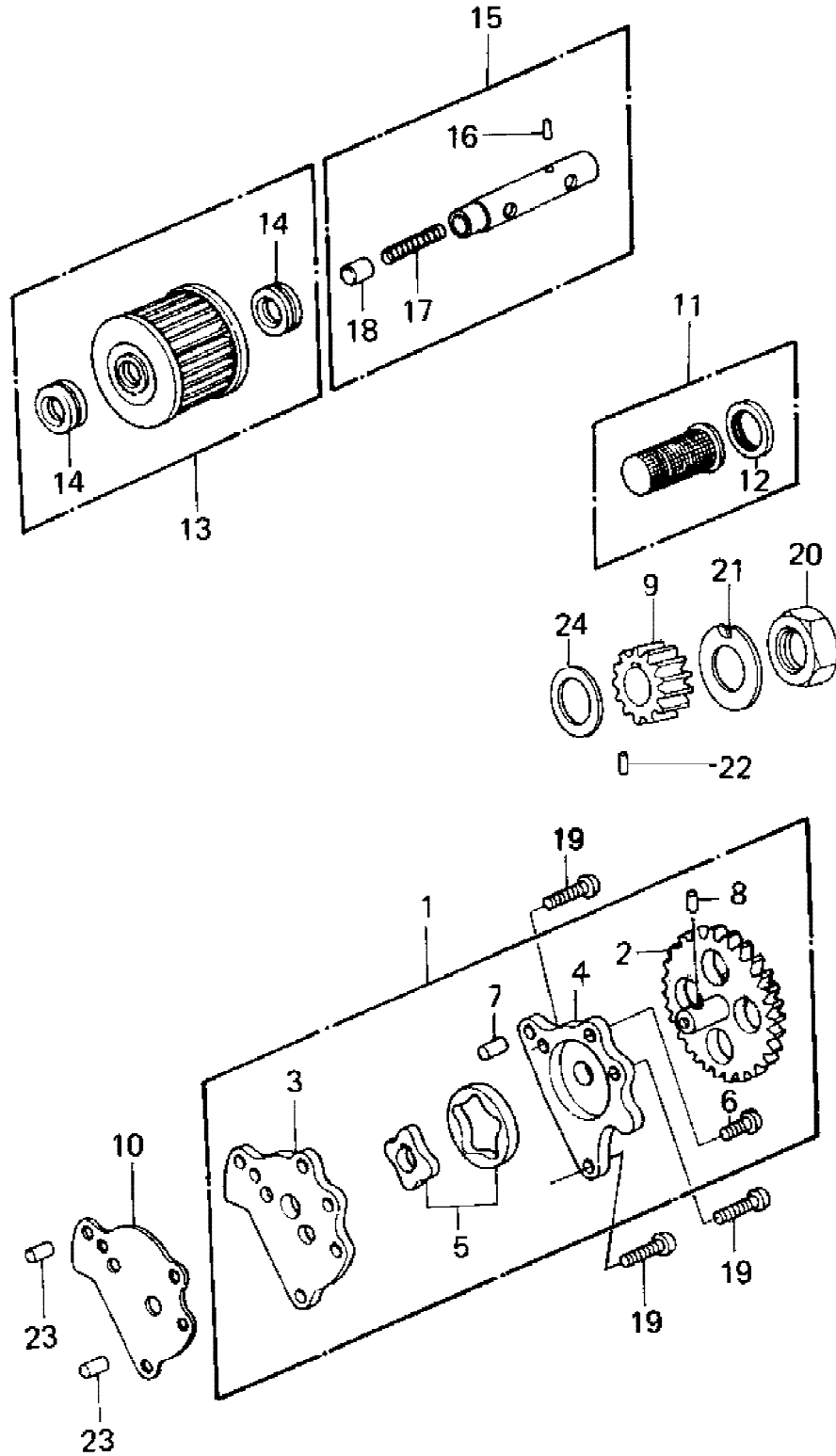
Ref #	Part Number	Qty	Description
13169	13169-1136	1	PLATE,PILOT LAMP
14025	14025-1101	1	COVER,METER BRACKET
14025A	25012-025	2	COVER,METER
23008	25010-022	2	SOCKET ASSY
23008A	25011-056	1	SOCKET ASSY,INDICATOR
23016	23016-1017	1	LAMP ASSY,PILOT
25005	25005-1060	1	SPEEDOMETER,MPH
25008	25008-1013	1	BRACKET,METER
25015	25015-1016	1	TACHOMETER ASSY
25023	25023-1018	1	COVER,INDICATOR LAMP
92001	92003-204	4	BOLT,HEX HEAD,6X14
92009	92009-1040	2	SCREW,TAPPING,4X10
92009A	222C0445	2	SCREW-CSK-RD-CROS,4X4
92015	92015-078	4	NUT
92015A	322C0500	4	NUT-CAP,5MM
92022	25009-004	4	WASHER,5.2X16X16X1.2T
92022A	461K0600	4	WASHER-SPRING,6MM,BLA
92069	92069-018	5	BULB 12V 3W
92075	25019-013	4	DAMPER RUBBER-METER
92075A	25019-031	2	SHOCK DAMPER,SPEEDMET
92075B	92075-1138	2	DAMPER,PILOT LAMP
92075C	92075-248	4	DAMPER RUBBER,METER
311	311B0600	2	NUT 6MM
411	411B0600	4	WASHER PLAIN 6MM
461	461F0600	2	WASHER SPRING 6MM



Ref #	Part Number	Qty	Description
1	110R0610	1	BOLT (6X10)
2	11060-1068	1	GASKET,MANIFOLD EXHAU
3	11034-1662	1	BRACKET,MUFFLER
4	110N0812	2	BOLT 8X12
5	461F0800	2	WASHER SPRING 8MM
6	18002-1448	1	BODY-COMP-MUFFLER
7	18049-1387	1	PIPE-EXHAUST
8	92037-1226	1	CLAMP
9	92001-1379	1	BOLT,8X30
10	11009-1866	1	GASKET,EXHAUST PIPE H
11	18069-1014	1	HOLDER EXHAUST PIPE
12	92015-1143	2	NUT-8MM
13	92027-264	2	COLLAR,EXHAUST PIPE
14	92075-015	1	DAMPER RUBB MAIN STAD

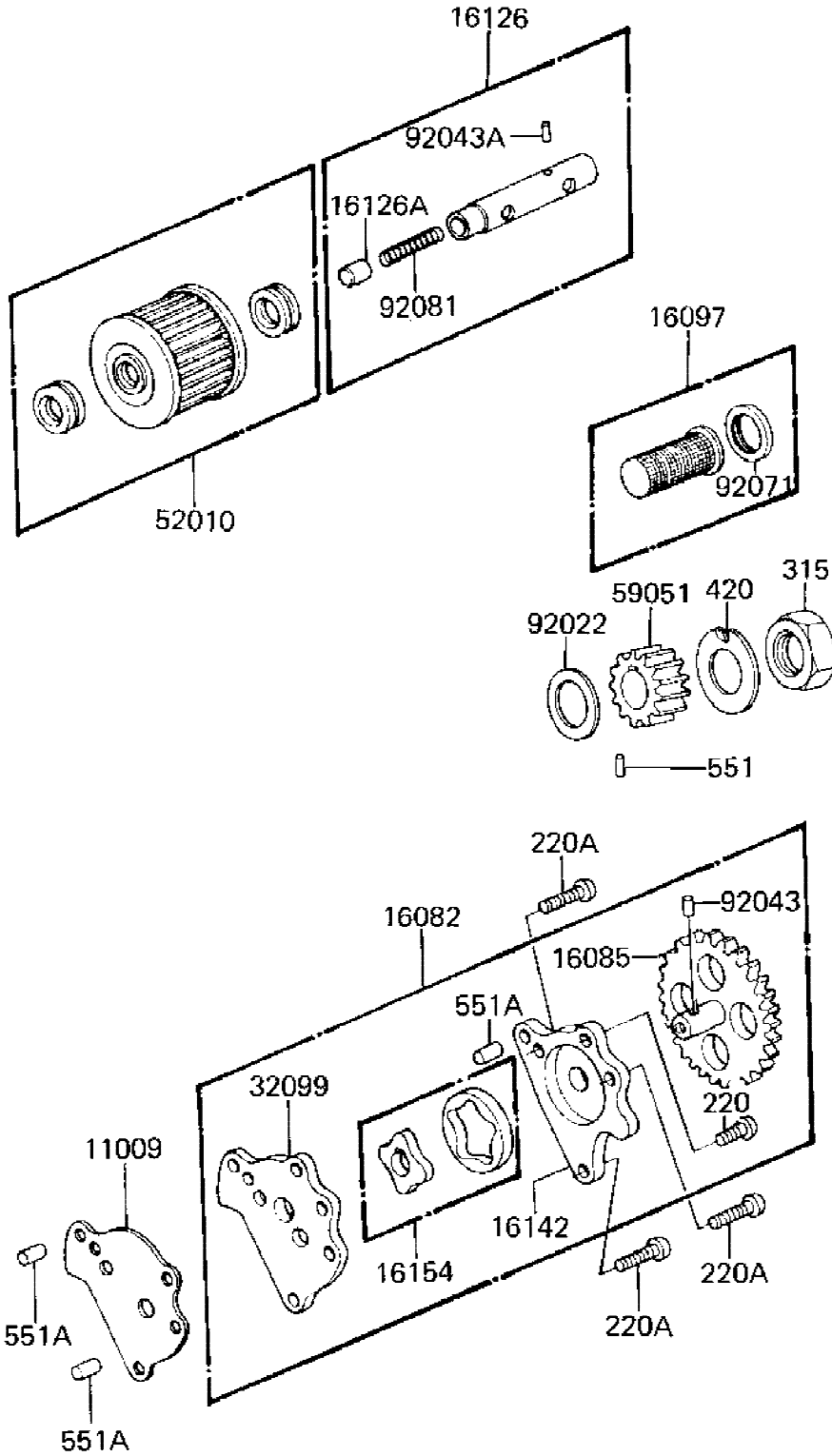


Ref #	Part Number	Qty	Description
11009	11060-1068	1	GASKET,MANIFOLD EXHAU
11009A	11009-1866	1	GASKET,EXHAUST PIPE H
11034	11034-1662	1	BRACKET,MUFFLER
18002	18002-1448	1	BODY-COMP-MUFFLER
18049	18049-1387	1	PIPE-EXHAUST
18069	18069-1014	1	HOLDER EXHAUST PIPE
92015	92015-1143	2	NUT-8MM
92027	92027-264	2	COLLAR,EXHAUST PIPE
92037	92037-1226	1	CLAMP
92075	92075-015	1	DAMPER RUBB MAIN STAD
114	115B0814	2	BOLT-SMALL-UPSET,8X14
461	461F0800	2	WASHER SPRING 8MM

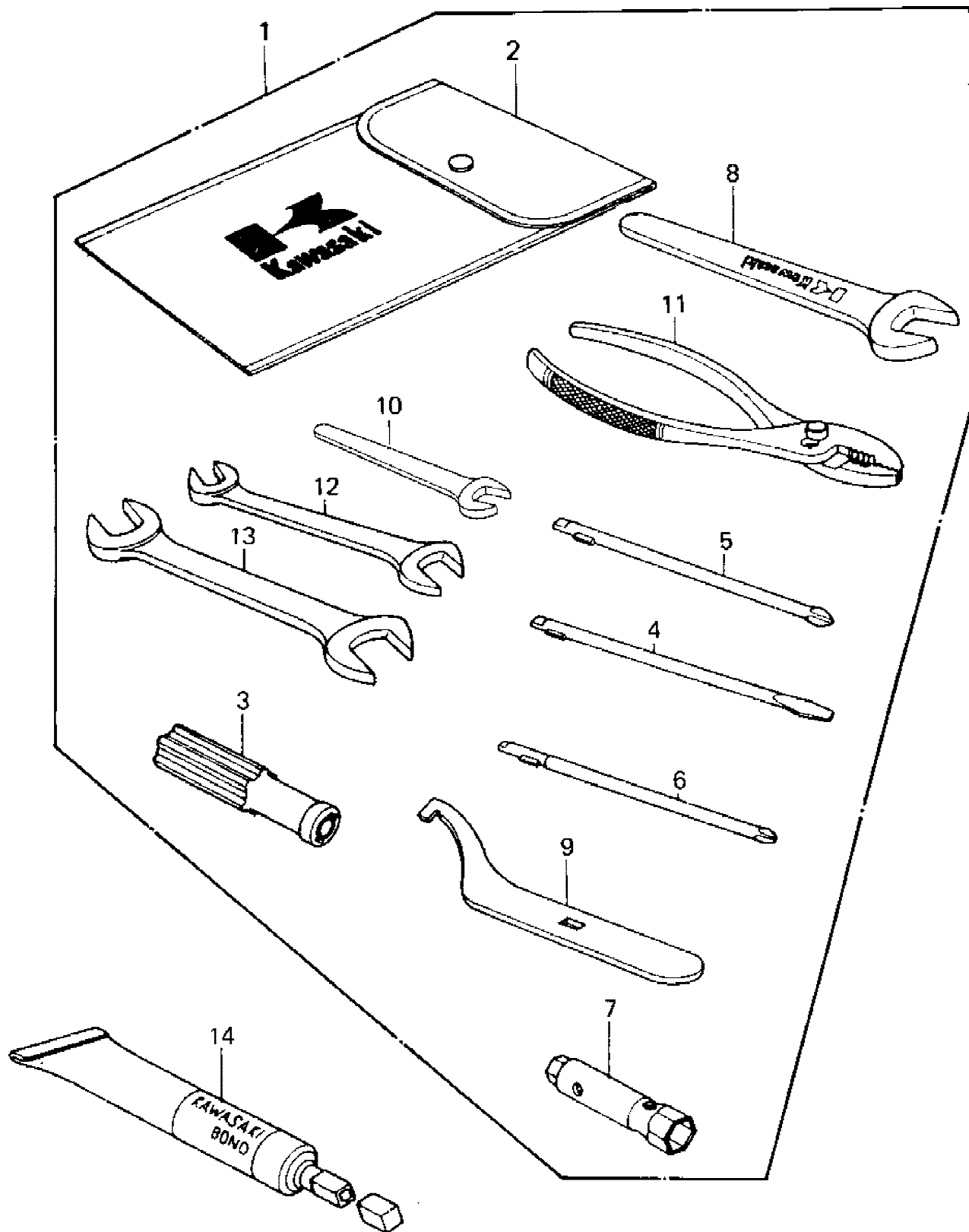


Ref #	Part Number	Qty	Description
1	16082-066	1	OIL PUMP ASSY
2	16085-026	1	GEAR,OIL PUMP
3	16141-006	1	BODY,OIL PUMP
4	16142-006	1	COVER,OIL PUMP
5	16154-5001	1	ROTOR,OIL PUMP
6	220B0614	1	SCREW PAN HEAD 6X14
7	551A0608	1	PIN,DOWEL,6X8
8	92042-041	1	PIN,DOWEL
9	16084-018	1	GEAR,OIL PUMP
10	11060-1115	1	GASKET,OIL PUMP
11	16097-1001	1	STRAINER ASSY,OIL
12	92071-100	1	GROMMET,OIL STRAINER
13	16099-004	1	FILTER,OIL
14	92071-101	2	GROMMET,OIL FILTER
15	16156-002	1	BOLT ASSY,OIL FILTER
16	92043-123	1	SPRING PIN
17	92081-043	1	SPRING,PISTON
18	92136-002	1	PISTON
19	220B0625	3	SCREW PAN HEAD 6X25
20	315B1600	1	NUT 16MM
21	420B1611	1	WASHER,LOCK,16M/M
22	551A0312	1	PIN DOWEL 3X12
23	551A0608	2	PIN,DOWEL,6X8
2	92022-170	1	WASHER-THRUST

E1710-0003



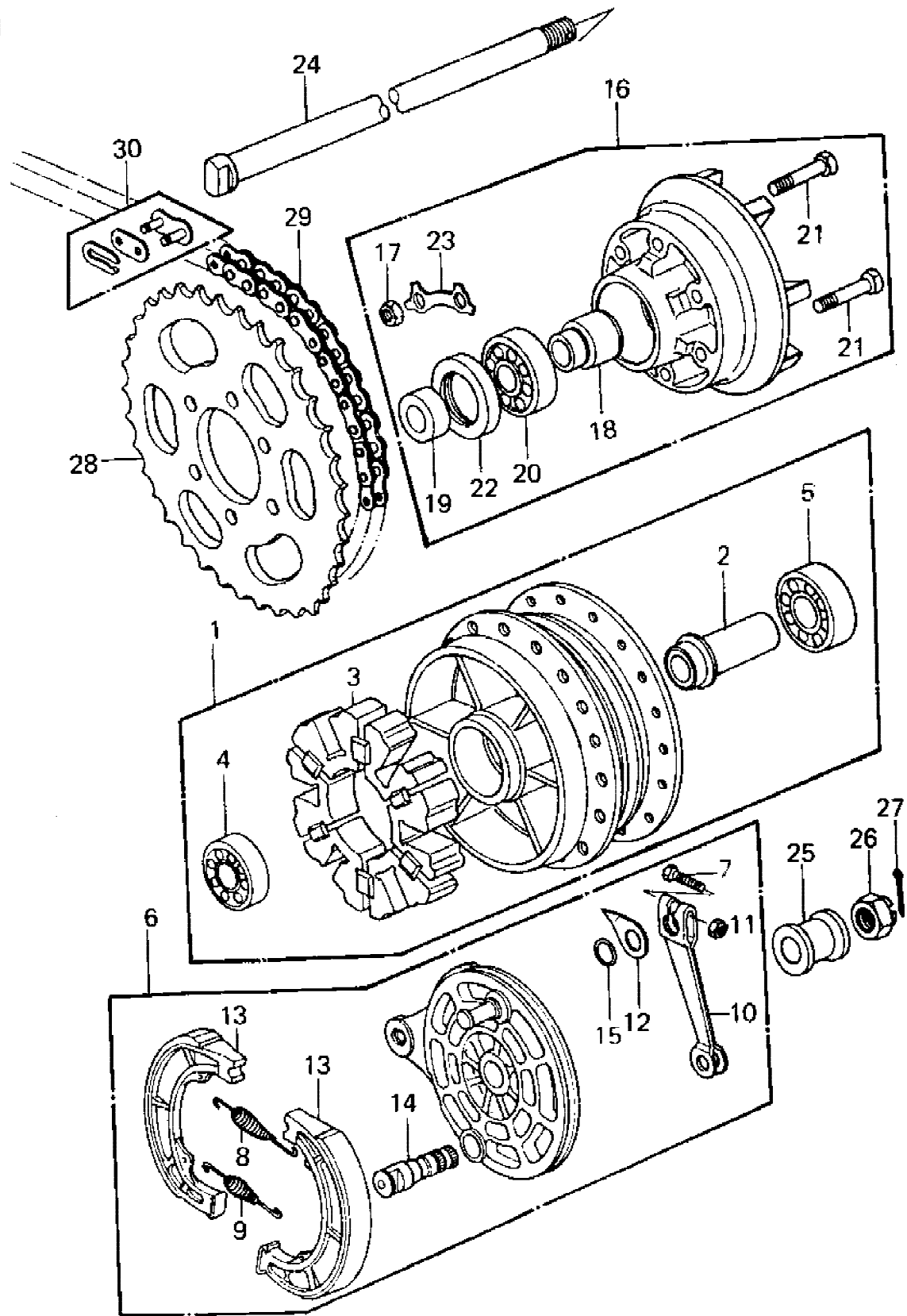
Ref #	Part Number	Qty	Description
11009	11060-1115	1	GASKET,OIL PUMP
16082	16082-066	1	OIL PUMP ASSY
16085	16085-026	1	GEAR,OIL PUMP
16097	16097-1001	1	STRAINER ASSY,OIL
16126	16156-002	1	BOLT ASSY,OIL FILTER
16126A	92136-002	1	PISTON
16142	16142-006	1	COVER,OIL PUMP
16154	16154-5001	1	ROTOR,OIL PUMP
32099	16141-006	1	BODY,OIL PUMP
52010	16099-004	1	FILTER,OIL
59051	16084-018	1	GEAR,OIL PUMP
92022	92022-170	1	WASHER-THRUST
92043	92042-041	1	PIN,DOWEL
92043A	92043-123	1	SPRING PIN
92071	92071-100	1	GROMMET,OIL STRAINER
92081	92081-043	1	SPRING,PISTON
220	220B0614	1	SCREW PAN HEAD 6X14
220A	220B0625	3	SCREW PAN HEAD 6X25
315	315B1600	1	NUT 16MM
420	420B1611	1	WASHER,LOCK,16M/M
551	551A0312	1	PIN DOWEL 3X12
551A	551A0608	3	PIN,DOWEL,6X8



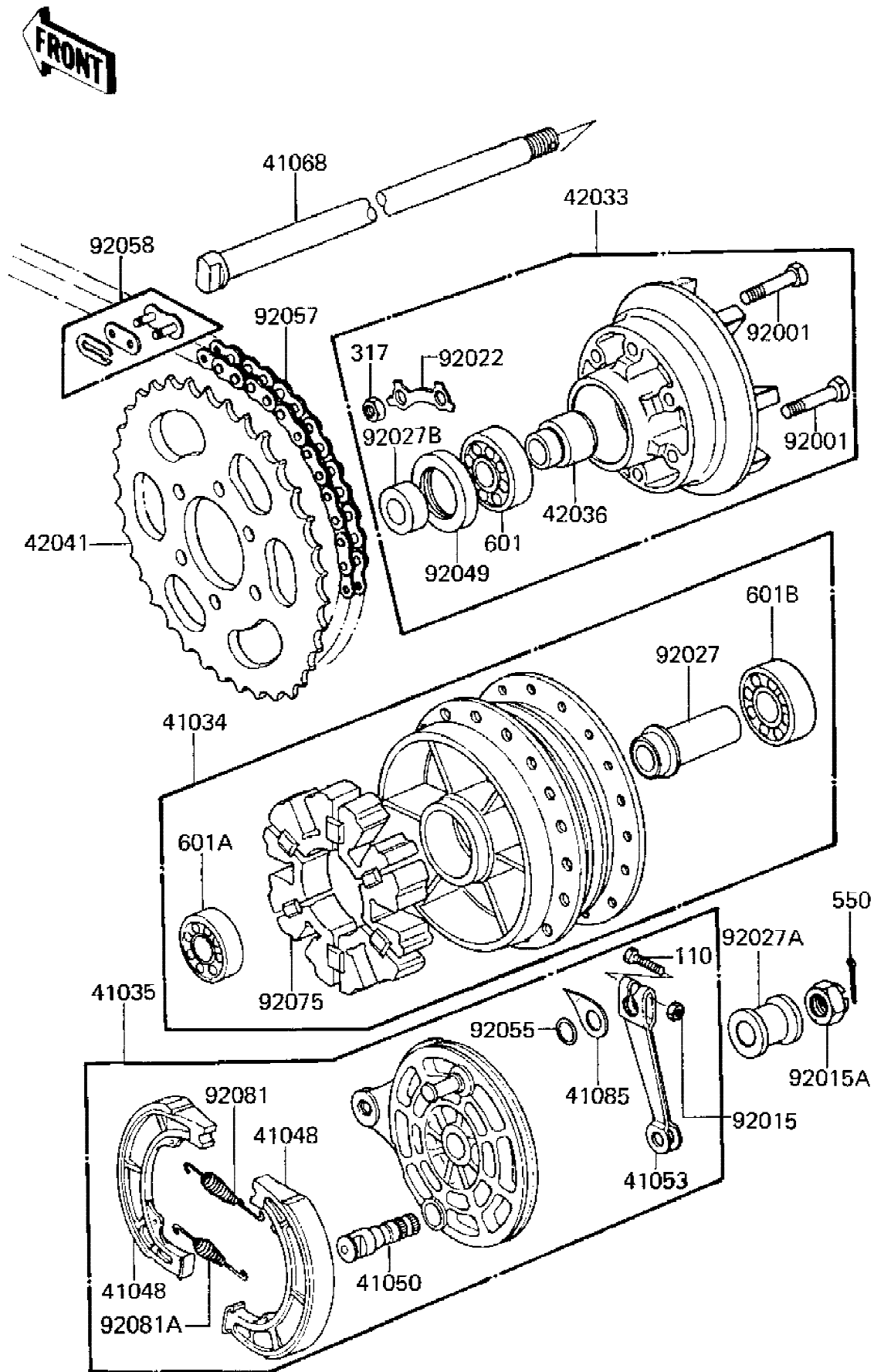
Ref #	Part Number	Qty	Description
1	56007-1047	1	TOOL KIT
2	56008-009	1	BAG,TOOL
3	92106-1001	1	GRIP,SCREW DRIVER
4	92107-007	1	92107-1052 (Canada)
5	92107-1052	1	TOOL-DRIVER
6	92107-008	1	92107-1002 (Canada)
7	92110-012	1	WRENCH,BOX,17X21
8	92110-1005	1	WRENCH,OPEN END,22M/M
9	92110-1014	1	WRENCH,HOOK
10	92110-1031	1	WRENCH,OPEN END,10M/M
11	92112-005	1	92112-003 (Canada)
12	92126-002	1	WRENCH,OPEN END,12X13
13	92110-1153	1	TOOL-WRENCH,OPEN END,
14	92104-002	1	LIQUID GASKET 100G TUBE

There is no diagram for this group. It has a parts list only. Press F11 to see the parts list.

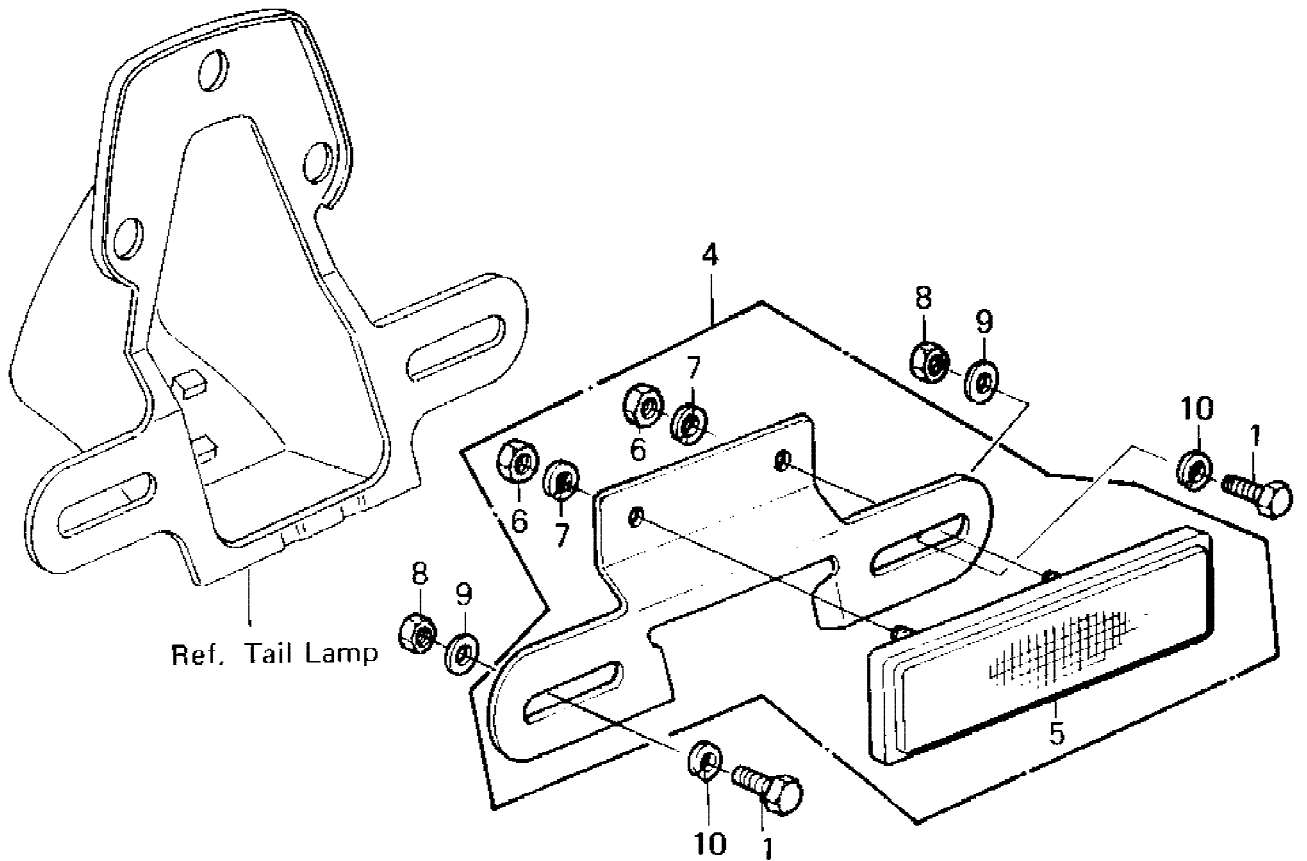
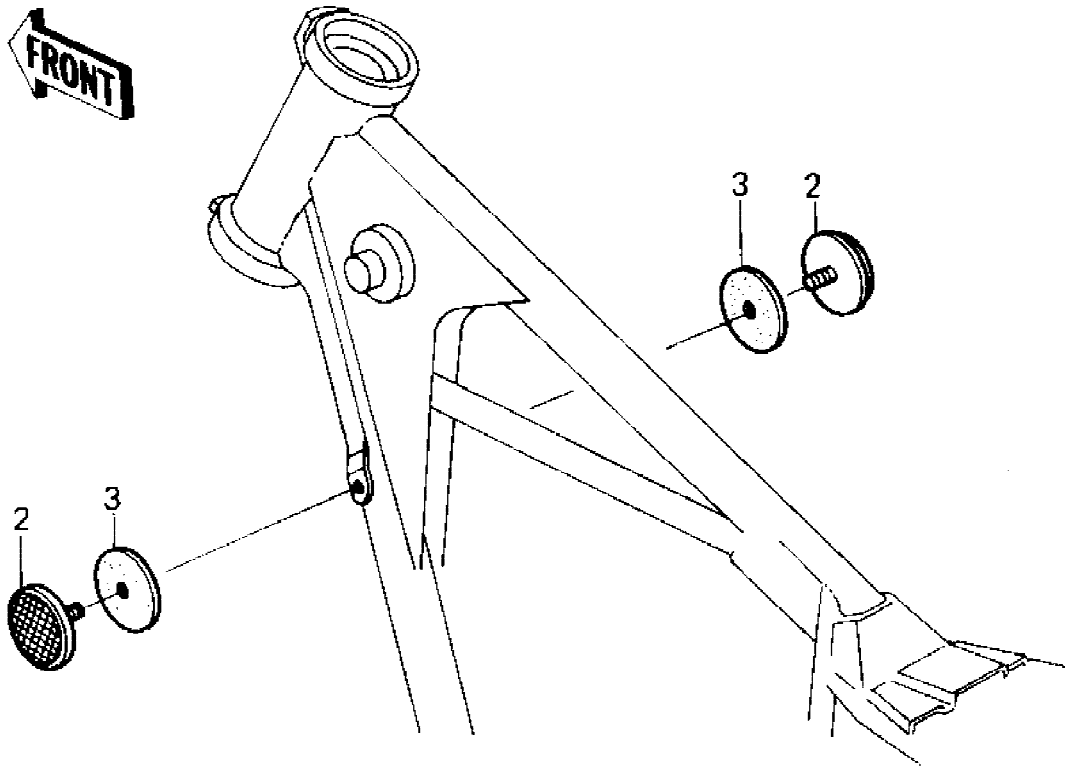
Ref #	Part Number	Qty	Description
52005	52005-1031	1	GAUGE,AIR,3.5KG/CM2
56007	56007-1072	1	TOOL KIT
56008	56008-008	1	BAG,TOOL
92104	92104-002	1	LIQUID GASKET
92106	92106-1001	1	GRIP,SCREW DRIVER
92107	92107-1052	1	TOOL-DRIVER
92107A	92107-007	1	92107-1052 (Canada)
92107B	92107-008	1	92107-1002 (Canada)
92110	92108-011	1	TIGHTENER,SPOKE
92110A	92110-012	1	WRENCH,BOX,17X21
92110B	92110-1148	1	TOOL-WRENCH,BOX END,2
92110C	92110-1038	1	TOOL-WRENCH,OPEN END
92110D	92110-1153	2	TOOL-WRENCH,OPEN END,
92112	92112-003	1	PLIERS,160MM



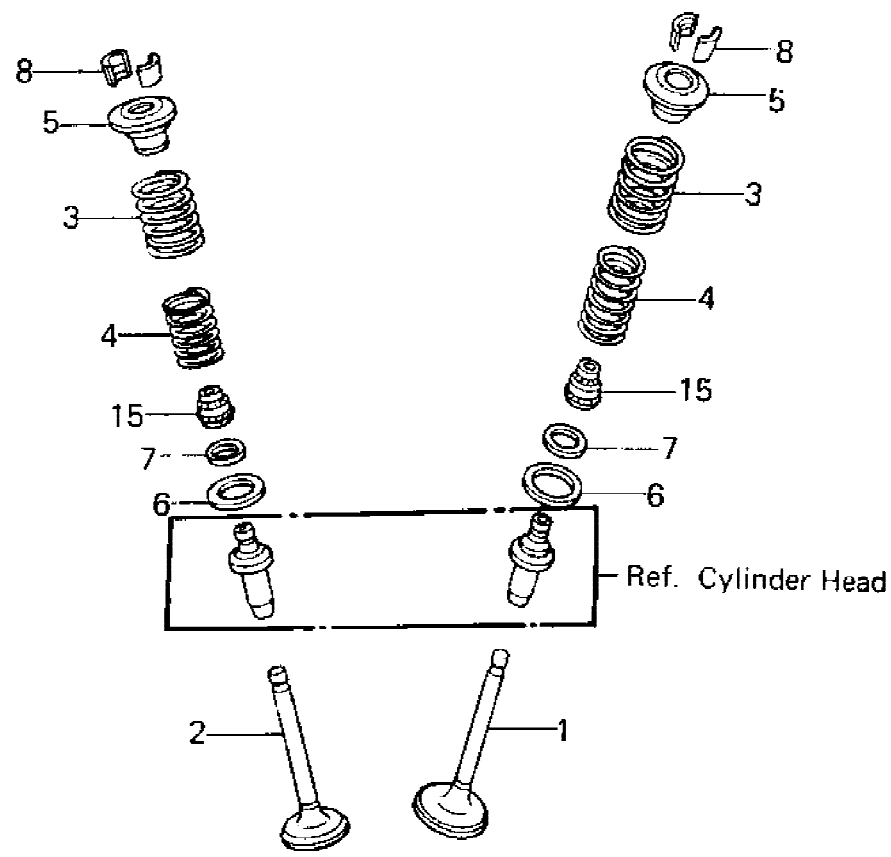
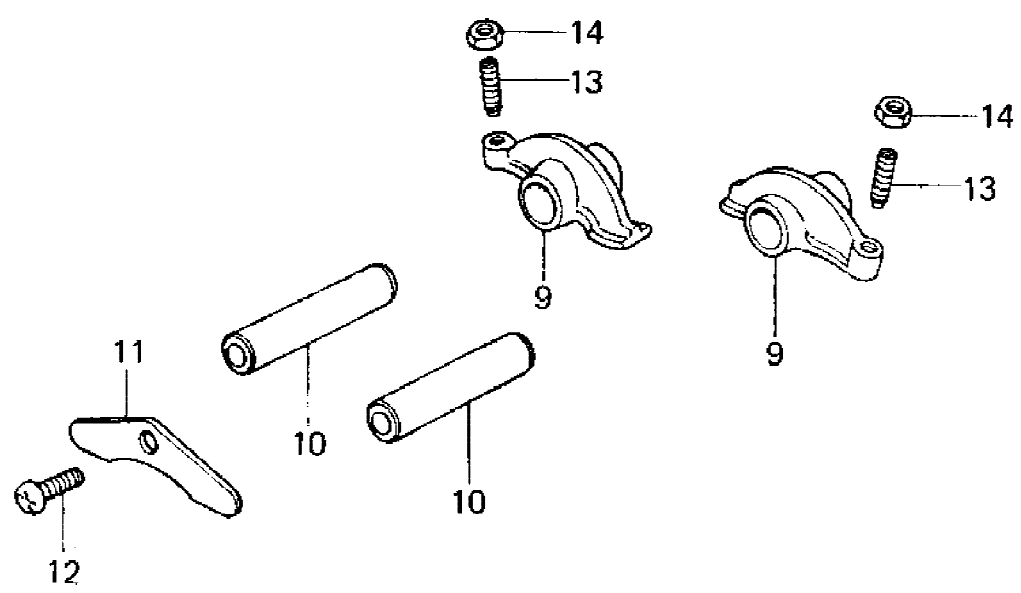
Ref #	Part Number	Qty	Description
1	42005-057	1	DRUM ASSY,REAR
2	42010-037	1	SPACER,REAR HUB BEARG
3	42014-030	1	SHOCK DAMPER,REAR HUB
4	601B6202	1	BEARING BALL #6202
5	601B6302Z	1	BEARING BALL #6302Z
6	41035-1090	1	RR BRAKE PANEL ASSY
7	112G0630	1	BOLT-UPSET
8	92081-1766	1	SPRING,BRAKE SHOE
9	92081-1550	1	SPRING,BRAKE SHOE
10	41053-002	1	LEVER,FRONT BRAKE CAM
11	41072-007	1	NUT,6MM
12	41085-013	1	INDICATOR,FR BK SHOE
13	42019-010	1	SHOE,BRAKE
14	42026-026	1	CAM SHAFT,REAR BRAKE
15	92055-004	1	"O" RING,11MM
16	42033-1029	1	COUPLING-ASSY,RR HUB
17	311B0800	6	NUT,8MM
18	42036-031	1	SLEEVE,REAR HUB COUPR
19	42037-029	1	COLLAR,REAR HUB COUPR
20	601B6004	1	BEARING BALL #6004
21	92001-021	6	BOLT REAR SPROCKET
22	92050-060	1	OIL SEAL,RR HUB BRNG
23	92088-019	3	WASHER,SPROCKET LOCK
24	42031-059	1	AXLE,REAR
25	42032-076	1	COLLAR,REAR AXLE
26	42045-020	1	NUT,14MM
27	550D3025	1	PIN COTTER 3.0X25
28	42041-1042	1	REAR.SPROCKET 37T
29	92057-1034	1	DR CHAIN 520X100L ED 520SHG
30	92058-1001	1	CHAIN JOINT 520



Ref #	Part Number	Qty	Description
41034	42005-057	1	DRUM ASSY,REAR
41035	41035-1090	1	RR BRAKE PANEL ASSY
41048	42019-010	2	SHOE,BRAKE
41050	42026-026	1	CAM SHAFT,REAR BRAKE
41053	41053-002	1	LEVER,FRONT BRAKE CAM
41068	42031-059	1	AXLE,REAR
41085	41085-013	1	INDICATOR,FR BK SHOE
42033	42033-1029	1	COUPLING-ASSY,RR HUB
42036	42036-031	1	SLEEVE,REAR HUB COUPR
42041	42041-1042	1	REAR.SPROCKET 37T
92001	92001-021	6	BOLT REAR SPROCKET
92015	41072-007	1	NUT,6MM
92015A	42045-020	1	NUT,14MM
92022	92088-019	3	WASHER,SPROCKET LOCK
92027	42010-037	1	SPACER,REAR HUB BEARG
92027A	42032-076	1	COLLAR,REAR AXLE
92027B	42037-029	1	COLLAR,REAR HUB COUPR
92049	92050-060	1	OIL SEAL,RR HUB BRNG
92055	92055-004	1	"O" RING,11MM
92057	92057-1034	1	DR CHAIN 520X100L
92058	92058-1001	1	CHAIN JOINT 520
92075	42014-030	1	SHOCK DAMPER,REAR HUB
92081	92081-1766	1	SPRING,BRAKE SHOE
92081A	92081-1550	1	SPRING,BRAKE SHOE
1110	112G0630	1	BOLT-UPSET
317	317B0800	6	NUT,8M/M
550	550D3025	1	PIN COTTER 3.0X25
601	601B6004	1	BEARING BALL #6004
601A	601B6202	1	BEARING BALL #6202
601B	601B6302Z	1	BEARING BALL #6302Z

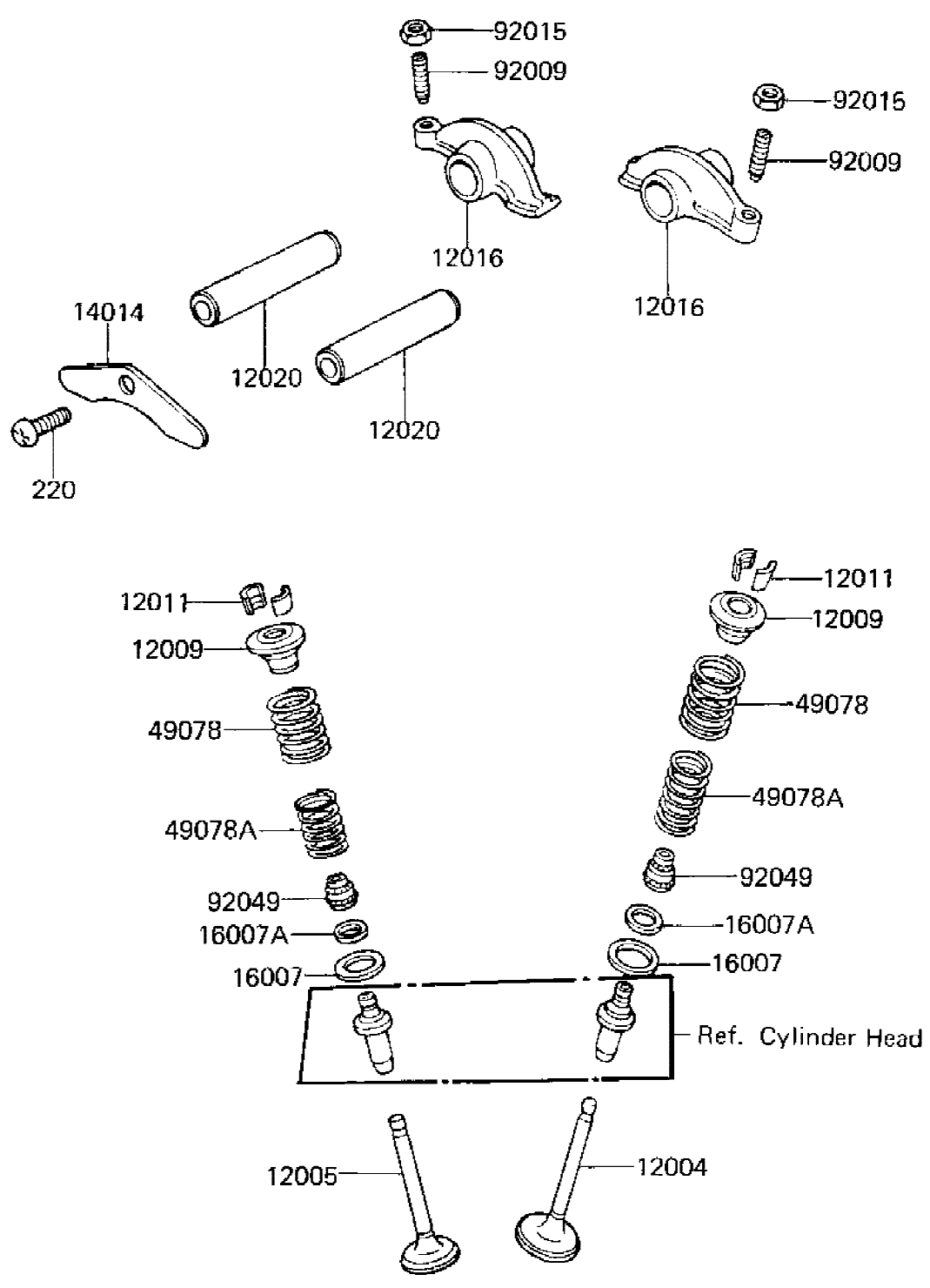


Ref #	Part Number	Qty	Description
1	112G0612	2	BOLT-UPSET,6X12
2	28012-016	2	REFLECTOR,REFLEX
3	92094-011	2	DAMPER RUBBER,REFLECT
4	28001-1012	1	REFLECTOR ASSY,RR
5	28012-1005	1	REFLECTOR,REAR REFLEX
6	311B0500	2	NUT,5MM
7	461F0500	2	WASHER SPRING 5MM
8	311B0600	2	NUT 6MM
9	411B0600	2	WASHER PLAIN 6MM
10	461F0600	2	WASHER SPRING 6MM



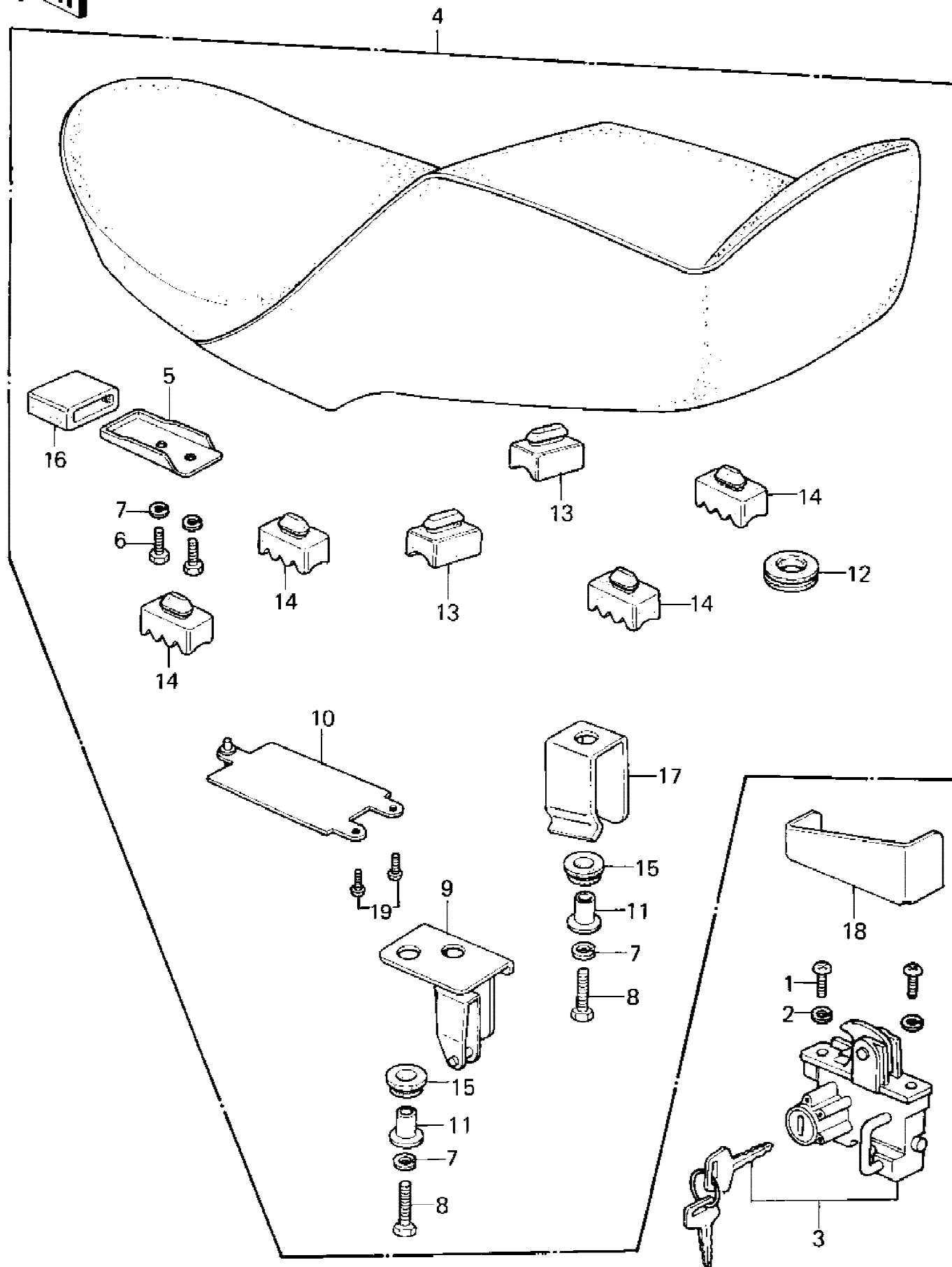
Ref #	Part Number	Qty	Description
1	12004-1006	1	VALVE,INLET
2	12005-1005	1	VALVE,EXHAUST
3	12007-013	2	SPRING,OUTER VALVE
4	12007-014	2	SPRING,INNER VALVE
5	12009-006	2	RETAINER,VALVE SPRING
6	12010-005	2	SEAT,VLV OUTER SPRING
7	12010-006	2	SEAT,VLV INNER SPRING
8	12011-004	4	SPLIT KEEPER
9	12016-012	2	ARM,ROCKER
10	12020-004	2	SHAFT,ROCKER ARM
11	14014-034	1	PLATE,POSITIONING
12	220B0614	1	SCREW PAN HEAD 6X14
13	92013-009	2	SCREW,SLOTTED,ROCKER
14	92016-061	2	NUT,ROCKER ARM FITTNG
15	92049-016	2	OIL SEAL,RV37129.5

E1210-0004



Ref #	Part Number	Qty	Description
12004	12004-1006	1	VALVE,INLET
12005	12005-1005	1	VALVE,EXHAUST
12009	12009-006	2	RETAINER,VALVE SPRING
12011	12011-004	4	SPLIT KEEPER
12016	12016-012	2	ARM,ROCKER
12020	12020-004	2	SHAFT,ROCKER ARM
14014	14014-034	1	PLATE,POSITIONING
16007	12010-005	2	SEAT,VLV OUTER SPRING
16007A	12010-006	2	SEAT,VLV INNER SPRING
49078	12007-013	2	SPRING,OUTER VALVE
49078A	12007-014	2	SPRING,INNER VALVE
92009	92013-009	2	SCREW,SLOTTED,ROCKER
92015	92016-061	2	NUT,ROCKER ARM FITTNG
92049	92049-016	2	OIL SEAL,RV37129.5
220	220B0614	1	SCREW PAN HEAD 6X14

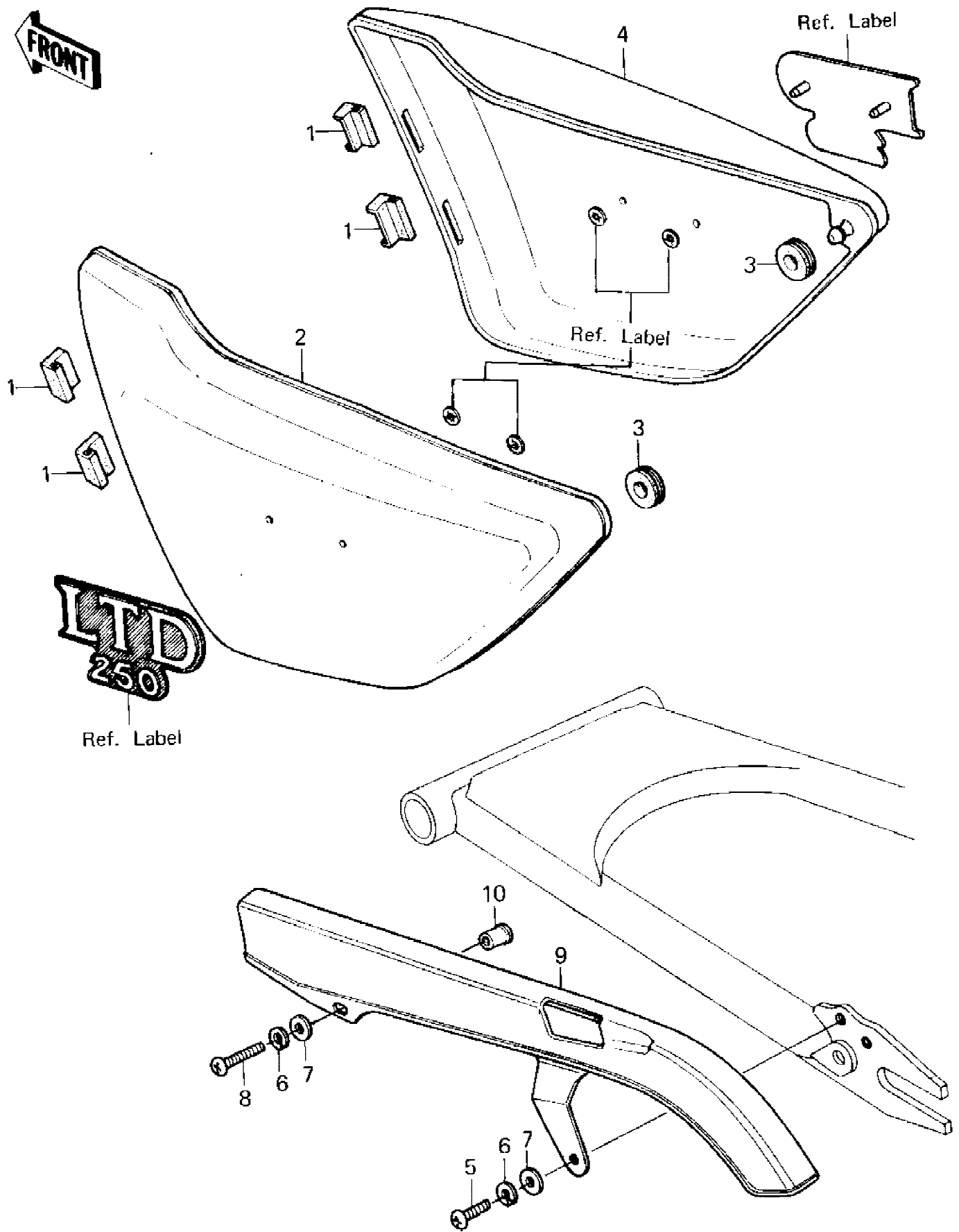
FRONT



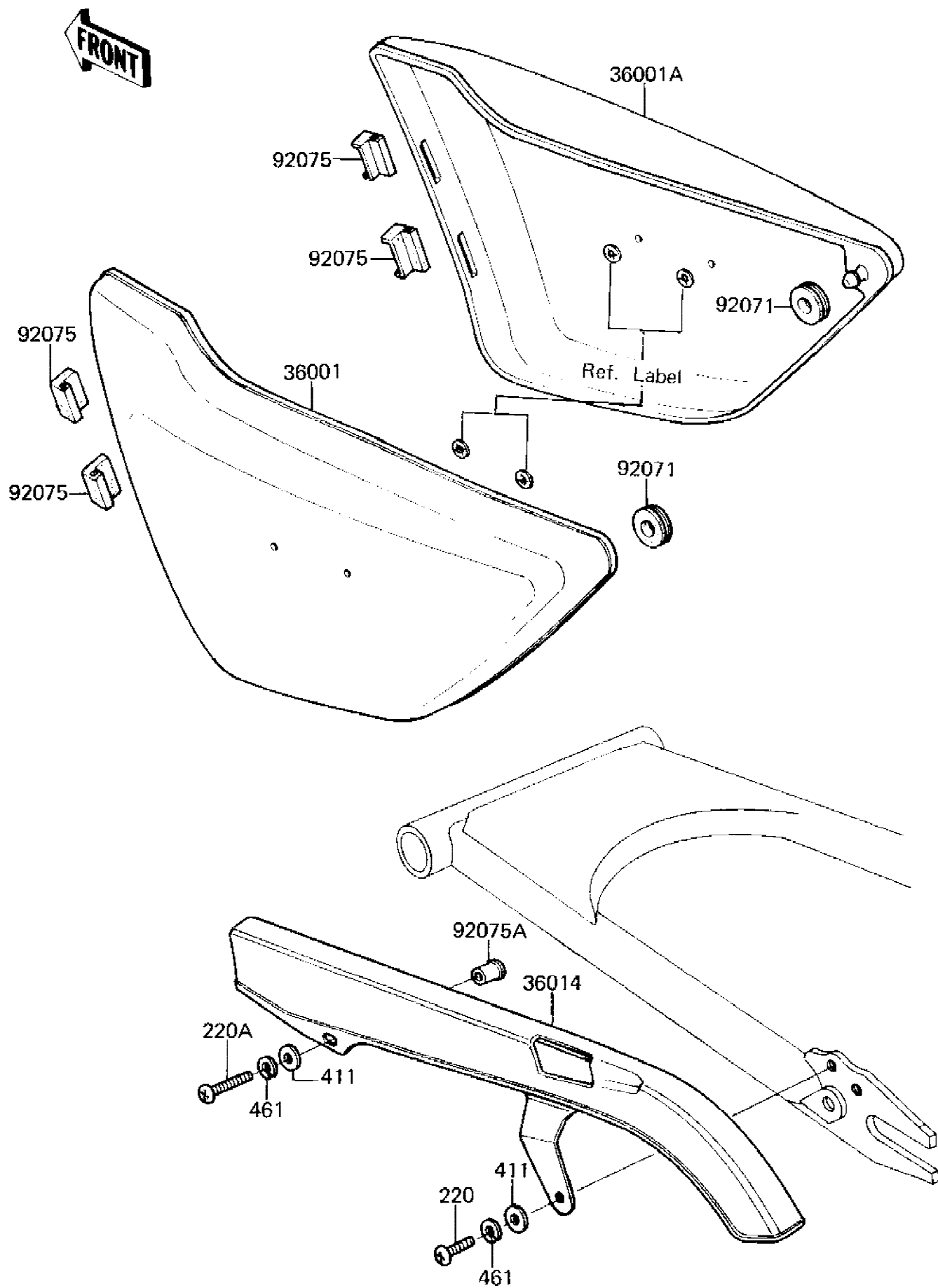
Ref #	Part Number	Qty	Description
1	220B0614	2	SCREW PAN HEAD 6X14
2	461F0600	2	WASHER SPRING 6MM
3	27016-5028	1	LOCK ASSY,SEAT HELMET
4	53001-1121	1	SEAT-ASSY
5	11034-1135	1	BRACKET,HOLDER
6	112G0612	2	BOLT-UPSET,6X12
7	461F0600	5	WASHER SPRING 6MM
8	112G0625	3	BOLT-UPSET
9	27012-1015	1	HOOK,SEAT
10	32099-011	1	CASE
11	92027-1062	3	COLLAR,SEAT
12	92071-056	1	GROMMET
13	92075-099	2	DAMPER RUBBER
14	92075-1007	4	DAMPER,SEAT
15	92075-1123	3	DAMPER, HEAD LMP FITT
16	92075-219	1	DAMPER RUBBER,SEAT
17	92081-1205	1	SPRING,SEAT
18	55020-1042	1	GUARD,SEAT
19	92009-1043	2	SCREW

There is no diagram for this group. It has a parts list only. Press F11 to see the parts list.

Ref #	Part Number	Qty	Description
11034	11034-1135	1	BRACKET,HOLDER
27012	27012-1015	1	HOOK,SEAT
27016	27016-5028	1	LOCK ASSY,SEAT HELMET
32099	32099-011	1	CASE
53001	53001-1121	1	SEAT-ASSY
55020	55020-1042	1	GUARD,SEAT
92009	92009-1043	2	SCREW
92027	92027-1062	3	COLLAR,SEAT
92071	92071-056	1	GROMMET
92075	92075-099	2	DAMPER RUBBER
92075A	92075-1007	4	DAMPER,SEAT
92075B	92075-1123	3	DAMPER, HEAD LMP FITT
92075C	92075-219	1	DAMPER RUBBER,SEAT
92081	92081-1205	1	SPRING,SEAT
110	112G0612	2	BOLT-UPSET,6X12
110A	112G0625	3	BOLT-UPSET
220	220B0614	2	SCREW PAN HEAD 6X14
461	461F0600	7	WASHER SPRING 6MM



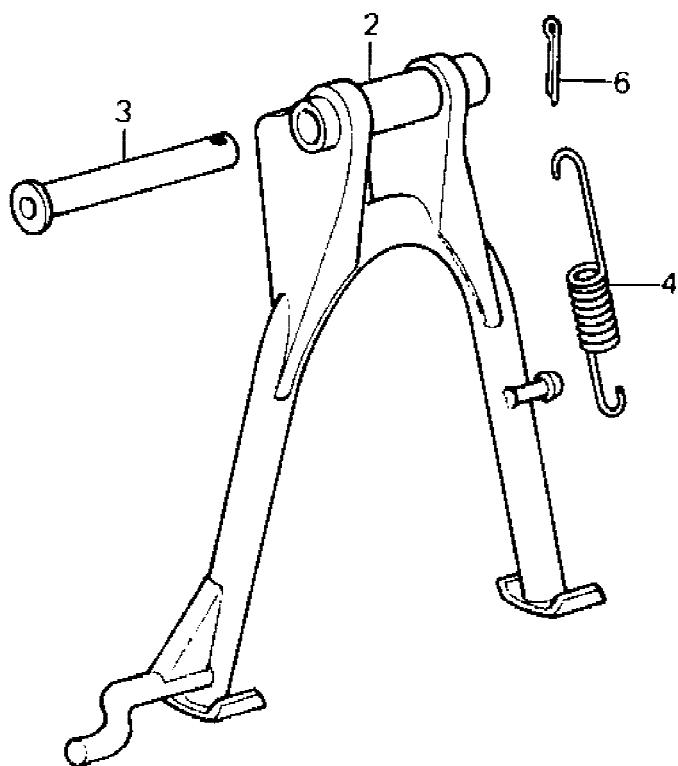
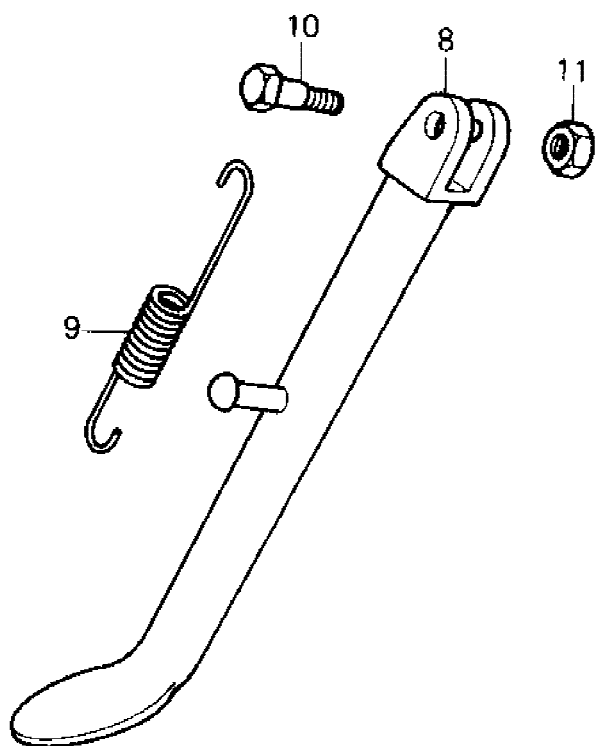
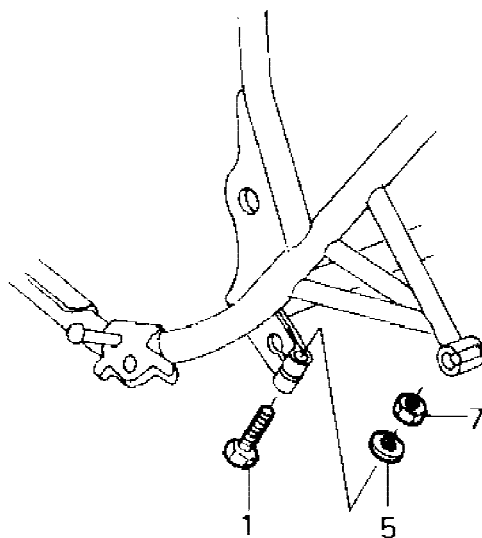
Ref #	Part Number	Qty	Description
1	31082-005	4	PROTECTOR SIDE COVER
2	36001-1091-A5	1	COVER,L.H C.P.RED
2	36001-1091-7Z	1	COVER,L.H L.D.BLUE
3	92071-056	2	GROMMET
4	36001-1092-A5	1	COVER,R.H C.P.RED
4	36001-1092-7Z	1	COVER,R.H L.D.BLUE
5	220B0612	1	SCREW PAN HEAD 6X12
6	461F0600	2	WASHER SPRING 6MM
7	411B0600	2	WASHER PLAIN 6MM
8	220B0650	1	SCREW PAN HEAD 6X50
9	36014-1021	1	CASE-CHAIN
10	92075-1030	1	DAMPER,RUBBER



Ref #	Part Number	Qty	Description
36001	36001-1091-D9	1	COVER-SIDE,L.P.RED
36001A	36001-1092-D9	1	COVER-SIDE,L.P.RED
36014	36014-1021	1	CASE-CHAIN
92071	92071-056	2	GROMMET
92075	31082-005	4	PROTECTOR SIDE COVER
92075A	92075-1030	1	DAMPER,RUBBER
220	220B0612	1	SCREW PAN HEAD 6X12
220A	220B0650	1	SCREW PAN HEAD 6X50
411	411B0600	2	WASHER PLAIN 6MM
461	461F0600	2	WASHER SPRING 6MM

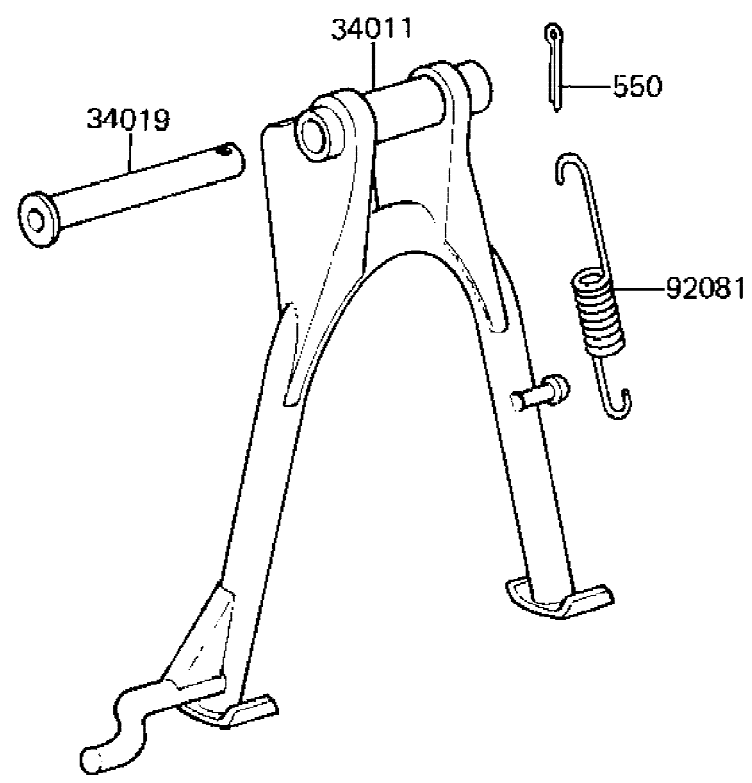
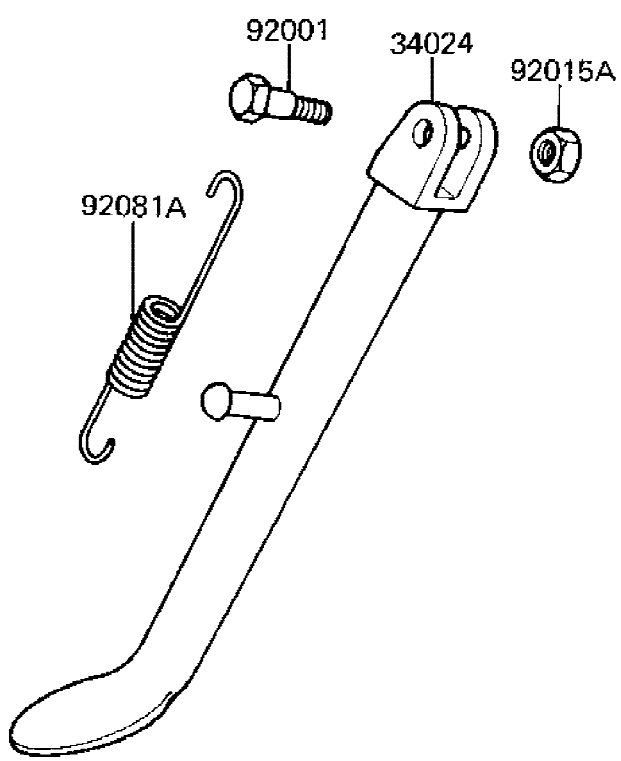
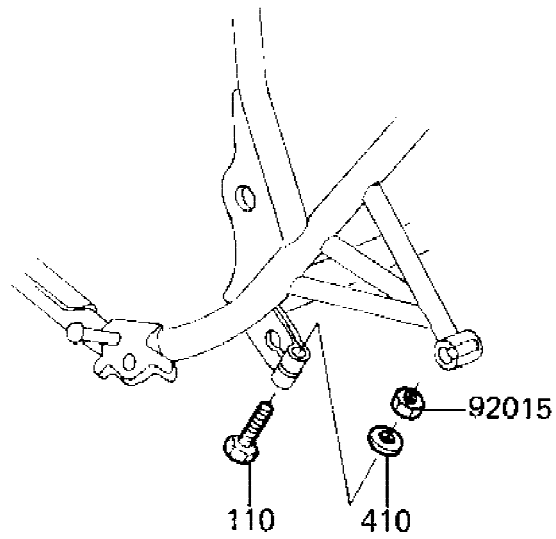
There is no diagram for this group. It has a parts list only. Press F11 to see the parts list.

Ref #	Part Number	Qty	Description
1	57001-101	1	*** N.L.A.*** (Canada)
2	57001-102	1	*** N.L.A.*** (Canada)
3	57001-104	1	*** N.L.A.*** (Canada)
4	57001-106	1	*** N.L.A.*** (Canada)
5	57001-110	1	WRENCH,SPARK PLUG (Canada)
6	57001-114	1	57001-910 (Canada)
7	57001-115	1	PLIERS-PISTON RING
8	57001-123	1	*** N.L.A.*** (Canada)
9	57001-137	1	DRIVER,STEM BEARING
10	57001-139	1	*** N.L.A.*** (Canada)
11	57001-143	1	PLIERS,CIRCLIP,INSIDE
12	57001-144	1	PLIERS,CIRCLIP,OUTSID
13	57001-151	1	ADAPTER,CRANKCASE SOL
15	57001-153	1	57001-1098 (Canada)
16	57001-162	1	REAMER,VALVE GUIDE
17	57001-163	1	ARBOR,VALVE GUIDE
18	57001-317	1	ADAPTER,2ND GEAR PULR
19	57001-181	1	57001-1011 (Canada)
20	57001-183	1	HANDLE,FORK CLY HOLDR
21	57001-196	1	57001-1219 (Canada)
22	57001-208	1	GAUGE,FUEL LEVEL
23	57001-241	1	COMPRESSOR,VLV SPRING
24	57001-242	1	57001-246 (Canada)
25	57001-244	1	BOLT,VALVE COMPRESER
26	57001-254	1	57001-1216 (Canada)
27	57001-264	1	GUIDE,SHIFT OIL SEAL
28	57001-267	1	GUIDE,KICK OIL SEAL
29	57001-283	1	57001-1129 (Canada)
30	57001-288	1	57001-1129 (Canada)
31	57001-289	1	57001-1129 (Canada)
32	57001-292	1	DRIVER,STEM BEARING
33	57001-293	1	*** N.L.A.*** (Canada)
34	57001-298	1	UNAVAILABLE IN PRICE BOOK
35	57001-307	1	57001-1243 (Canada)
36	57001-308	1	57001-1313 (Canada)
37	57001-320	1	57001-1100 (Canada)
38	57001-405	1	COVER-TIMING INSPECT.
39	57001-980	1	*** N.L.A.*** (Canada)
40	57001-983	1	MULTIMETER
41	57001-1088	1	ADAPTER,OIL PRESSURE

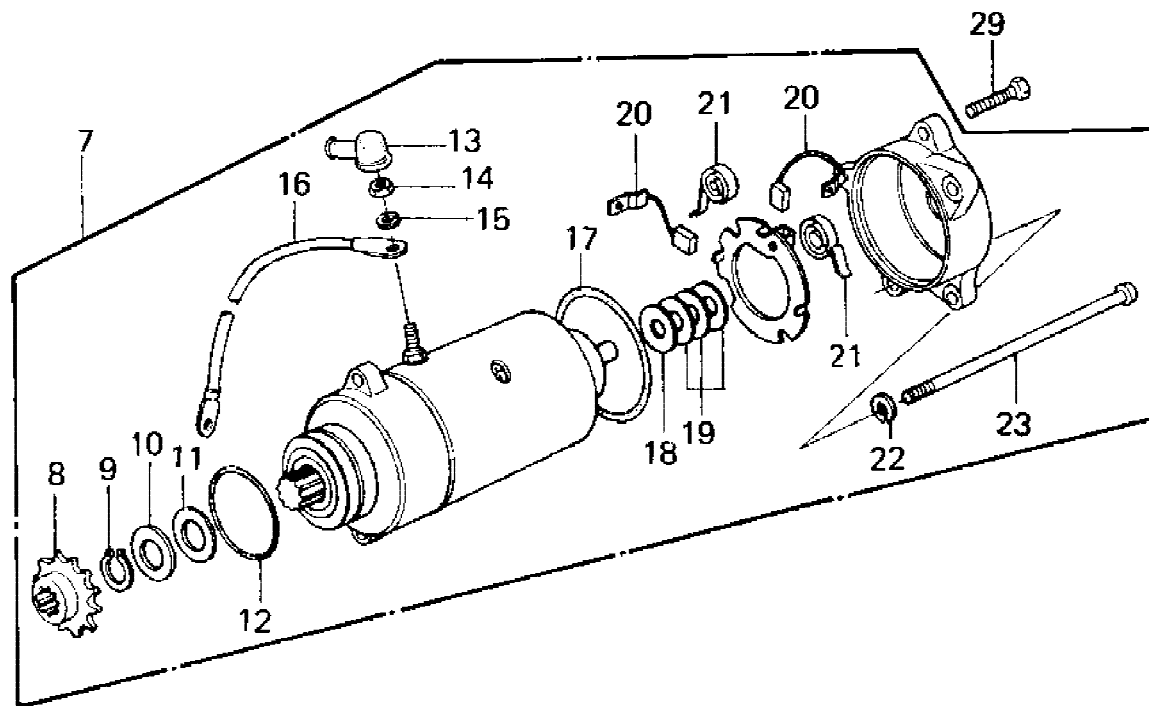
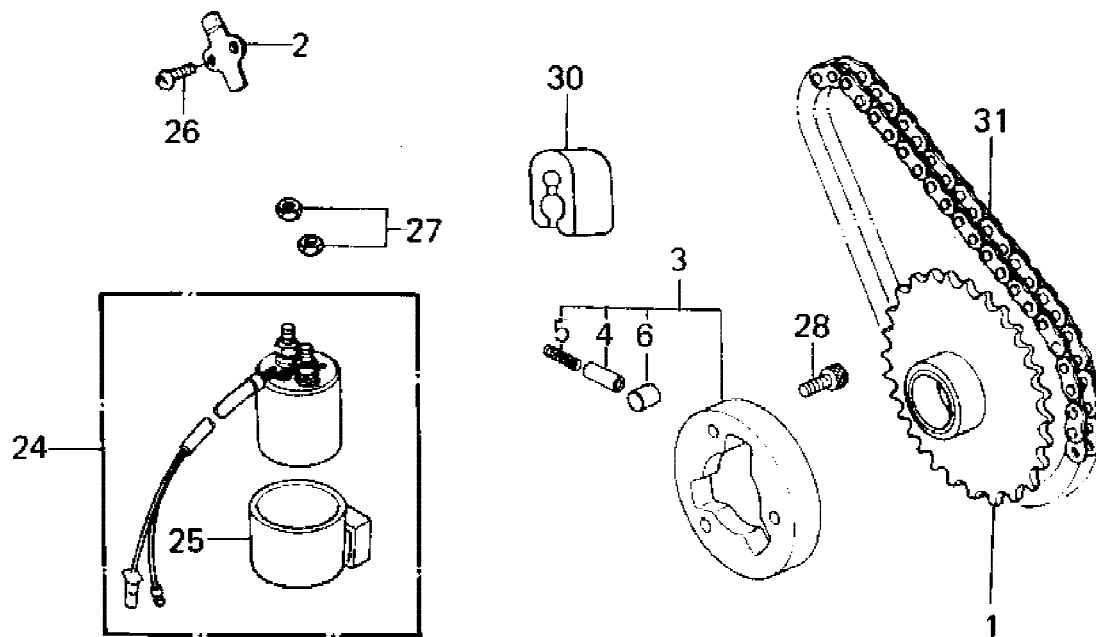


Ref #	Part Number	Qty	Description
1	110R0635	2	BOLT 6X35
2	34011-1024	1	STAND-MAIN
3	34019-011	1	SHAFT MAIN STAND
4	34023-016	1	SPRING,MAIN STAND
5	410B0600	2	WASHER PLAIN 6MM
6	550D3030	1	PIN COTTER 3.0X30
7	92019-008	2	NUT
8	34024-1039	1	STAND-SIDE
9	34025-005	1	SPRING,SIDE STAND
10	92003-157	1	BOLT, SIDE STAND FIT
11	92019-021	1	NUT,LOCK,10MM

F2190-0004

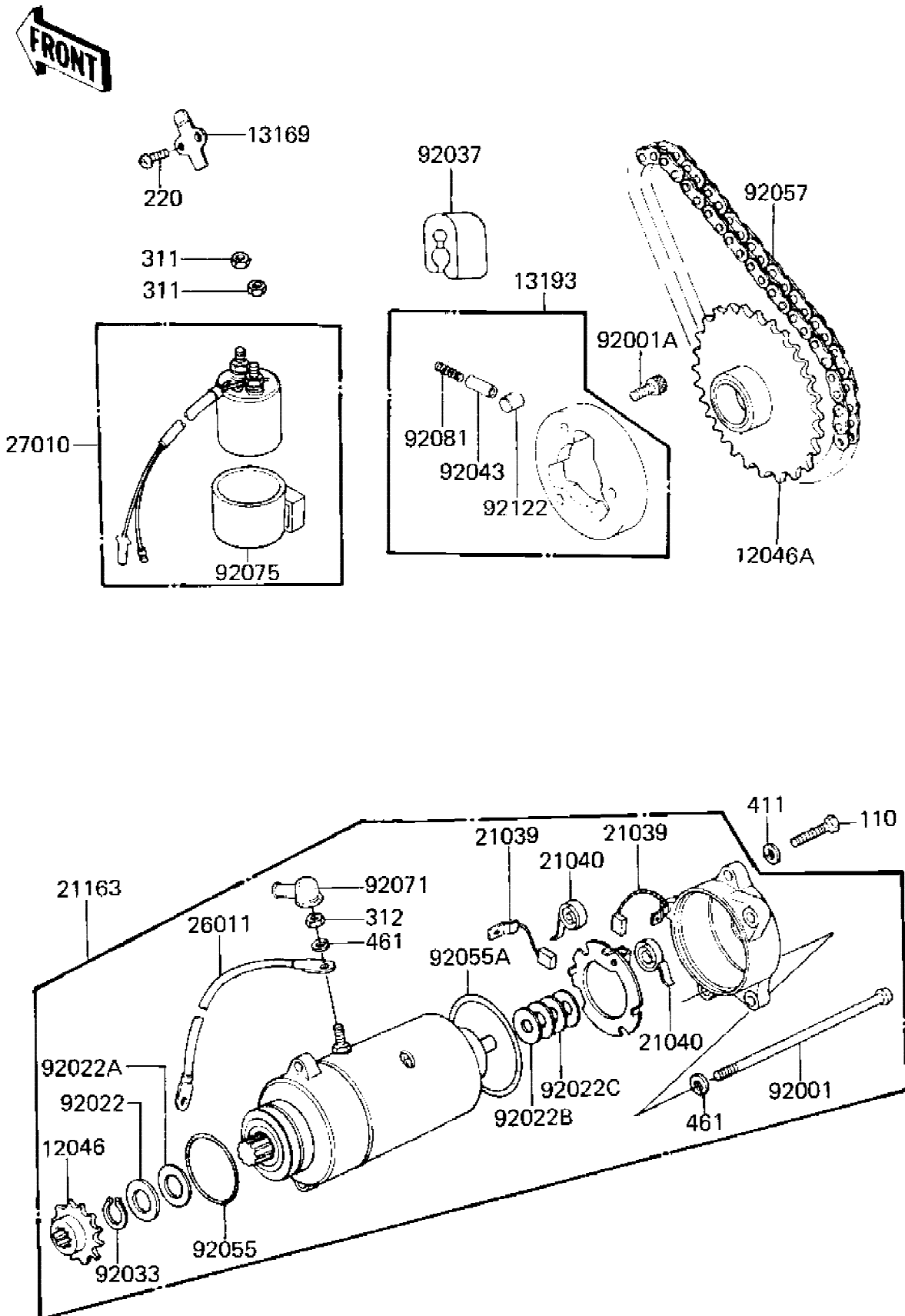


Ref #	Part Number	Qty	Description
34011	34011-1024	1	STAND-MAIN
34019	34019-011	1	SHAFT MAIN STAND
34024	34024-1039	1	STAND-SIDE
92001	92003-157	1	BOLT, SIDE STAND FIT
92015	92019-008	2	NUT
92015A	92019-021	1	NUT,LOCK,10MM
92081	34023-016	1	SPRING,MAIN STAND
92081A	34025-005	1	SPRING,SIDE STAND
1110	110R0635	2	BOLT 6X35
410	410B0600	2	WASHER PLAIN 6MM
550	550D3030	1	PIN COTTER 3.0X30

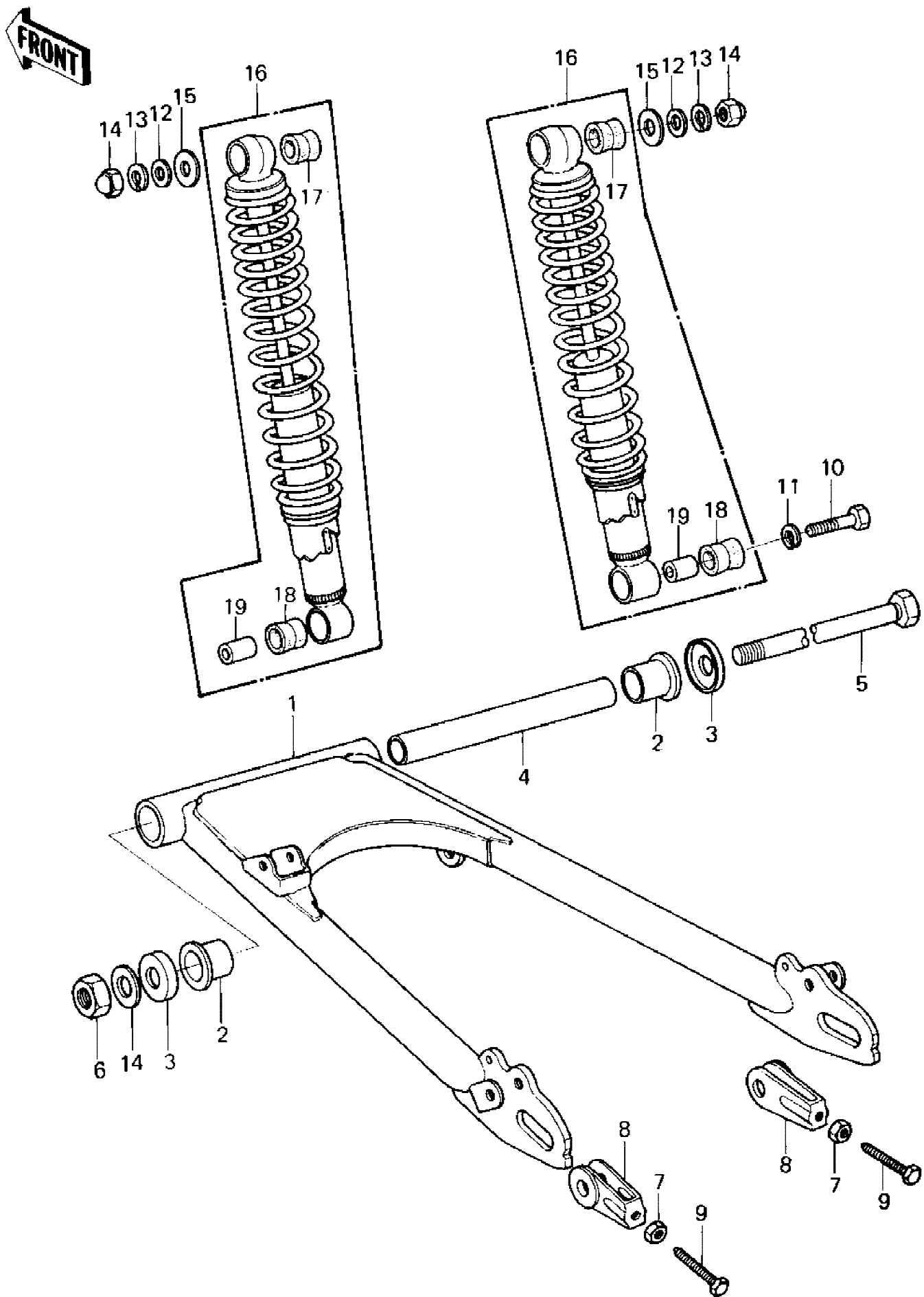


Ref #	Part Number	Qty	Description
1	12046-1023	1	SPROCKET,STARTER
2	13169-1010	1	PLATE
3	13193-1006	1	CLUTCH ASSY,STARTING
4	92043-087	3	PIN
5	92081-110	3	SPRING
6	92122-001	3	PIN
7	21163-1036	1	STARTER-ELECTRIC
8	12046-1004	1	SPROCKET,STARTER MOTO
9	92033-037	1	CIRCLIP,13M/M
10	21025-008	1	WASHER,PLAIN,14MM 0.2 T
11	21025-009	1	WASHER PLAIN 14MM 0.5 T
12	21027-005	1	"O" RING,42.8MM
13	21017-020	2	CAP,STARTING MOTOR
14	312B0600	1	NUT 6MM
15	461F0600	1	WASHER SPRING 6MM
16	26011-1201	1	WIRE-LEAD,STARTER MOT
17	21027-006	1	"O" RING,62MM
18	21025-010	1	WASHER,THRUST,1.6T
19	21025-011	AR	WASHER,THRUST,0.2T
20	21039-004	2	BRUSH CARBON
21	21040-004	2	SPRING CARBON BRUSH
22	461F0600	2	WASHER SPRING 6MM
23	92001-1046	2	SCREW,PAN HEAD,6X130
24	21164-005	1	SWITCH ASSY,MAGNETIC
25	21064-002	1	DAMPER MAG SWITCH SHK
26	220B0614	1	SCREW PAN HEAD 6X14
27	311G0600	2	NUT,6M/M
28	120P0816	3	BOLT
29	130G0625	2	BOLT,FLANGED,6X25
30	92037-1049	1	CLAMP,CABLE
31	92057-1009	1	CHAIN,DYNAMO

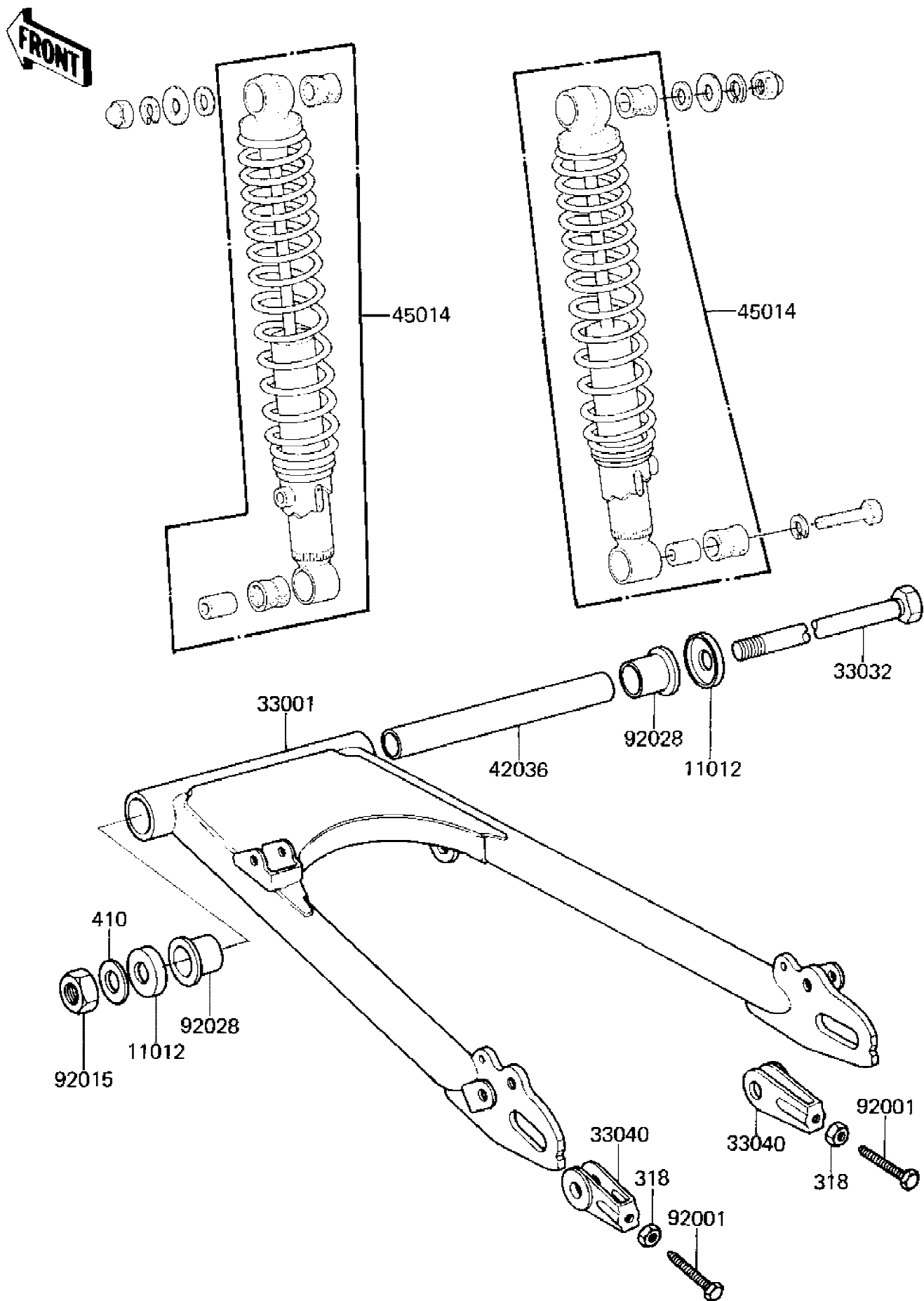
E1840-0003



Ref #	Part Number	Qty	Description
12046	12046-1004	1	SPROCKET,STARTER MOTO
12046A	12046-1023	1	SPROCKET,STARTER
13169	13169-1010	1	PLATE
13193	13193-1006	1	CLUTCH ASSY,STARTING
21039	21039-004	2	BRUSH CARBON
21040	21040-004	2	SPRING CARBON BRUSH
21163	21163-1036	1	STARTER-ELECTRIC
26011	26011-1201	1	WIRE-LEAD,STARTER MOT
27010	21164-005	1	SWITCH ASSY,MAGNETIC
92001	92001-1046	2	SCREW,PAN HEAD,6X130
92001A	120P0816	3	BOLT
92022	21025-008	1	WASHER,PLAIN,14MM
92022A	21025-009	1	WASHER PLAIN 14MM
92022B	21025-010	1	WASHER,THRUST,1.6T
92022C	21025-011	AR	WASHER,THRUST,0.2T
92033	92033-037	1	CIRCLIP,13M/M
92037	92037-1049	1	CLAMP,CABLE
92043	92043-087	3	PIN
92055	21027-005	1	"O" RING,42.8MM
92055A	21027-006	1	"O" RING,62MM
92057	92057-1009	1	CHAIN,DYNAMO
92071	21017-020	2	CAP,STARTING MOTOR
92075	21064-002	1	DAMPER MAG SWITCH SHK
92081	92081-110	3	SPRING
92122	92122-001	3	PIN
110	112G0625	2	BOLT-UPSET
220	220B0614	1	SCREW PAN HEAD 6X14
311	311G0600	2	NUT,6M/M
312	312B0600	2	NUT 6MM
411	411B0600	2	WASHER PLAIN 6MM
461	461F0600	4	WASHER SPRING 6MM

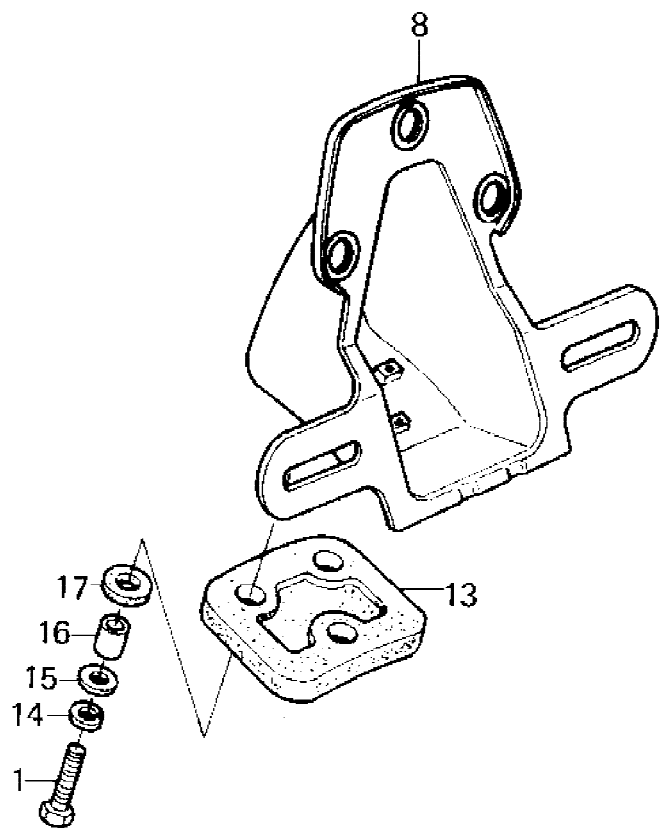
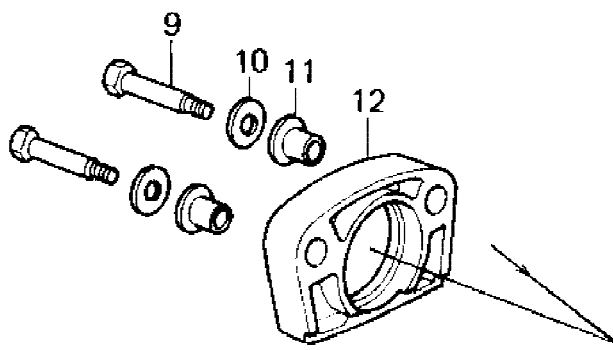
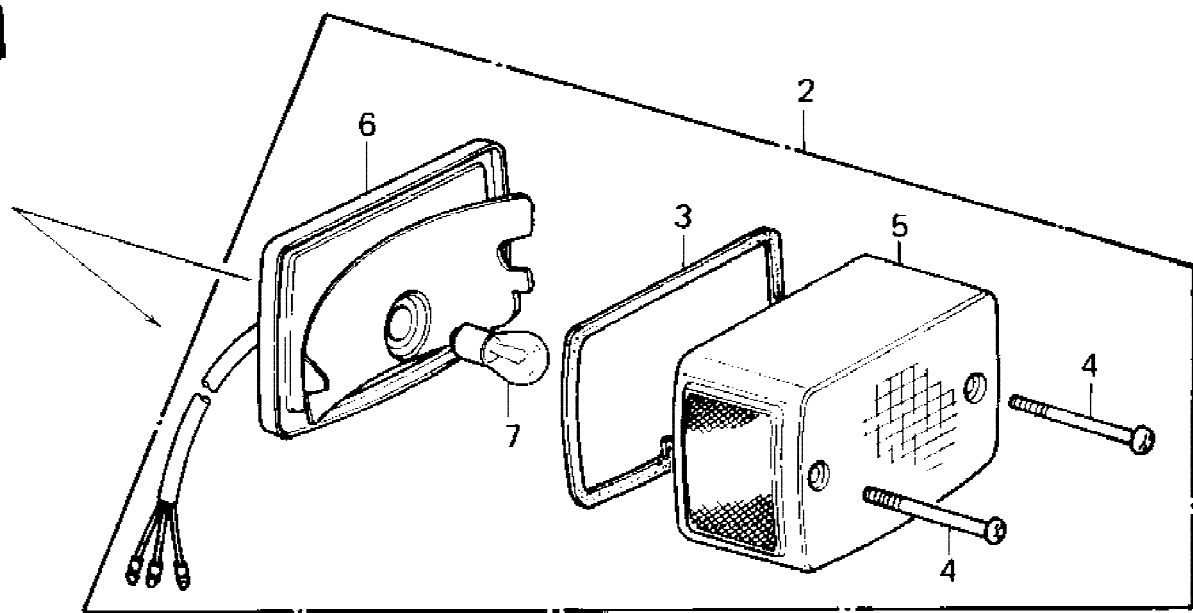


Ref #	Part Number	Qty	Description
1	33001-1049	1	SWING ARM
2	33033-009	2	BUSHING-SWING ARM
3	33035-010	2	CAP,SWING ARM
4	42036-1004	1	SLEEVE,SWING ARM
5	33032-037	1	SHAFT-SWING ARM PIVOT
6	92019-011	1	NUT-LOCK,14MM
7	312B0800	2	NUT 8MM
8	33040-1001	2	ADJUSTER,CHAIN
9	92001-1399	2	BOLT,8X50
10	113N1035	2	BOLT HEX HEAD 10X35
11	461F1000	2	WASHER SPRING 10MM
12	411B1000	2	WASHER PLAIN 10MM
13	461F1000	2	WASHER SPRING 10MM
14	92020-003	2	NUT SHOCK ABSORBER
15	92022-044	2	WASHER-PL-10.5X26X2.3
16	45014-1048	2	SHOCK ABSBR RR
17	45017-015	2	BUSHING,SHCK ABS RUB UPPER
18	45017-012	2	BUSHING, SHCK ABS RUB LOWER
19	45016-008	2	BUSHING,SHOCK ABSORB



Ref #	Part Number	Qty	Description
11012	33035-010	2	CAP,SWING ARM
33001	33001-1049	1	SWING ARM
33032	33032-037	1	SHAFT-SWING ARM PIVOT
33040	33040-1001	2	ADJUSTER,CHAIN
42036	42036-1004	1	SLEEVE,SWING ARM
45014	45014-1090	2	SHOCK ABSBR RR
92001	92001-1399	2	BOLT,8X50
92015	92019-011	1	NUT-LOCK,14MM
92015A	92020-003	2	NUT SHOCK ABSORBER
92022	92022-176	2	WASHER-PLN,10X22X3.2
92027	45016-008	2	BUSHING,SHOCK ABSORB
92028	33033-009	2	BUSHING-SWING ARM
92075	45017-012	2	BUSHING, SHCK ABS RUB
92075A	45017-015	2	BUSHING,SHCK ABS RUB
113	113N1035	2	BOLT HEX HEAD 10X35
318	318B0800	2	NUT 8MM
410	410B1400	1	WASHER PLAIN 14MM
411	411B1000	2	WASHER PLAIN 10MM
461	461F1000	4	WASHER SPRING 10MM

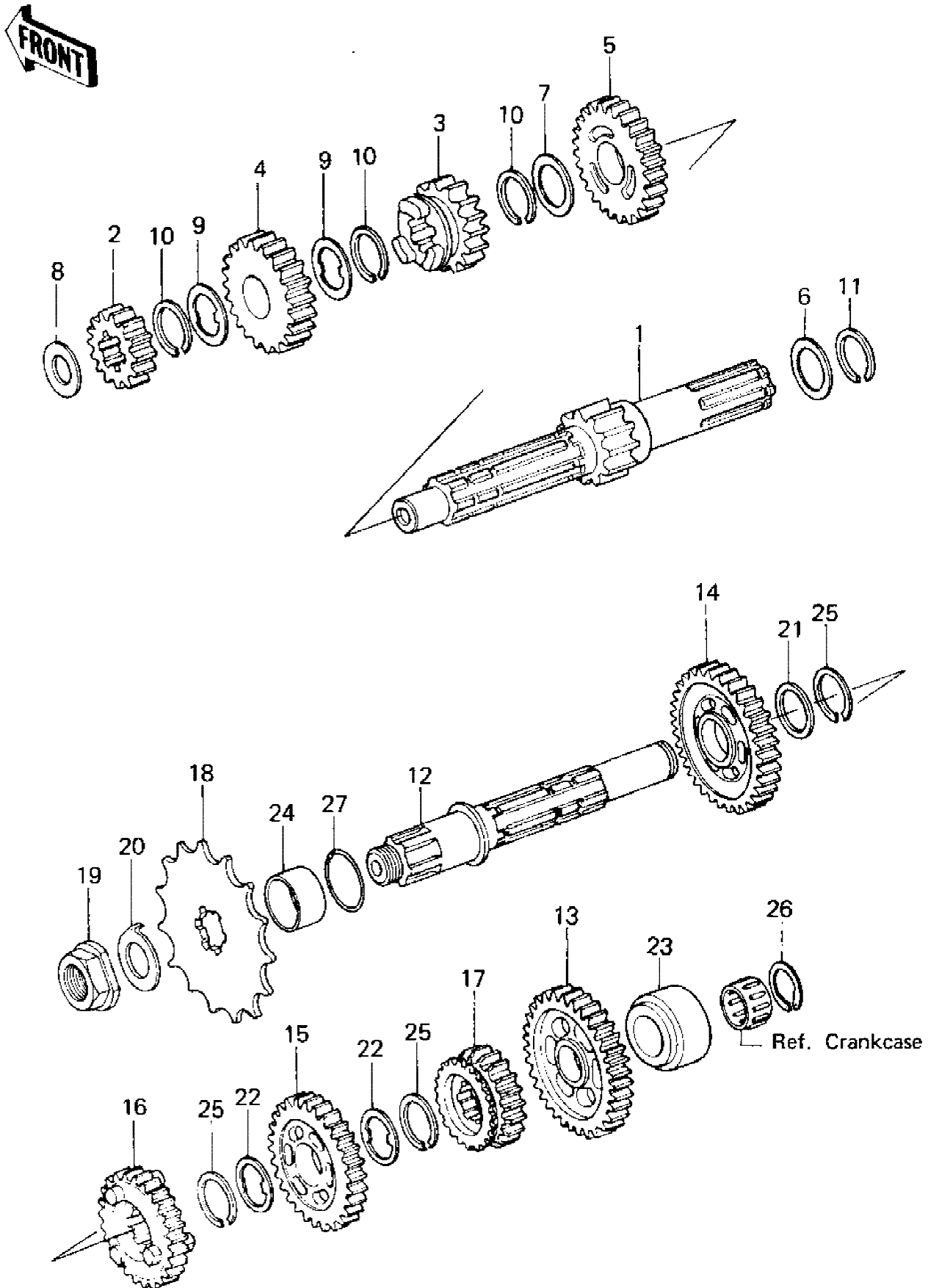
FRONT



Ref #	Part Number	Qty	Description
1	112G0625	3	BOLT-UPSET
2	23025-1033	1	TAIL LAMP UNIT
3	11009-1078	1	GASKET,TAIL LAMP LENS
4	220E0440A	2	SCREW,PAN HEAD,4X40
5	23026-1003	1	LENS,TAIL LAMP
6	23027-1020	1	CASE,TAIL LAMP
7	92069-059	1	BULB,12V 32/3CP
8	23036-1024	1	BRACKET,TAIL LAMP
9	92001-1322	2	BOLT,TAIL LAMP FITTNG
10	92022-1561	2	WASHER,8.5X20X1.6
11	92075-1162	2	DAMPER RUBBER
12	92075-1251	1	DAMPER RUBBER,TAIL
13	35039-004	1	DAMPER RUBBER,RR FEND
14	461F0600	3	WASHER SPRING 6MM
15	92022-125	3	WASHER 6.5X20X1.6T
16	92027-156	3	COLLAR 6.8X10X14.5
17	92075-121	3	DAMPER RUBBER,RR FEND

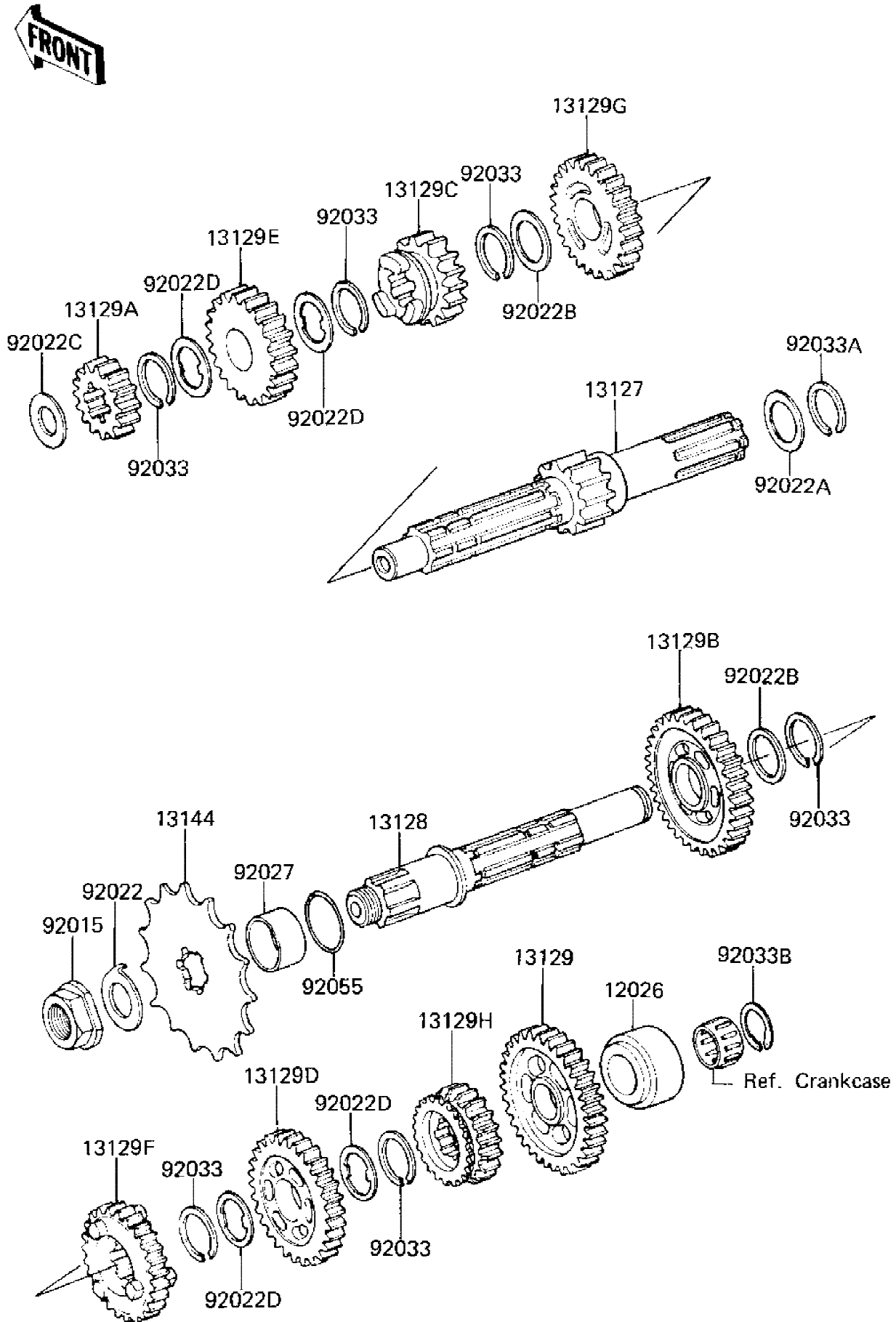
There is no diagram for this group. It has a parts list only. Press F11 to see the parts list.

Ref #	Part Number	Qty	Description
11009	11009-1078	1	GASKET, TAIL LAMP LENS
23025	23025-1033	1	TAIL LAMP UNIT
23026	23026-1003	1	LENS, TAIL LAMP
23027	23027-1020	1	CASE, TAIL LAMP
23036	23036-1024	1	BRACKET, TAIL LAMP
92001	92001-1322	2	BOLT, TAIL LAMP FITTING
92022	92022-125	3	WASHER 6.5X20X1.6T
92022A	92022-1561	2	WASHER, 8.5X20X1.6
92027	92027-156	3	COLLAR 6.8X10X14.5
92069	92069-059	1	BULB, 12V 32/3CP
92075	35039-004	1	DAMPER RUBBER, RR FEND
92075A	92075-1162	2	DAMPER RUBBER
92075B	92075-121	3	DAMPER RUBBER, RR FEND
92075C	92075-1251	1	DAMPER RUBBER, TAIL
1110	112G0625	3	BOLT-UPSET
220	220R0440	2	SCREW-PAN-CROS, 4X40
461	461F0600	3	WASHER SPRING 6MM

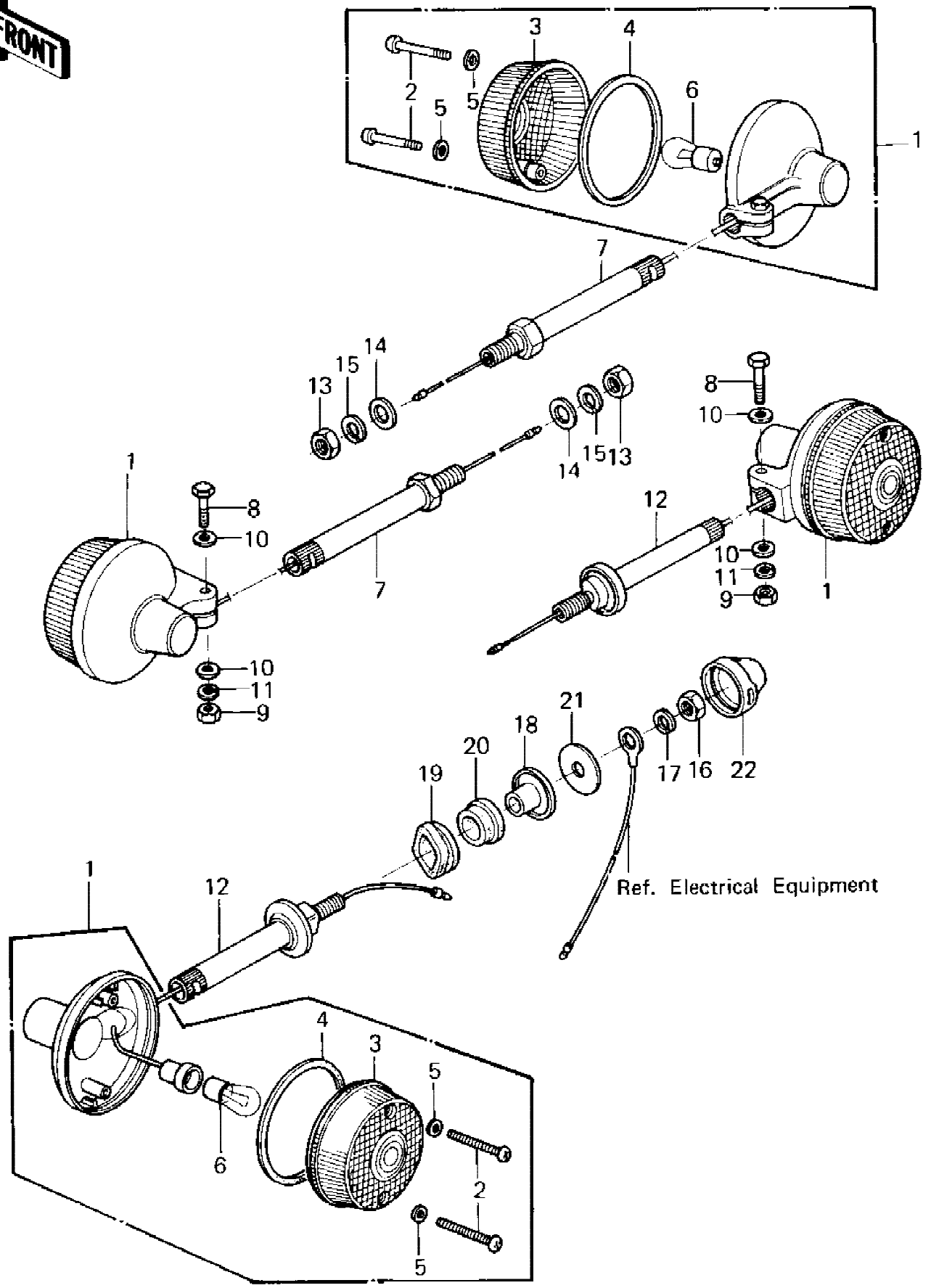


Ref #	Part Number	Qty	Description
1	13127-1029	1	SHAFT,DRIVE
2	13129-1022	1	2ND GEAR,DRIVE SHAFT 15T
3	13129-1284	1	GEAR,INPUT,3RD,20T 20T
4	13134-026	1	4TH GEAR,DRIVE SHAFT 20T
5	13136-057	1	TOP GEAR,DRIVE SHAFT 21T
6	92022-112	1	WASHER THRUST
7	92022-198	1	WASHER-PLAIN
8	92022-279	1	WASHER,THRUST,15MM
9	92024-039	2	WASHER-LOCK
10	92033-025	3	CIRCLIP,25MM
11	92033-029	1	CIRCLIP,18MM
12	13128-1007	1	SHAFT,OUTPUT
13	13129-058	1	LOW GEAR,OUTPUT SHAFT 29T
14	13131-044	1	2ND GEAR,OUTPUT 26T 26T
15	13133-044	1	3RD GEAR,OUTPUT SHAFT 26T
16	13129-1285	1	GEAR,OUTPUT 4TH,21T 24T
17	13137-037	1	TOP GEAR,OUTPUT SHAFT 19T
18	13144-069	1	ENGINE SPROCKET,15T
19	92015-1013	1	NUT,LOCK,16M/M
20	92022-1017	1	WASHER,LOCK
21	92022-198	1	WASHER-PLAIN
22	92024-039	2	WASHER-LOCK
23	92026-1061	1	SPACER,DRIVE SHAFT
24	92027-287	1	COLLAR,ENGINE SPROCKET
25	92033-025	3	CIRCLIP,25MM
26	92033-032	1	CIRCLIP,16MM
27	92055-022	1	"O" RING

E1361-0005



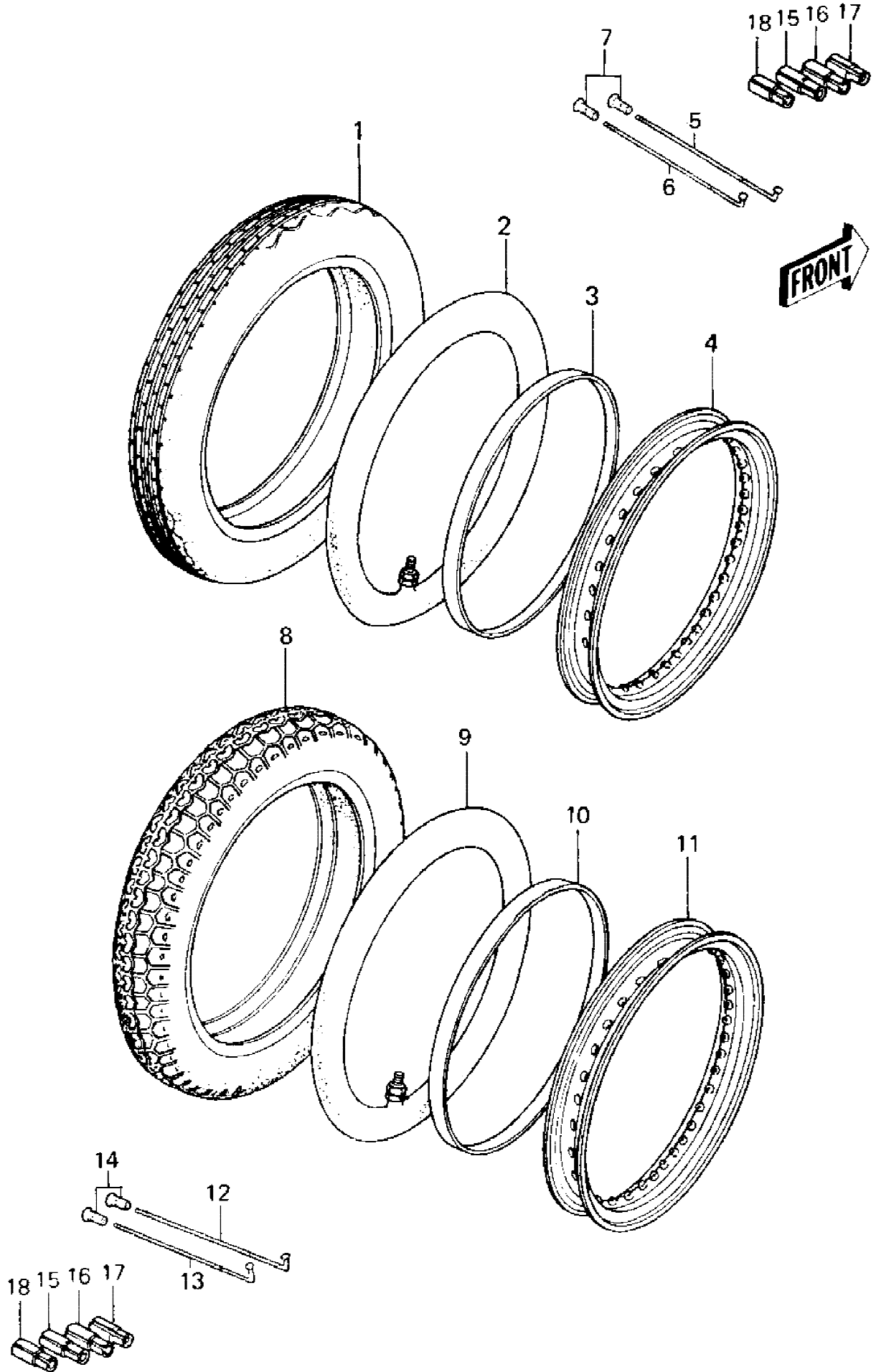
Ref #	Part Number	Qty	Description
13127	13127-1029	1	SHAFT,DRIVE
13128	13128-1007	1	SHAFT,OUTPUT
13129	13129-058	1	LOW GEAR,OUTPUT SHAFT
13129A	13129-1022	1	2ND GEAR,DRIVE SHAFT
13129B	13131-044	1	2ND GEAR,OUTPUT 26T
13129C	13129-1284	1	GEAR,INPUT,3RD,20T
13129D	13133-044	1	3RD GEAR,OUTPUT SHAFT
13129E	13134-026	1	4TH GEAR,DRIVE SHAFT
13129F	13129-1285	1	GEAR,OUTPUT 4TH,21T
13129G	13136-057	1	TOP GEAR,DRIVE SHAFT
13129H	13137-037	1	TOP GEAR,OUTPUT SHAFT
13144	13144-069	1	ENGINE SPROCKET,15T
92015	92015-1013	1	NUT,LOCK,16M/M
92022	92022-1017	1	WASHER,LOCK
92022A	92022-112	1	WASHER THRUST
92022B	92022-198	2	WASHER-PLAIN
92022C	92022-279	1	WASHER,THRUST,15MM
92022D	92024-039	4	WASHER-LOCK
92026	92026-1061	1	SPACER,DRIVE SHAFT
92027	92027-287	1	COLLAR,ENGINE SPROCKT
92033	92033-025	6	CIRCLIP,25MM
92033A	92033-029	1	CIRCLIP,18MM
92033B	92033-032	1	CIRCLIP,16MM
92055	92055-022	1	"O" RING



Ref #	Part Number	Qty	Description
1	23040-1024	4	LAMP,FRNT TURN SIGNAL
2	220E0420A	8	SCREW-PAN HEAD,4X20
3	23048-1001	4	LENS,TURN SIGNAL LAMP
4	23050-003	4	GASKET-SIG LAMP LENS
5	23058-002	8	WASHER-PLAIN,4MM
6	92069-055	4	BULB 12V 32CP
7	23051-1024	2	BRACKET,SIGNAL LAMP
8	112G0630	4	BOLT-UPSET
9	311B0600	4	NUT 6MM
10	411B0600	8	WASHER, PLAIN, 6 M/M
11	461F0600	4	WASHER SPRING 6MM
12	23051-1014	2	BRACKET,TURN SIGNAL
13	315B1000	2	NUT 10MM
14	411D1000	2	WASHER-PLAIN,10MM
15	461F1000	2	WASHER SPRING 10MM
16	315B1000	2	NUT 10MM
17	461F1000	2	WASHER SPRING 10MM
18	92027-147	2	COLLAR
19	92075-128	2	DAMPER RUBBER
20	92075-158	2	DAMPER RUBBER,SIG LM
21	92022-327	2	WASHER,PLAIN
22	92073-036	2	RUBBER CAP

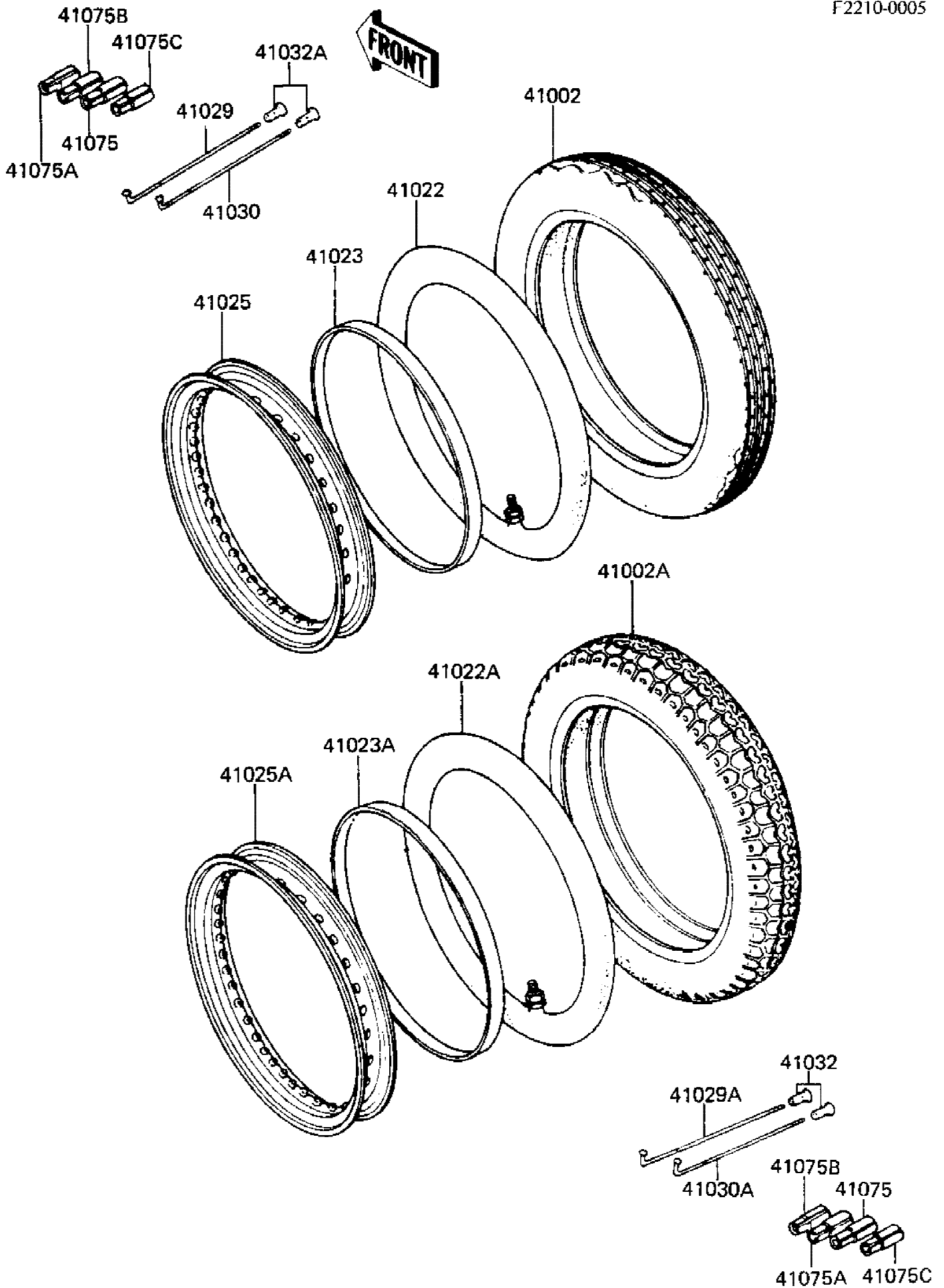
There is no diagram for this group. It has a parts list only. Press F11 to see the parts list.

Ref #	Part Number	Qty	Description
11009	23050-003	4	GASKET-SIG LAMP LENS
23040	23040-054	4	LAMP,TURN SIGNAL
23048	23048-1001	4	LENS,TURN SIGNAL LAMP
23051	23051-1014	2	BRACKET,TURN SIGNAL
23051A	23051-1024	2	BRACKET,SIGNAL LAMP
92027	92027-147	2	COLLAR
92069	92069-055	4	BULB 12V 32CP
92075	23058-002	8	WASHER-PLAIN,4MM
92075A	92075-128	2	DAMPER RUBBER
92075B	92075-158	2	DAMPER RUBBER,SIG LM
110	112G0630	4	BOLT-UPSET
220	220E0420A	8	SCREW-PAN HEAD,4X20
311	311B0600	4	NUT 6MM
315	315B1000	4	NUT 10MM
411	411B0600	8	WASHER PLAIN 6MM
411A	411D1000	2	WASHER-PLAIN,10MM
461	461F0600	4	WASHER SPRING 6MM
461A	461F1000	4	WASHER SPRING 10MM



Ref #	Part Number	Qty	Description
1	41002-1570	1	TIRE Y954
2	41022-032	1	TUBE 250/275-18
3	41023-001	1	BAND RIM FRONT
4	41025-1020	1	RIM,1.60X18
5	41029-1025	18	SPOKE,FR INNER 102 X 162
6	41030-1020	18	SPOKE,FR OUTER 82 X 161
7	41032-1055	36	NIPPLE-SPOKE
8	41002-1090	1	TIRE 460S-16 Y987 R Y987
9	41022-1025	1	TUBE 460-16
10	41023-1011	1	BAND,RIM REAR
11	41025-1021	1	RIM,2.15X16
12	41029-1026	18	SPOKE,RR INNER 98 X 139
13	41030-1021	18	SPOKE,RR OUTER 80 X 138
14	41032-022	36	NIPPLE,SPOKE
15	41075-1007	AR	WEIGHT,BALANCE,10G
16	41075-1008	AR	WEIGHT,BALANCE,20G
17	41075-1009	AR	WEIGHT,BALANCE,30G
18	41075-1010	AR	WEIGHT,BALANCE,5G

F2210-0005



Ref #	Part Number	Qty	Description
41002	41002-1570	1	TIRE
41002A	41002-1090	1	TIRE 460S-16 Y987 R
41022	41022-032	1	TUBE 250/275-18
41022A	41022-1025	1	TUBE 460-16
41023	41023-001	1	BAND RIM
41023A	41023-1011	1	BAND,RIM
41025	41025-1020	1	RIM,1.60X18
41025A	41025-1021	1	RIM,2.15X16
41029	41029-1025	18	SPOKE,FR INNER
41029A	41029-1026	18	SPOKE,RR INNER
41030	41030-1020	18	SPOKE,FR OUTER
41030A	41030-1021	18	SPOKE,RR OUTER
41032	41032-022	36	NIPPLE,SPOKE
41032A	41032-1055	36	NIPPLE-SPOKE
41075	41075-1007	AR	WEIGHT,BALANCE,10G
41075A	41075-1008	AR	WEIGHT,BALANCE,20G
41075B	41075-1009	AR	WEIGHT,BALANCE,30G
41075C	41075-1010	AR	WEIGHT,BALANCE,5G